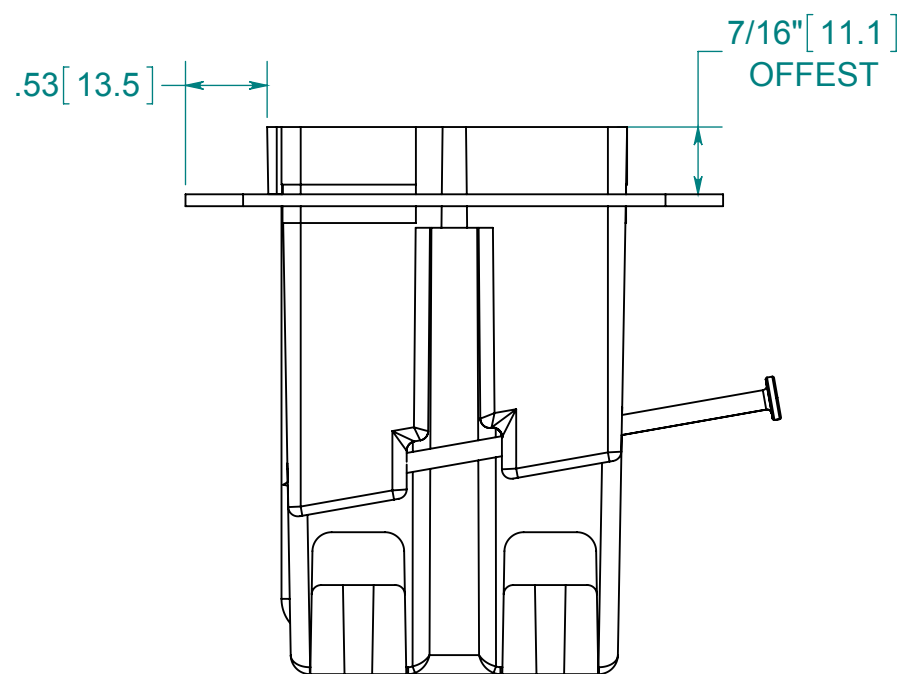
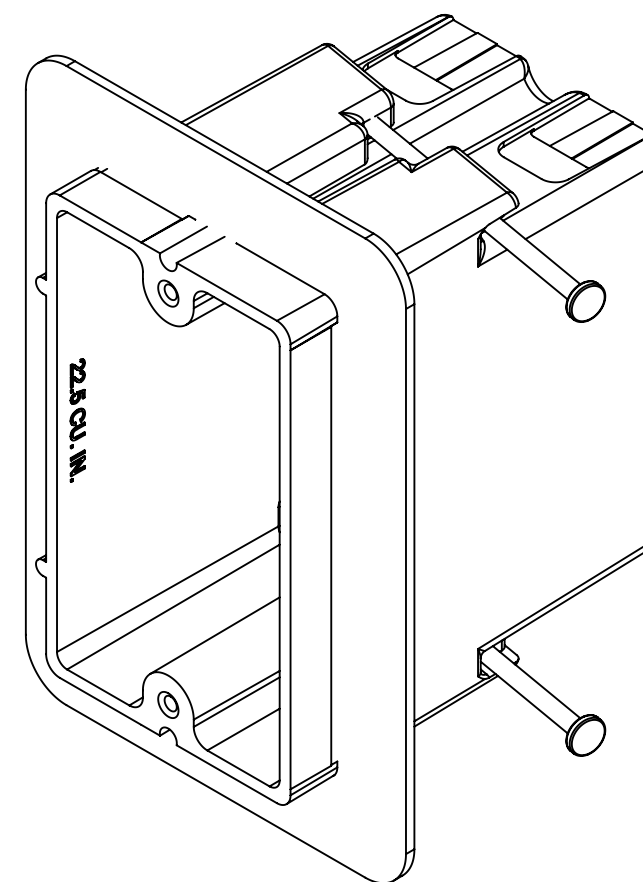
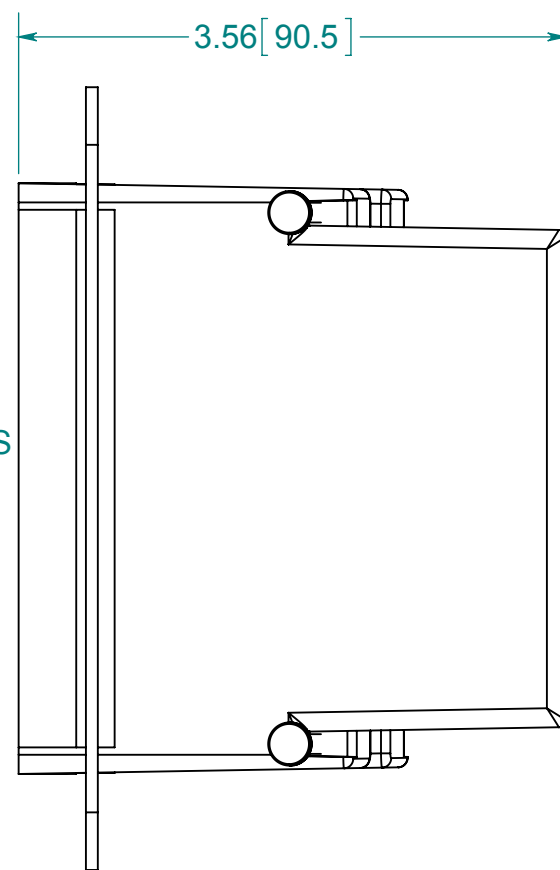
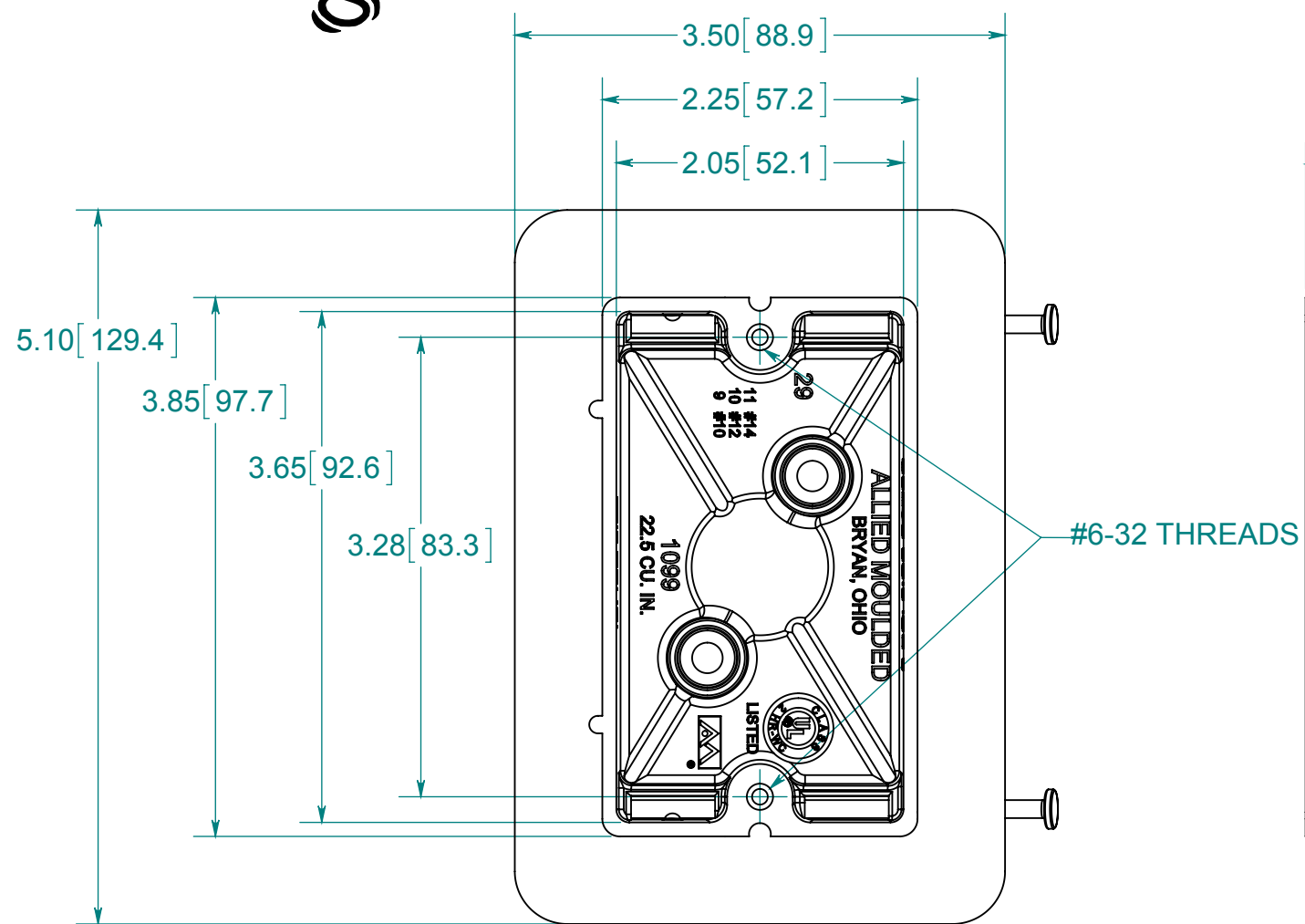


fiberglass BOX™

ISSUE DATE: 12/15/2014



NOTES:

- 1.) BOX MATERIAL: FIBERGLASS REINFORCED POLYESTER, NAIL MATERIAL: PLATED CARBON STEEL, FLANGE MATERIAL: POLYURETHANE
- 2.) UL LISTED WITH 2 HOUR FIRE RATING FOR WALL AND CEILING



® **ALLIED MOULDED PRODUCTS**
BRYAN, OHIO

The Original Fiber Glass Outlet Box

PRODUCT SERIES

VAPOR SEAL SINGLE GANG 22.5 CU.IN.

Part No.

1099-NV

CONFIDENTIAL

THIS MATERIAL IS OWNED BY THE ALLIED MOULDED PRODUCTS COMPANY, IS DISCLOSED IN CONFIDENCE, AND IS NOT TO BE REPRODUCED OR DISTRIBUTED WITHOUT PRIOR WRITTEN PERMISSION FROM ALLIED MOULDED PRODUCTS.