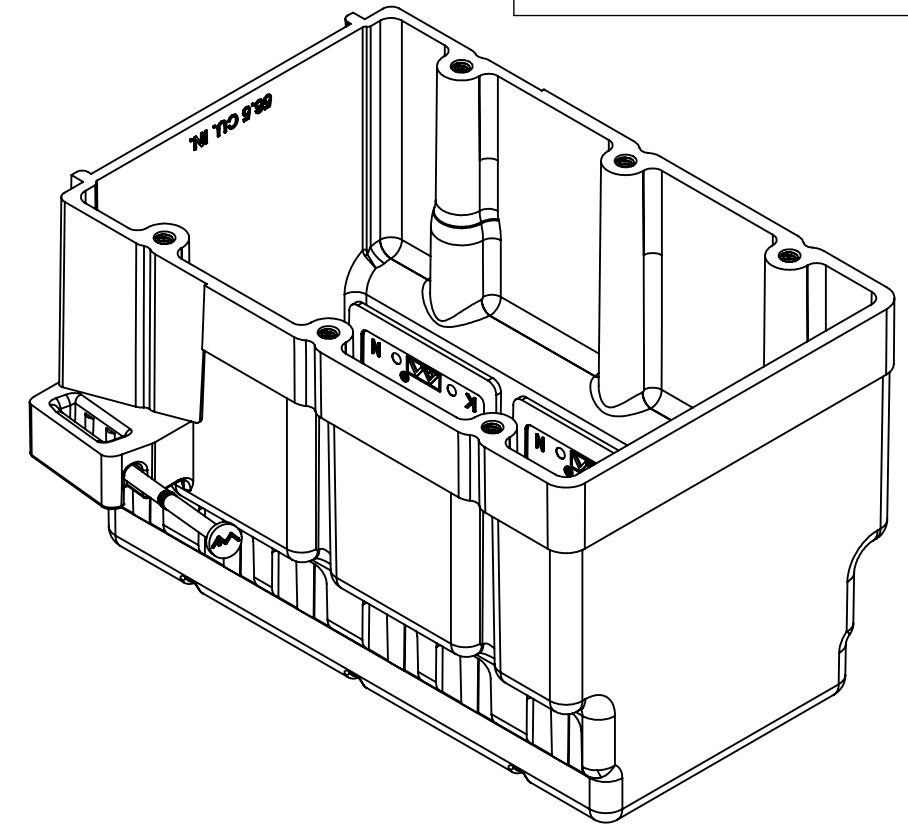
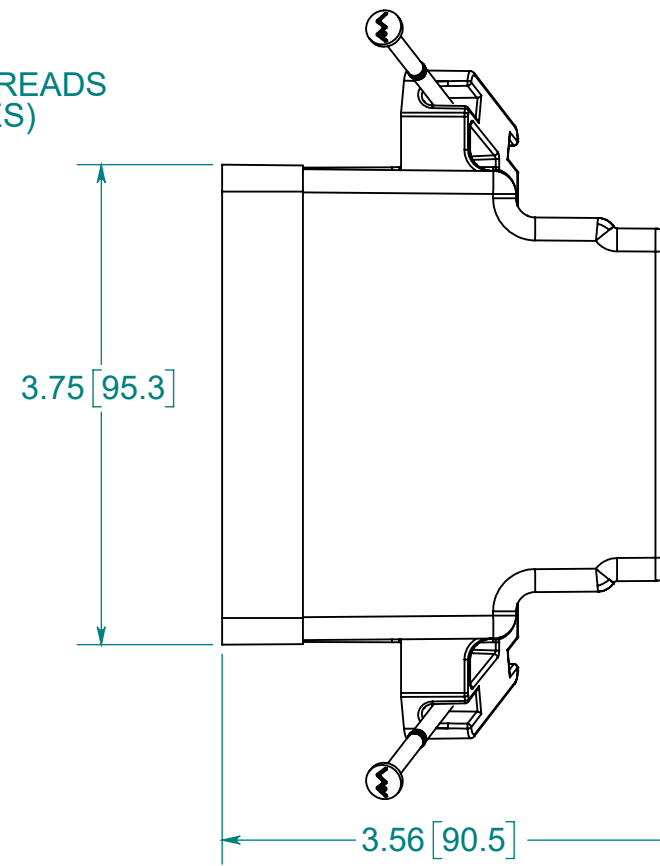
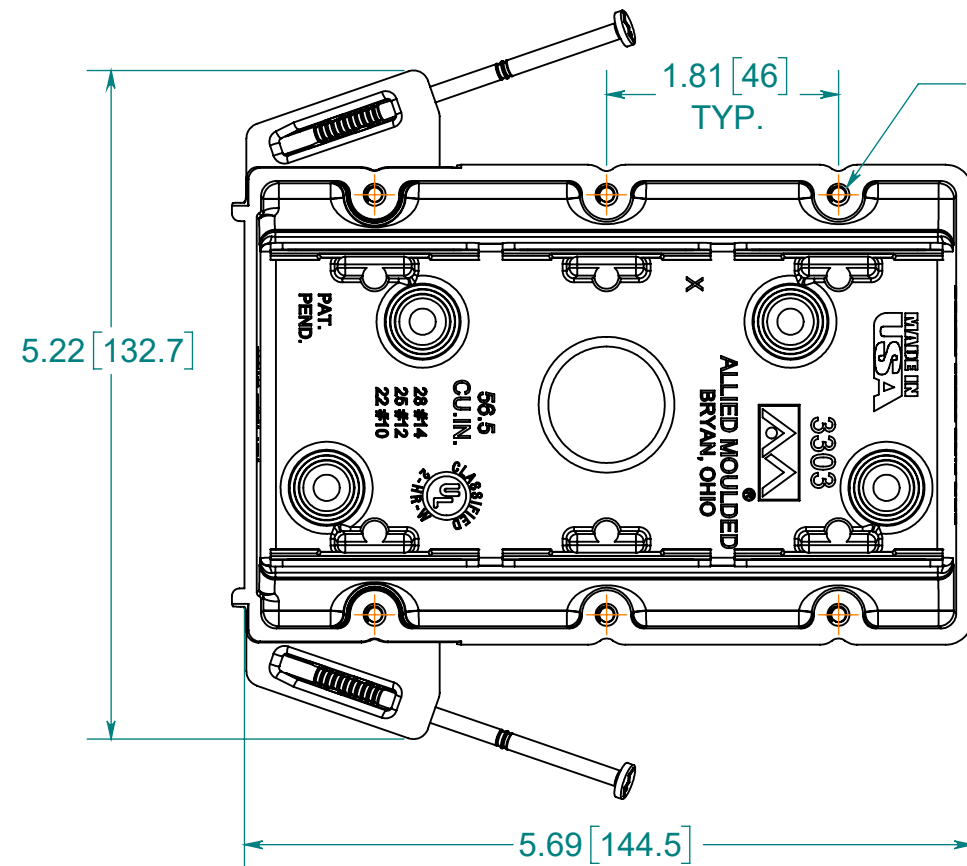


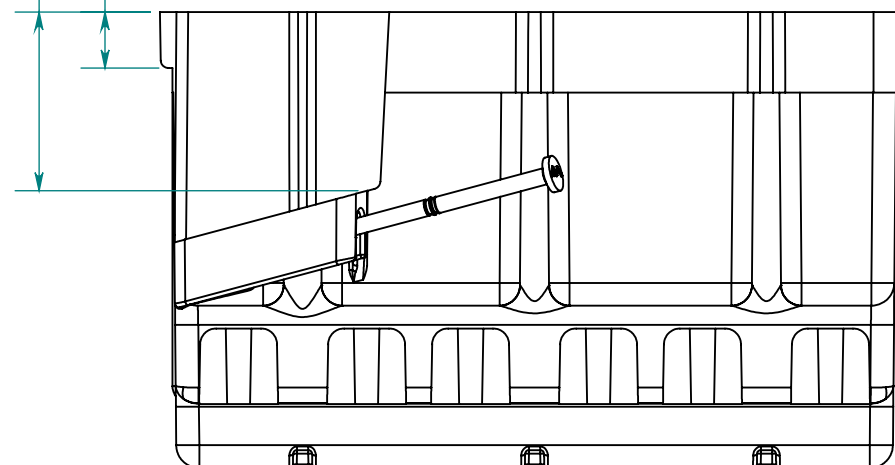
fiberglass BOX™

ISSUE DATE: 04/23/2026



1 3/8" [34.9] MAX.
SUBSTRATE OFFSET

7/16" [11.1]
OFFSET RIB



NOTES:

1. MATERIALS:
BOX: FIBERGLASS REINFORCED POLYESTER
NAIL: PLATED CARBON STEEL
SPEED "K" KLAMP: PVC
2. UL LISTED WITH 2 HOUR FIRE RATING FOR WALL
3. (6) SPEED "K" KLAMPS FACTORY INSTALLED
4. DIMENSIONS ARE FOR REFERENCE ONLY AND SUBJECT TO CHANGE WITHOUT NOTICE.



® **ALLIED MOULDED PRODUCTS**
BRYAN, OHIO

The Original Fiber Glass Outlet Box

PRODUCT SERIES

**THREE GANG 56.5 CU IN
W/ NAILS & "K" KLAMPS**

Part No.

3303-NK

CONFIDENTIAL

THIS MATERIAL IS OWNED BY THE ALLIED MOULDED PRODUCTS COMPANY, IS DISCLOSED IN CONFIDENCE AND IS NOT TO BE REPRODUCED OR DISTRIBUTED WITHOUT PRIOR WRITTEN PERMISSION FROM ALLIED MOULDED PRODUCTS.

© Allied Moulded Products, Inc.
2018 All Rights Reserved