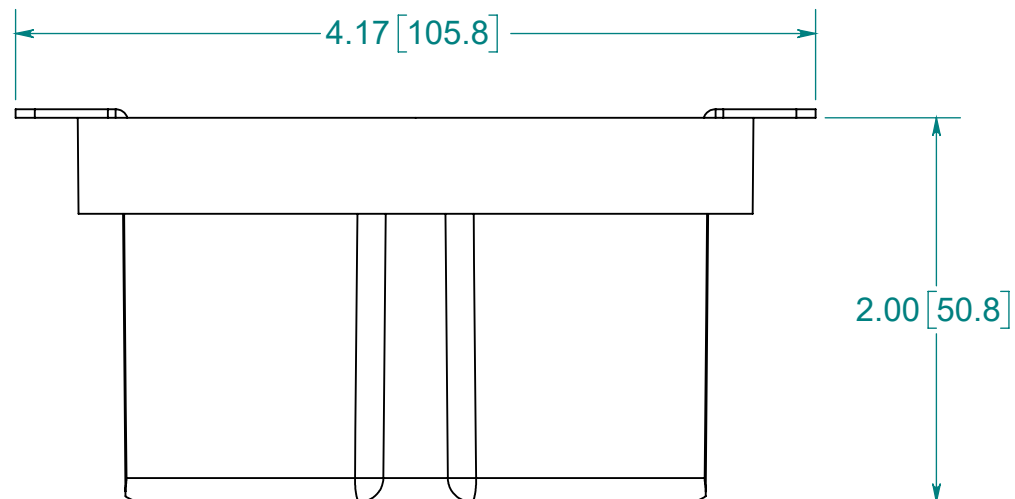
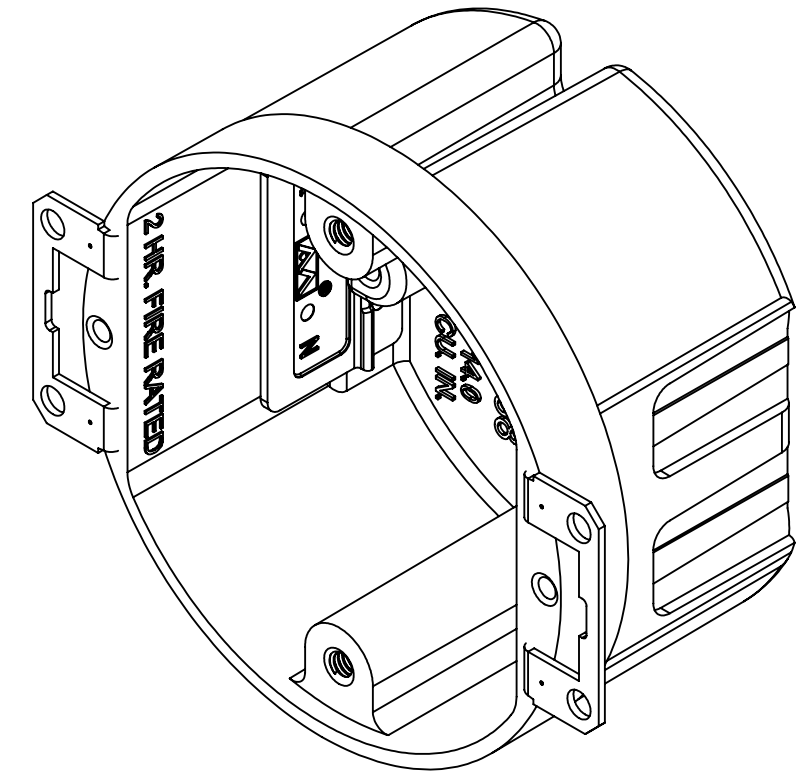
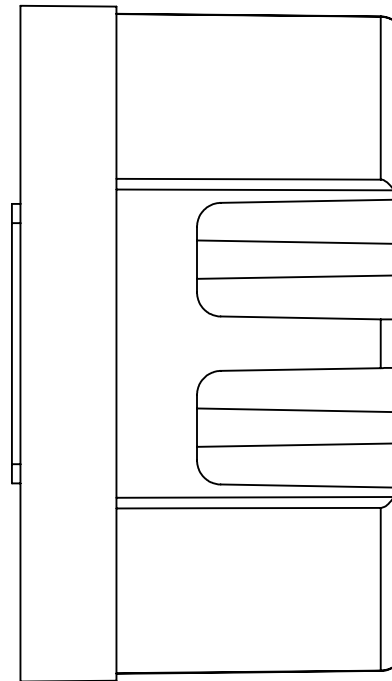
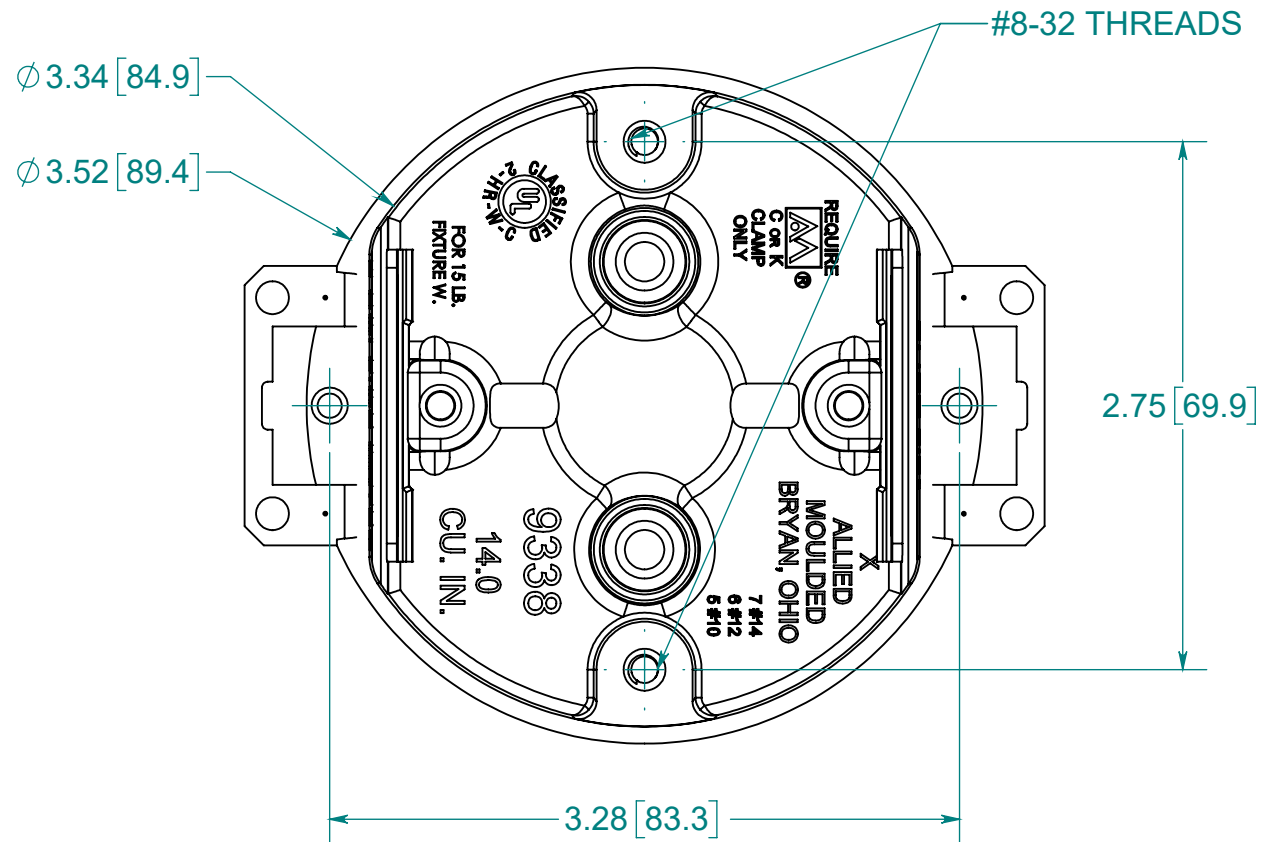


# fiberglass BOX™

ISSUE DATE: 10/02/2024



**NOTES:**

- 1.) MATERIALS:  
 BOX: FIBERGLASS REINFORCED POLYESTER  
 EARS: GALVANIZED STEEL  
 SPEED KLAMP: PVC
- 2.) UL LISTED WITH 2 HOUR FIRE RATING FOR WALL AND CEILING
- 3.) 2 SPEED KLAMPS FACTORY INSTALLED
- 4.) DIMENSIONS ARE FOR REFERENCE ONLY AND SUBJECT TO CHANGE WITHOUT NOTICE


**ALLIED MOULDED PRODUCTS**  
 BRYAN, OHIO  
 The Original Fiber Glass Outlet Box

PRODUCT SERIES  
 3-1/2" DIA. OLD WORK 14 CU. IN.  
 W/ EARS & SPEED KLAMPS

Part No.

**9338-EK**

**CONFIDENTIAL**

THIS MATERIAL IS OWNED BY THE ALLIED MOULDED PRODUCTS COMPANY, IS DISCLOSED IN CONFIDENCE, AND IS NOT TO BE REPRODUCED OR DISTRIBUTED WITHOUT PRIOR WRITTEN PERMISSION FROM ALLIED MOULDED PRODUCTS.