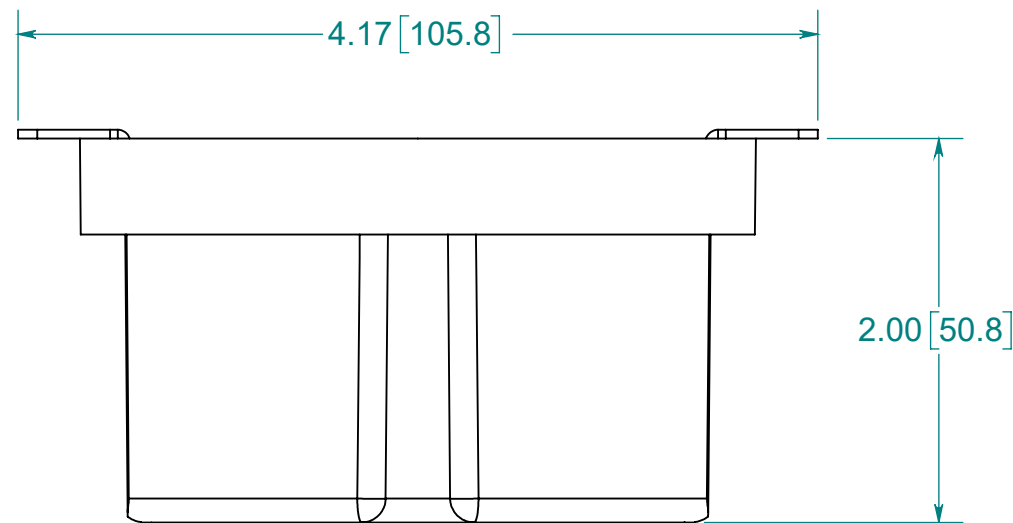
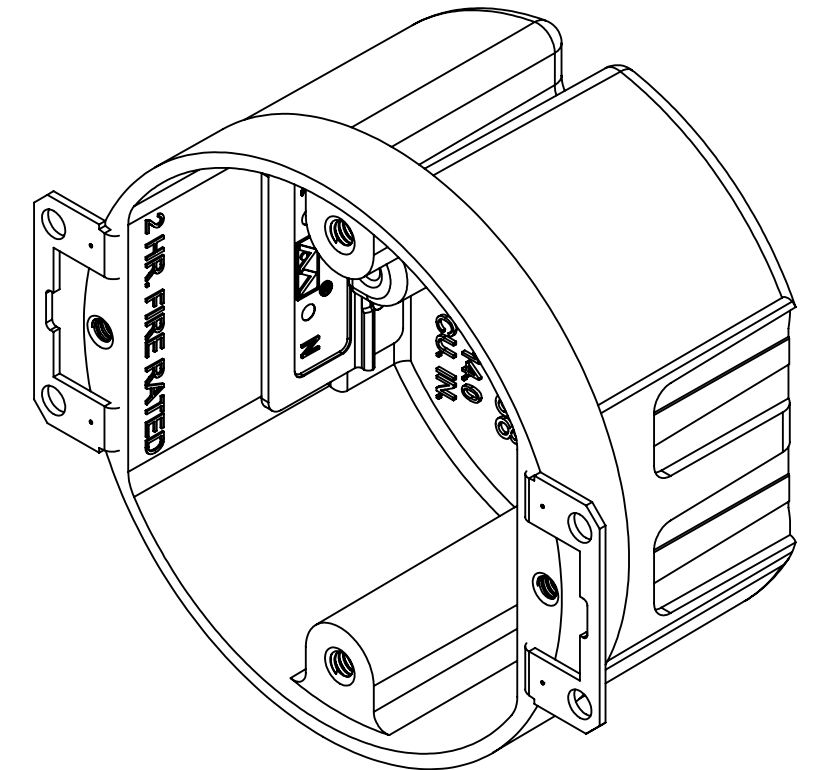
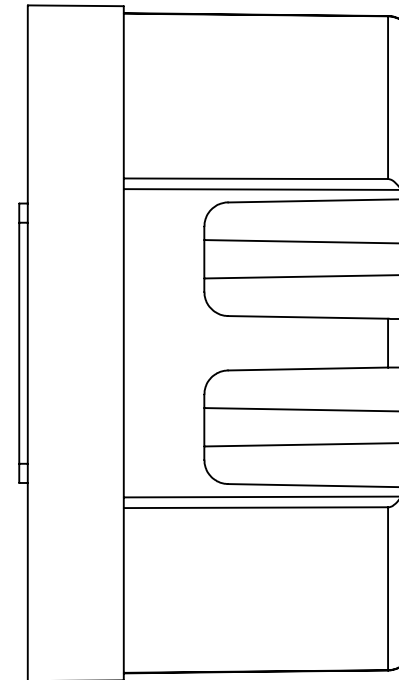
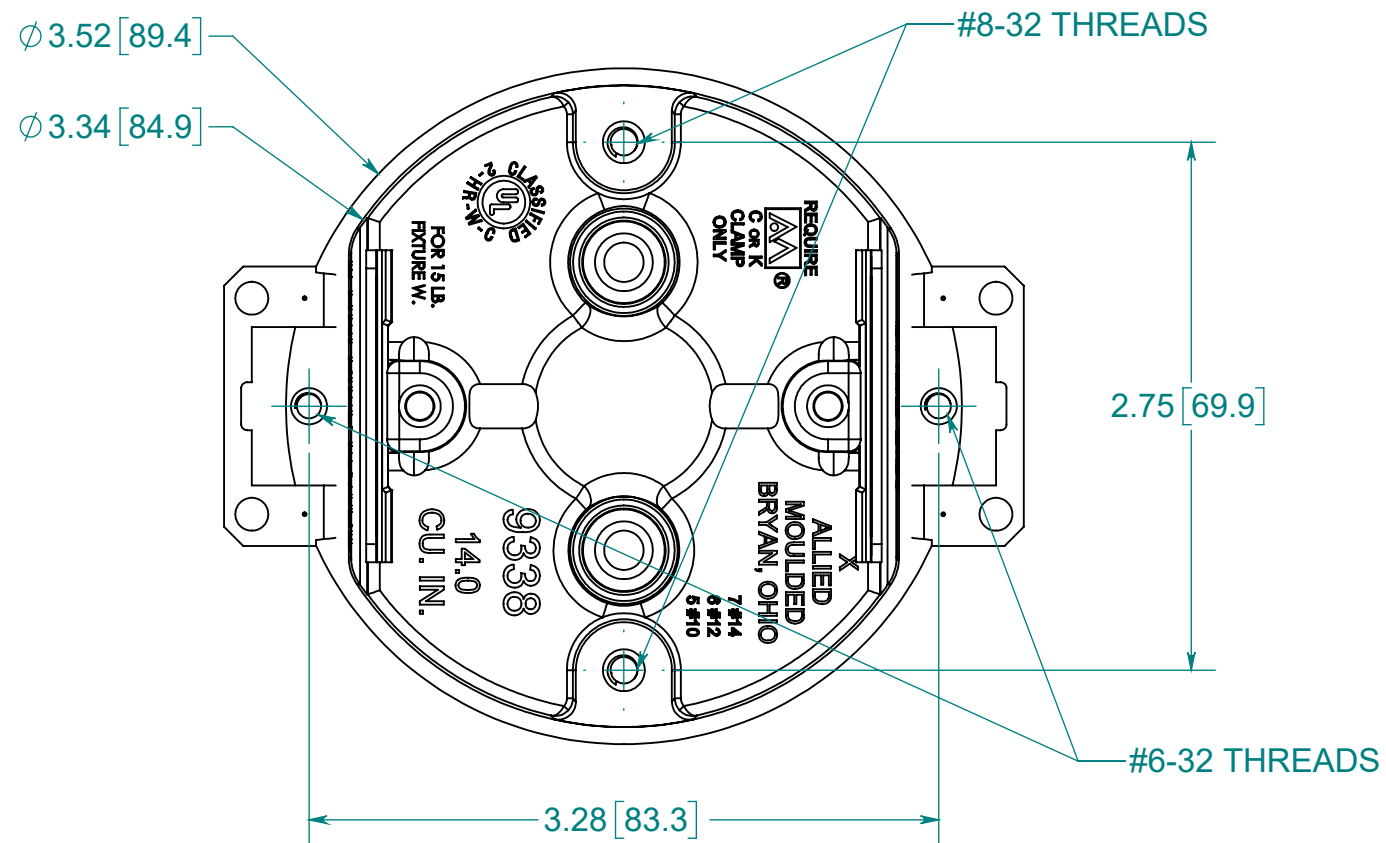


fiberglass BOX™

ISSUE DATE: 10/02/2024



NOTES:

- 1.) MATERIALS:
 BOX: FIBERGLASS REINFORCED POLYESTER
 EARS: GALVANIZED STEEL
 SPEED KLAMP: PVC
- 2.) UL LISTED WITH 2 HOUR FIRE RATING FOR WALL AND CEILING
- 3.) 2 SPEED KLAMPS FACTORY INSTALLED
- 4.) DIMENSIONS ARE FOR REFERENCE ONLY AND SUBJECT TO CHANGE WITHOUT NOTICE



® **ALLIED MOULDED PRODUCTS**
BRYAN, OHIO

The Original Fiber Glass Outlet Box

PRODUCT SERIES

3-1/2" DIA. OLD WORK 14 CU. IN.
 W/ EARS & SPEED KLAMPS

Part No.

9338-EKT

CONFIDENTIAL

THIS MATERIAL IS OWNED BY THE ALLIED MOULDED PRODUCTS COMPANY, IS DISCLOSED IN CONFIDENCE, AND IS NOT TO BE REPRODUCED OR DISTRIBUTED WITHOUT PRIOR WRITTEN PERMISSION FROM ALLIED MOULDED PRODUCTS.