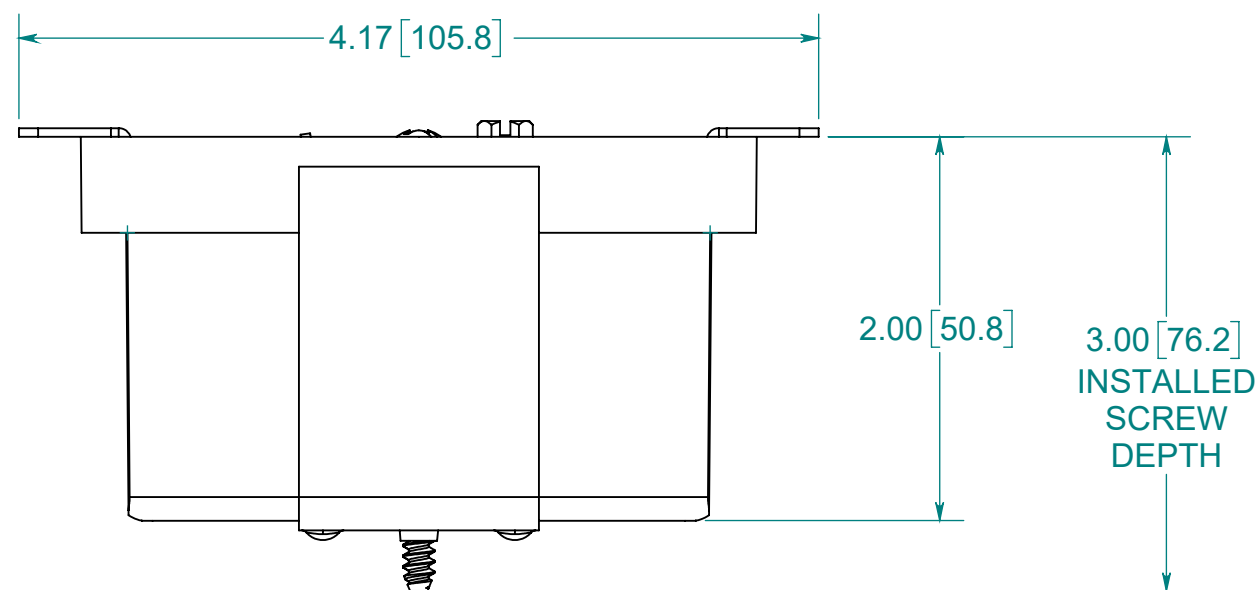
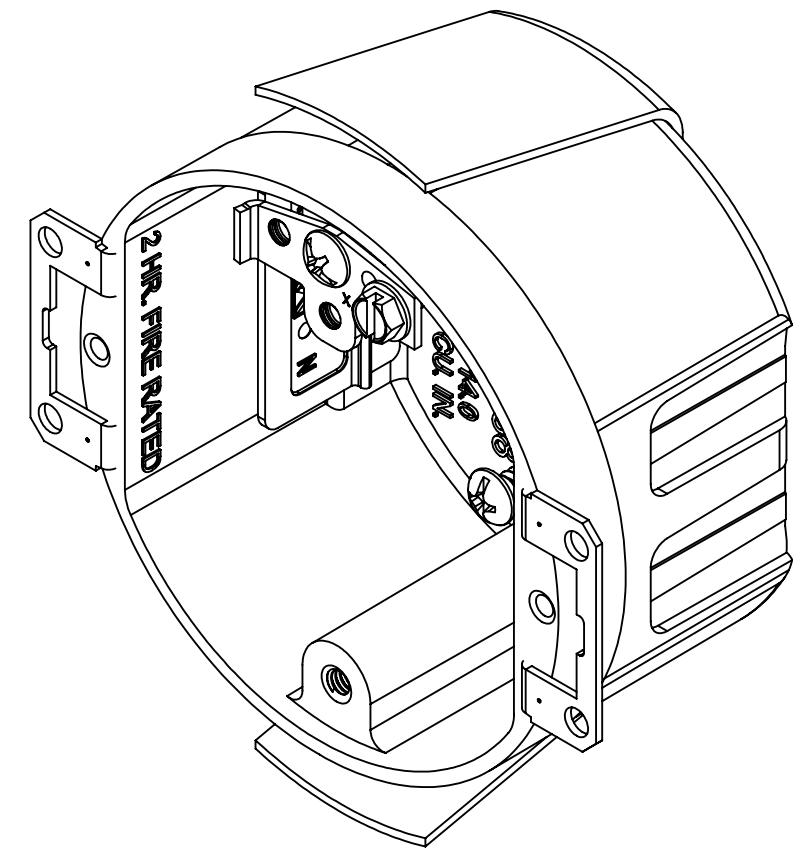
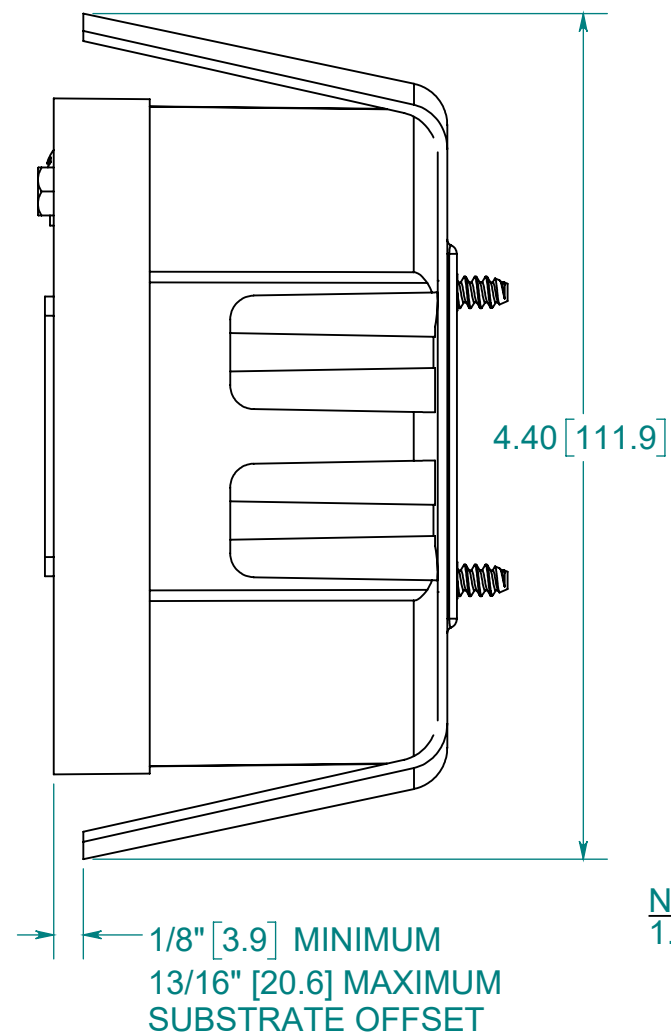
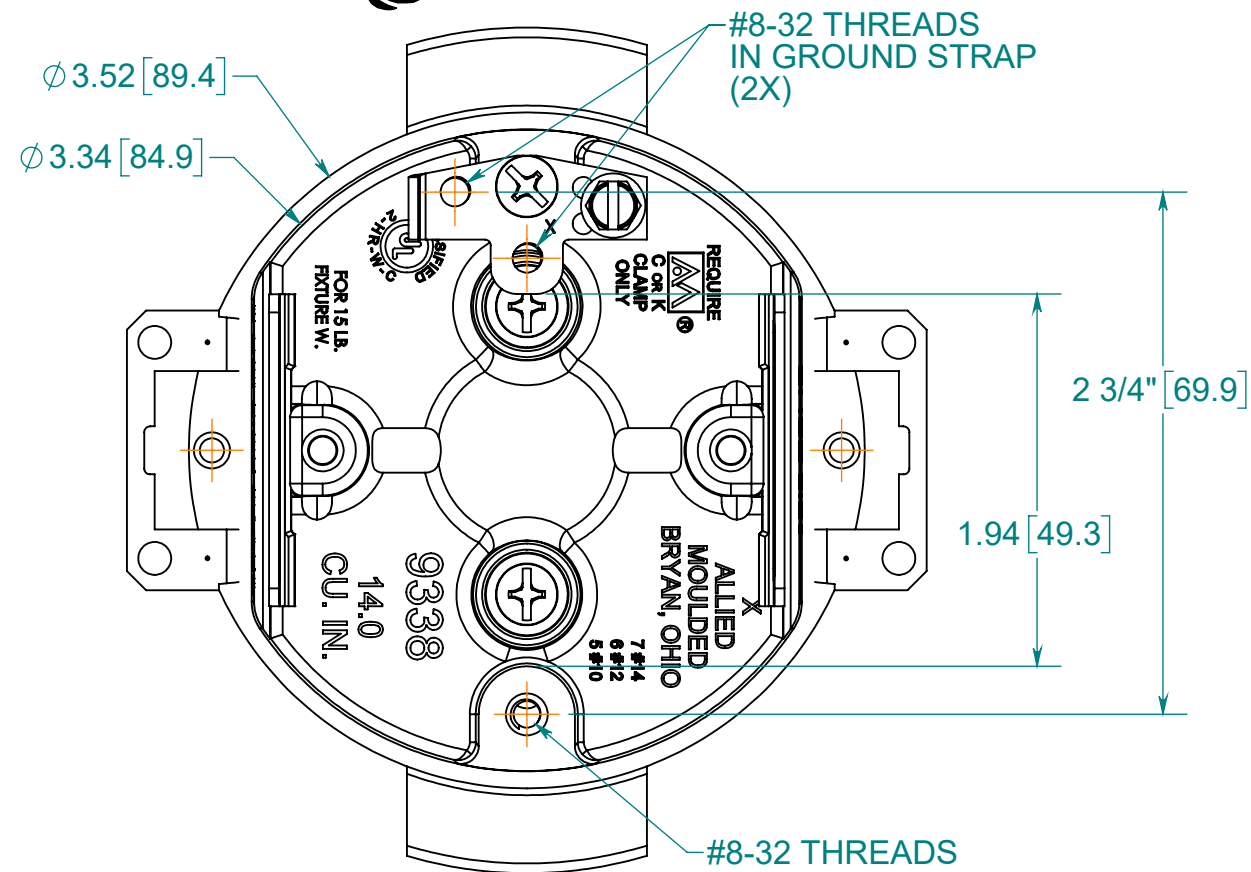


# fiberglass BOX™

ISSUE DATE: 08/27/2025



**NOTES:**

- MATERIALS:**  
 BOX: FIBERGLASS REINFORCED POLYESTER  
 EARS: GALVANIZED STEEL  
 SNAP BRACKET: GALVANIZED STEEL  
 SNAP BRACKET SCREW: ZINC PLATED STEEL  
 GROUND STRAP: GALVANIZED STEEL  
 GROUND STRAP MOUNTING SCREW: ZINC PLATED STEEL  
 GROUND SCREW: GREEN ZINC PLATED STEEL  
 SPEED "K" KLAMP: PVC
- UL LISTED WITH 2 HOUR FIRE RATING FOR WALL AND CEILING
- 2 SPEED "K" KLAMPS FACTORY INSTALLED
- DIMENSIONS ARE FOR REFERENCE ONLY AND SUBJECT TO CHANGE WITHOUT NOTICE



**ALLIED MOULDED PRODUCTS**  
 BRYAN, OHIO

The Original Fiber Glass Outlet Box

PRODUCT SERIES

3.5" DIA. - 14 CU. IN. OLD WORK W/  
 EARS, SNAP, GROUND & "K" KLAMPS

Part No.

**9338-ESGK**

**CONFIDENTIAL**

THIS MATERIAL IS OWNED BY THE ALLIED MOULDED PRODUCTS COMPANY, IS DISCLOSED IN CONFIDENCE AND IS NOT TO BE REPRODUCED OR DISTRIBUTED WITHOUT PRIOR WRITTEN PERMISSION FROM ALLIED MOULDED PRODUCTS.

© Allied Moulded Products, Inc.  
 2018 All Rights Reserved