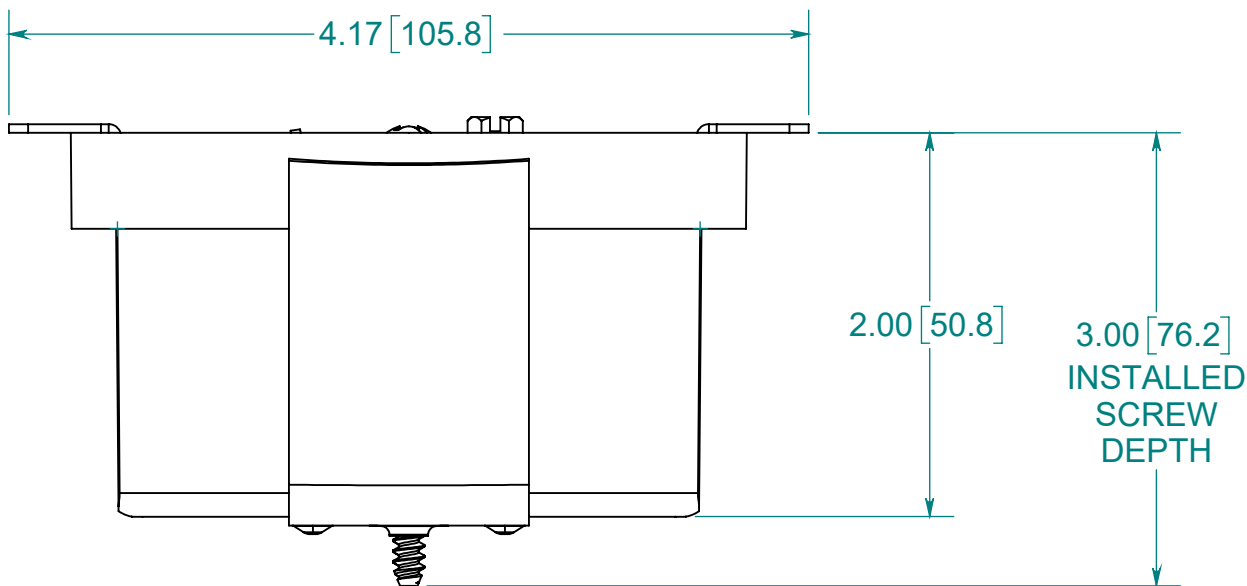
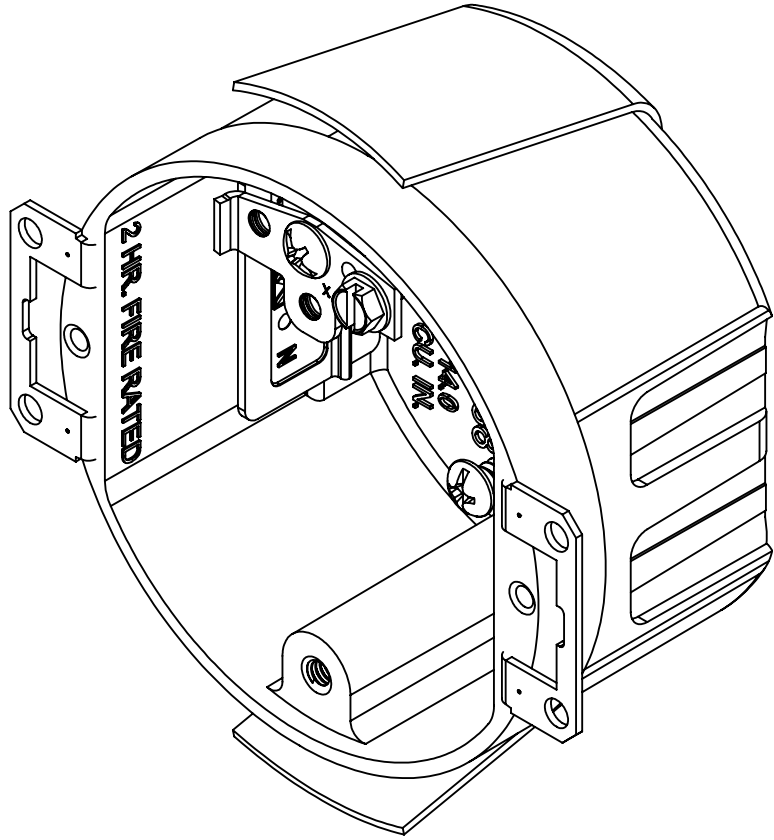
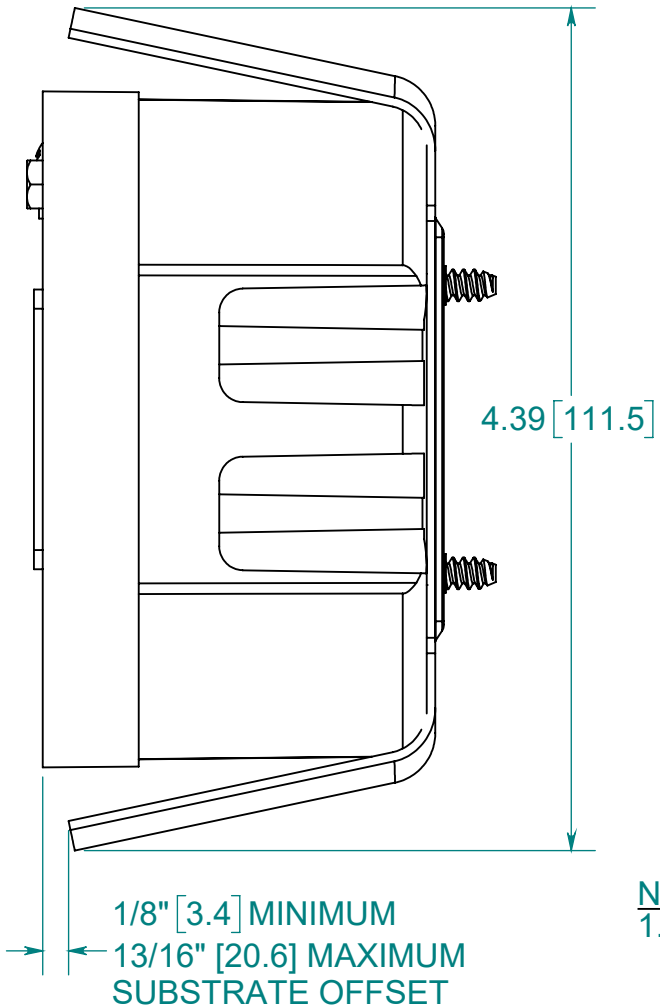
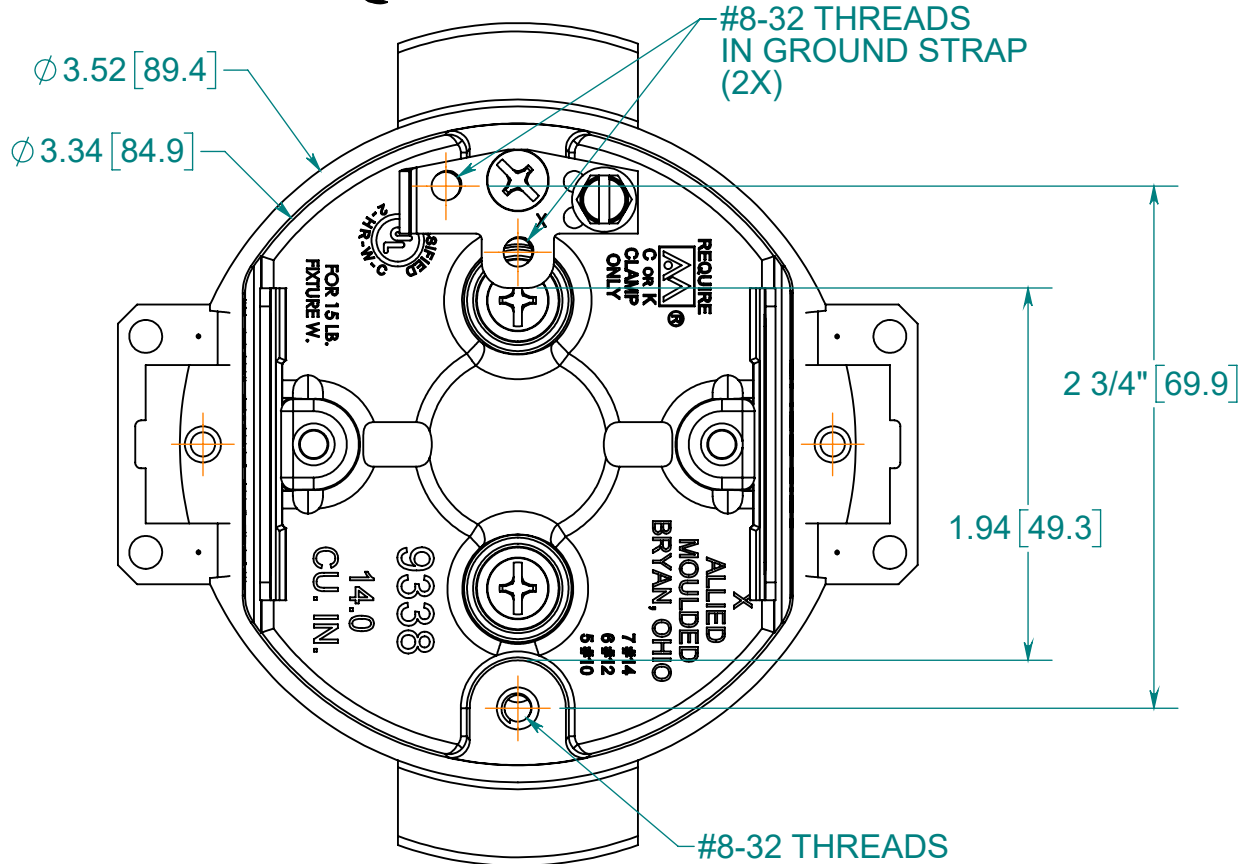


fiberglass BOX™



NOTES:

- MATERIALS:**
 BOX: FIBERGLASS REINFORCED POLYESTER
 EARS: GALVANIZED STEEL
 SNAP BRACKET: GALVANIZED STEEL
 SNAP BRACKET SCREW: ZINC PLATED STEEL
 GROUND STRAP: GALVANIZED STEEL
 GROUND STRAP MOUNTING SCREW: ZINC PLATED STEEL
 GROUND SCREW: GREEN ZINC PLATED STEEL
 SPEED "K" KLAMP: PVC
- UL LISTED WITH 2 HOUR FIRE RATING FOR WALL AND CEILING
- 2 SPEED "K" KLAMPS FACTORY INSTALLED
- DIMENSIONS ARE FOR REFERENCE ONLY AND SUBJECT TO CHANGE WITHOUT NOTICE



ALLIED MOULDED PRODUCTS
 BRYAN, OHIO
 The Original Fiber Glass Outlet Box

PRODUCT SERIES
 3.5" DIA. - 14 CU. IN. OLD WORK W/
 EARS, SNAP, GROUND & "K" KLAMPS

Part No.
9338-ESGK

CONFIDENTIAL
 THIS MATERIAL IS OWNED BY THE ALLIED MOULDED PRODUCTS COMPANY, IS DISCLOSED IN CONFIDENCE AND IS NOT TO BE REPRODUCED OR DISTRIBUTED WITHOUT PRIOR WRITTEN PERMISSION FROM ALLIED MOULDED PRODUCTS.
 © Allied Moulded Products, Inc.
 2018 All Rights Reserved