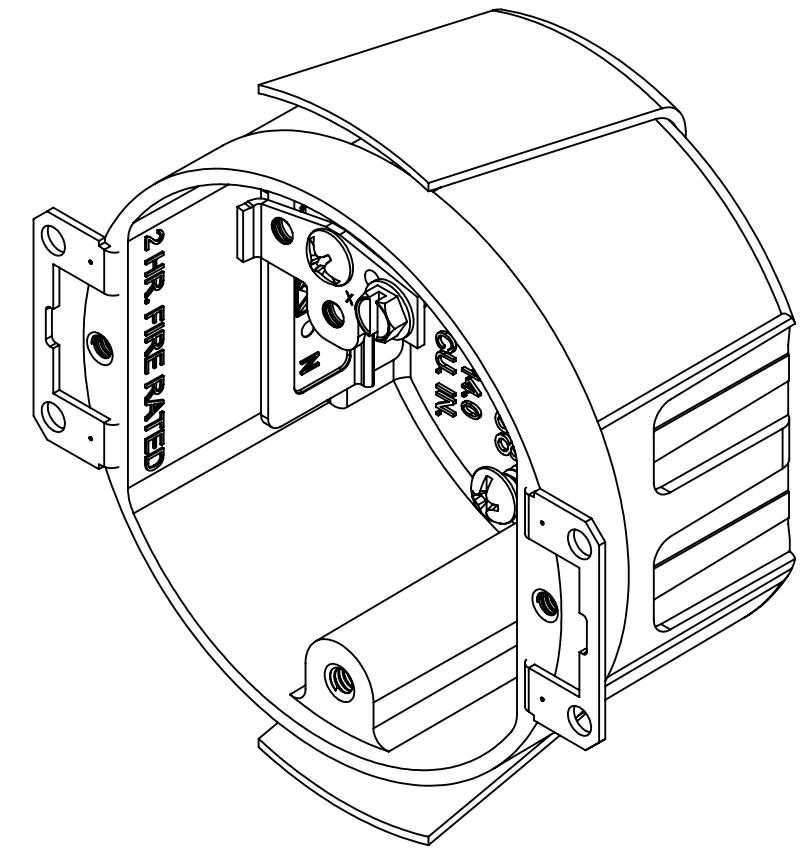
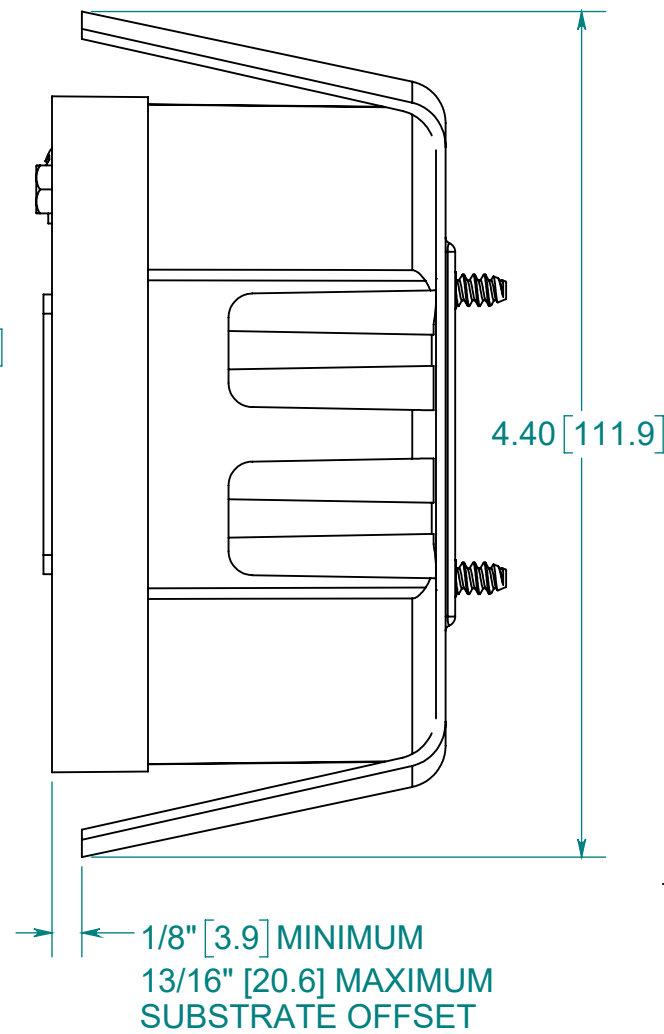
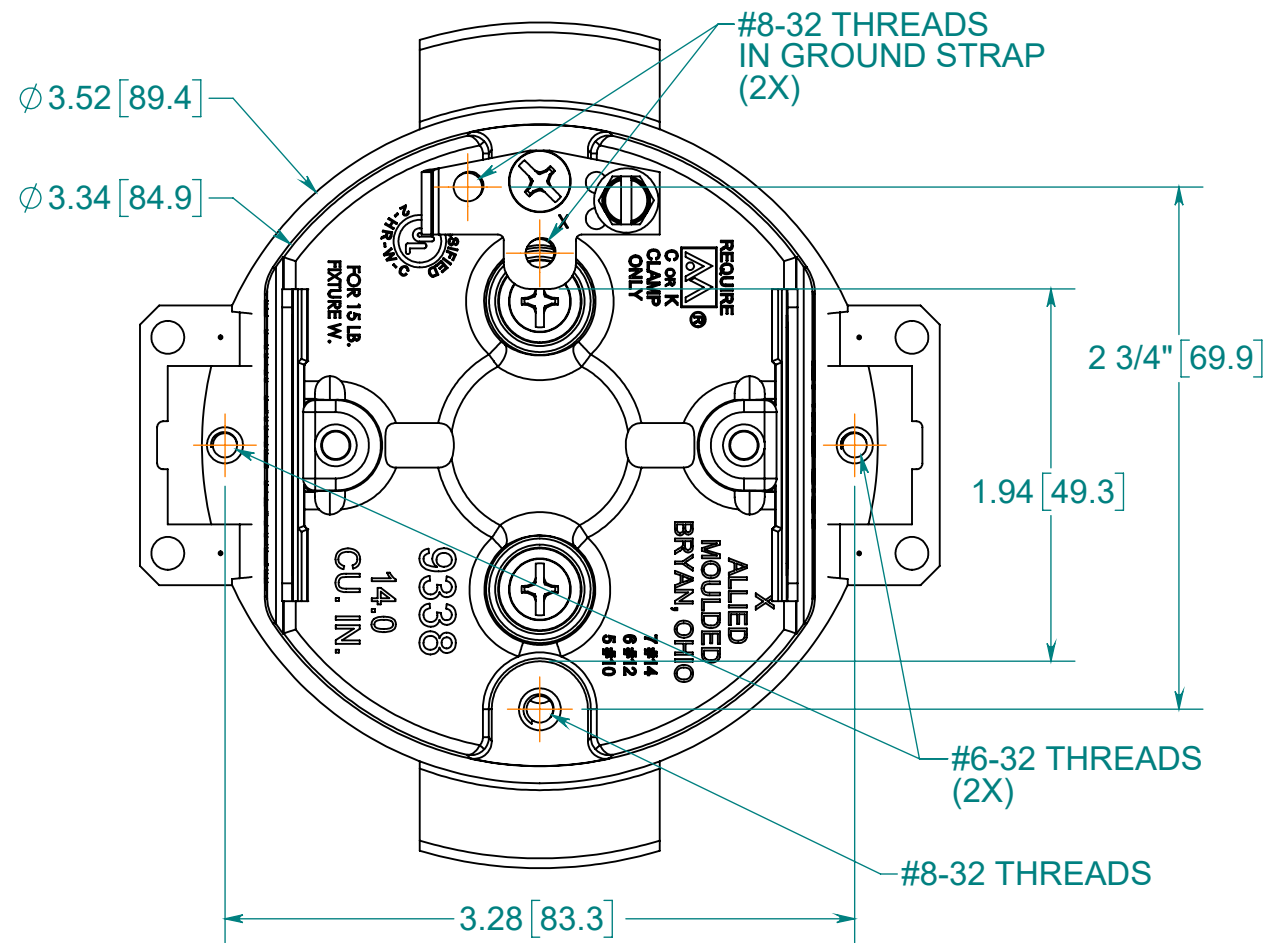


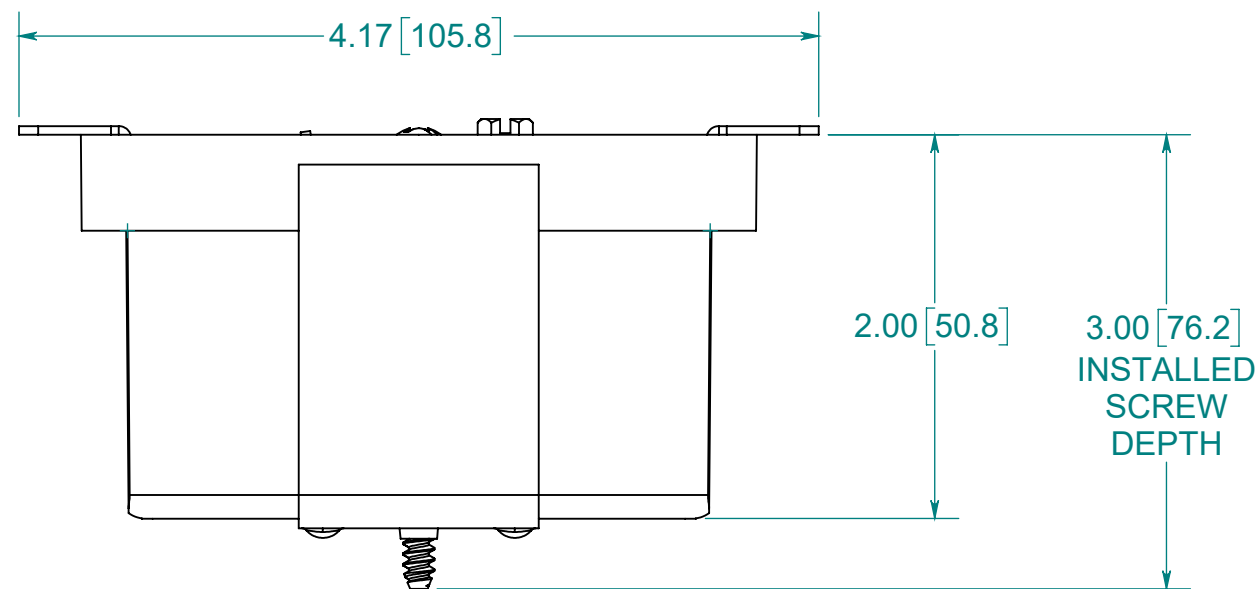
fiberglass BOX™

ISSUE DATE: 08/27/2025



NOTES:

- MATERIALS**
 BOX: FIBERGLASS REINFORCED POLYESTER
 EARS: GALVANIZED STEEL
 SNAP BRACKET: GALVANIZED STEEL
 SNAP BRACKET SCREW: ZINC PLATED STEEL
 GROUND STRAP: GALVANIZED STEEL
 GROUND STRAP MOUNTING SCREW: ZINC PLATED STEEL
 GROUND SCREW: GREEN ZINC PLATED STEEL
 SPEED "K" KLAMP: PVC
- UL LISTED WITH 2 HOUR FIRE RATING FOR WALL AND CEILING
- (2) SPEED "K" KLAMPS FACTORY INSTALLED
- DIMENSIONS ARE FOR REFERENCE ONLY AND SUBJECT TO CHANGE WITHOUT NOTICE



® **ALLIED MOULDED PRODUCTS**
 BRYAN, OHIO

The Original Fiber Glass Outlet Box

PRODUCT SERIES

3.5" DIA. - 14 CU. IN. OLD WORK W/
 EARS, SNAP, GROUND & "K" KLAMPS

Part No.

9338-ESGKT

CONFIDENTIAL

THIS MATERIAL IS OWNED BY THE ALLIED MOULDED PRODUCTS COMPANY, IS DISCLOSED IN CONFIDENCE AND IS NOT TO BE REPRODUCED OR DISTRIBUTED WITHOUT PRIOR WRITTEN PERMISSION FROM ALLIED MOULDED PRODUCTS.

© 2018 Allied Moulded Products, Inc.
 All Rights Reserved