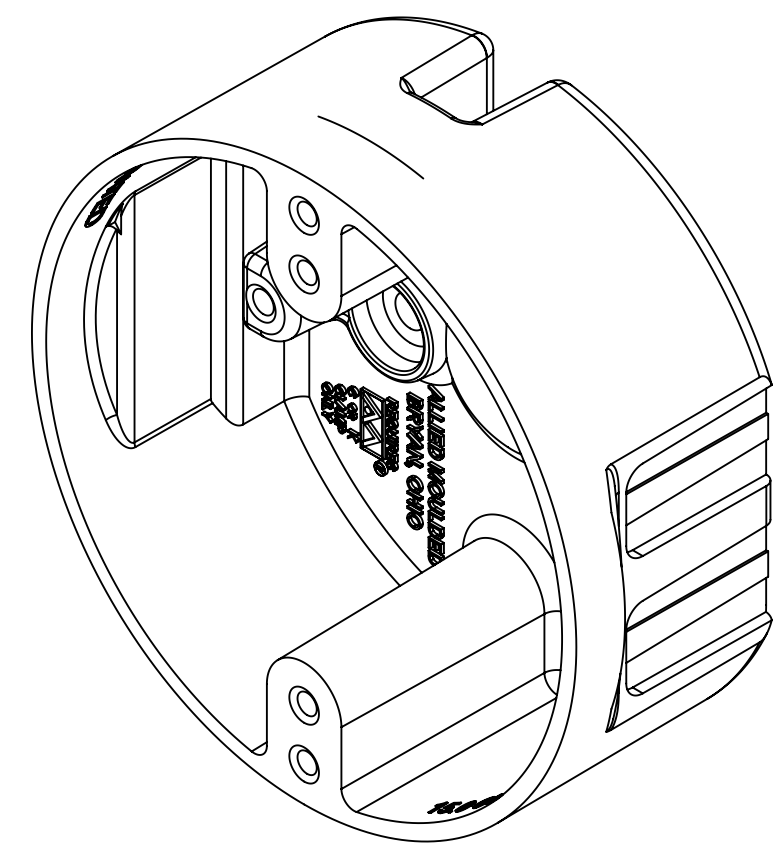
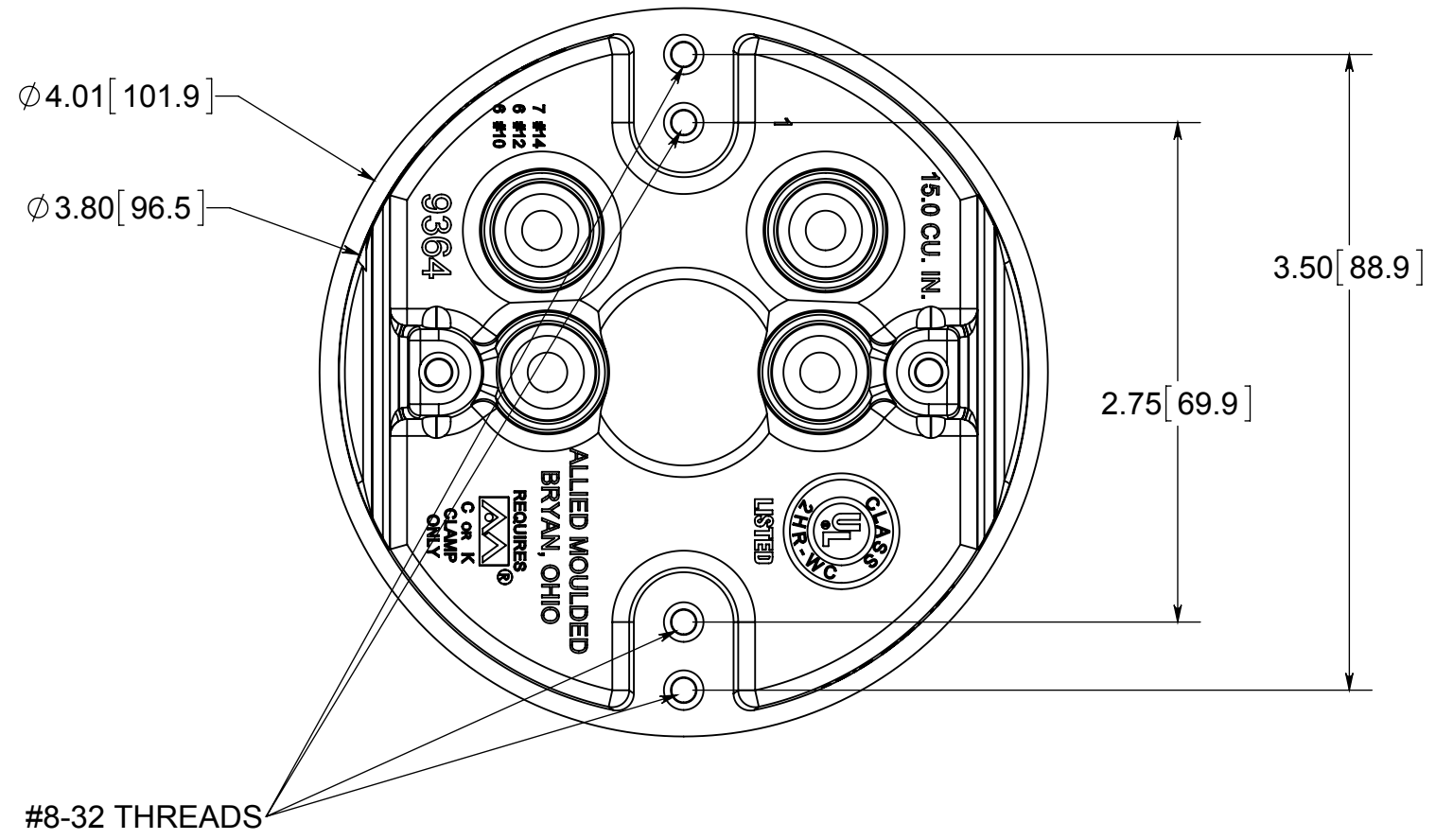
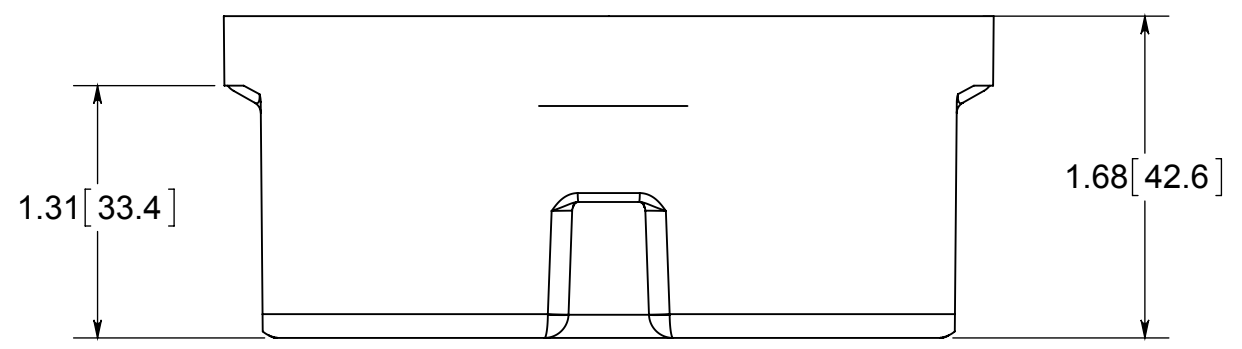


# fiberglass BOX™

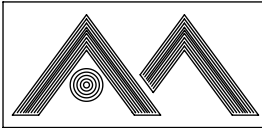
ISSUE DATE: 06/29/2015



#8-32 THREADS



- NOTES:  
 1.) BOX MATERIAL: FIBERGLASS REINFORCED POLYESTER, SPEED KLAMP MATERIAL: PVC  
 2.) UL LISTED WITH 2 HOUR FIRE RATING FOR WALL AND CEILING  
 3.) SPEED KLAMPS BULK PACKED

	<b>ALLIED MOULDED PRODUCTS</b> BRYAN, OHIO The Original Fiber Glass Outlet Box
	PRODUCT SERIES <b>4" ROUND 15.0 CU. IN.</b>
Part No.	<b>9364</b>

**CONFIDENTIAL**  
 THIS MATERIAL IS OWNED BY THE ALLIED MOULDED PRODUCTS COMPANY, IS DISCLOSED IN CONFIDENCE, AND IS NOT TO BE REPRODUCED OR DISTRIBUTED WITHOUT PRIOR WRITTEN PERMISSION FROM ALLIED MOULDED PRODUCTS.