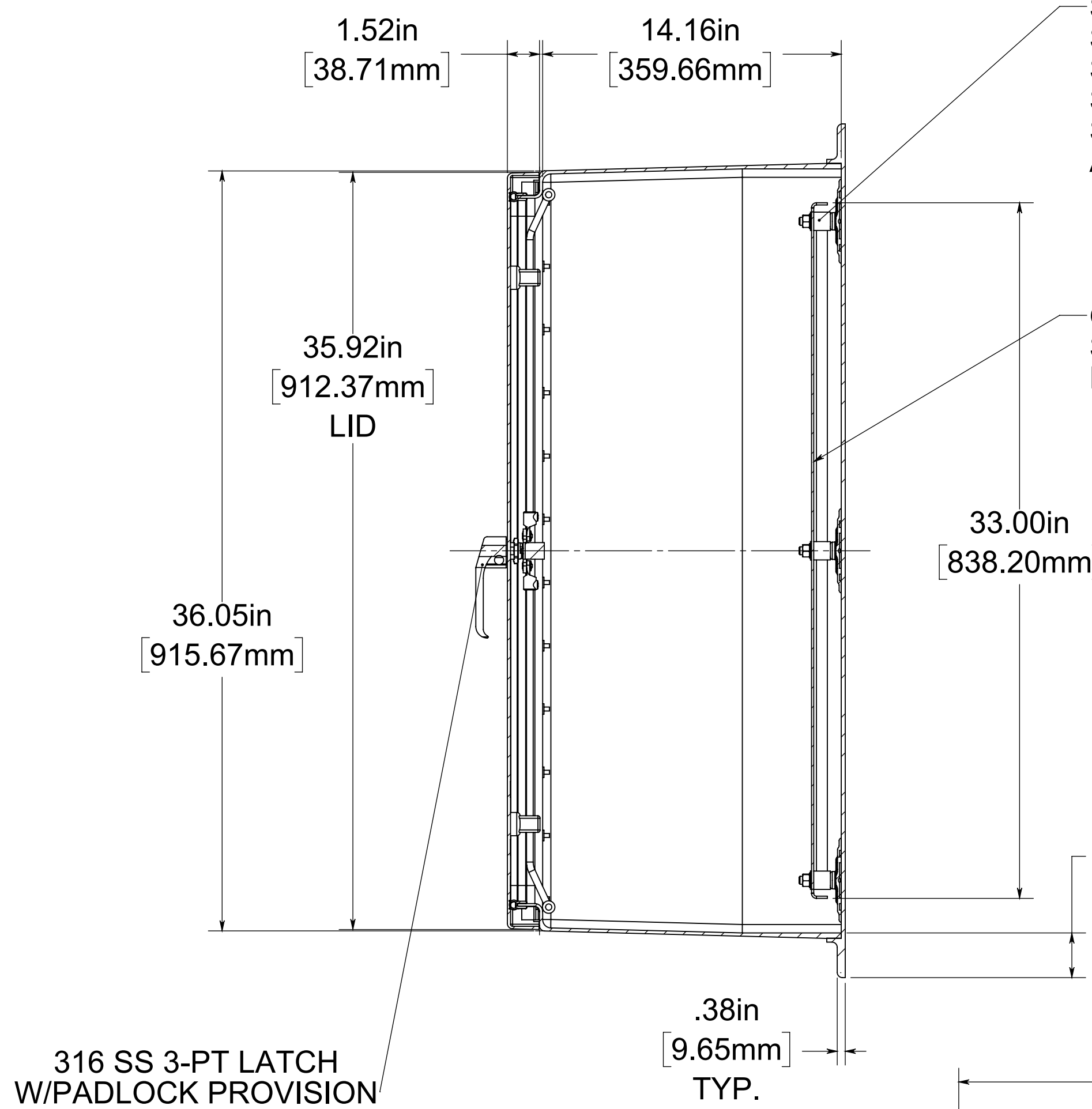


FRONT VIEW WITH COVER



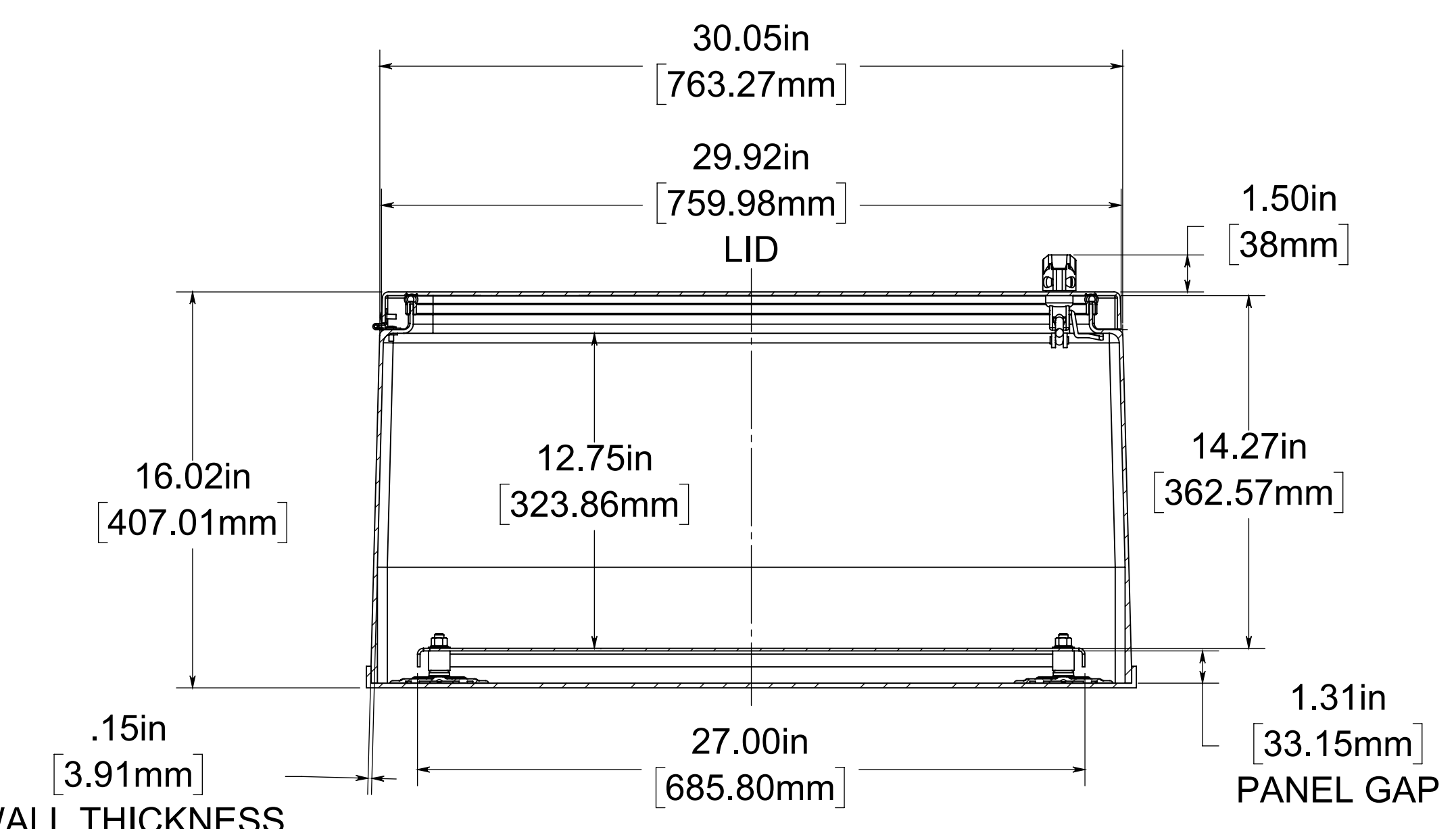
SIDE VIEW

- STANDARD PVC SPACER
- STAINLESS STEEL 3/8-16x2 THREADED ROD
- STAINLESS STEEL 3/8 INT. TEETH LOCKING WASHER
- STAINLESS STEEL 3/8 FLAT WASHER
- STAINLESS STEEL 3/8-16 HEX HEAD NUT
- ALL TYP. (6x)

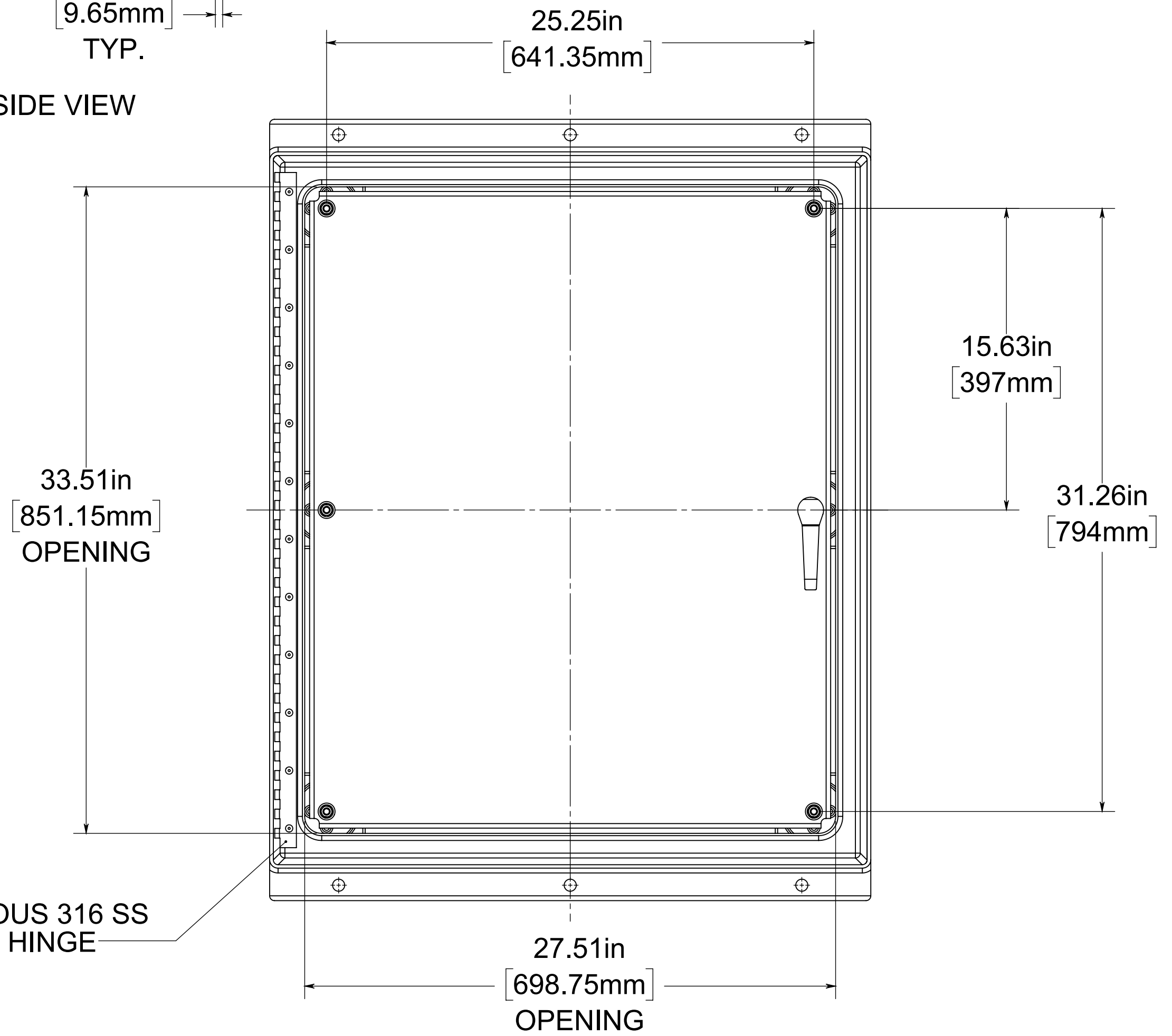
OPTIONAL PAINTED CARBON
STEEL BACK PANEL .105 [12.7] THICK
PART NO. P3630CS

NOTE:
1. DATA SUBJECT TO CHANGE

MATERIAL:
BOX- GEL-COAT, FIBERGLASS, POLYESTER RESIN
COVER- GEL-COAT, FIBERGLASS, POLYESTER RESIN
EPDM GASKET SEAL

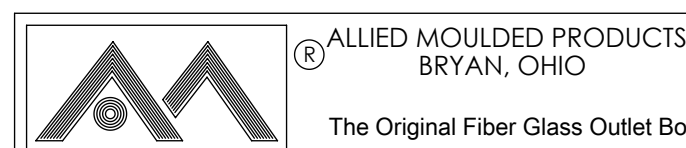


BOTTOM VIEW



FRONT VIEW WITH COVER AND GASKET REMOVED

CONFIDENTIAL
THIS MATERIAL IS OWNED BY THE ALLIED MOULDED PRODUCTS COMPANY, IS DISCLOSED IN CONFIDENCE, AND IS NOT TO BE REPRODUCED OR DISTRIBUTED WITHOUT PRIOR WRITTEN PERMISSION FROM ALLIED MOULDED PRODUCTS.



Empire
Part No. AM363016L3PT