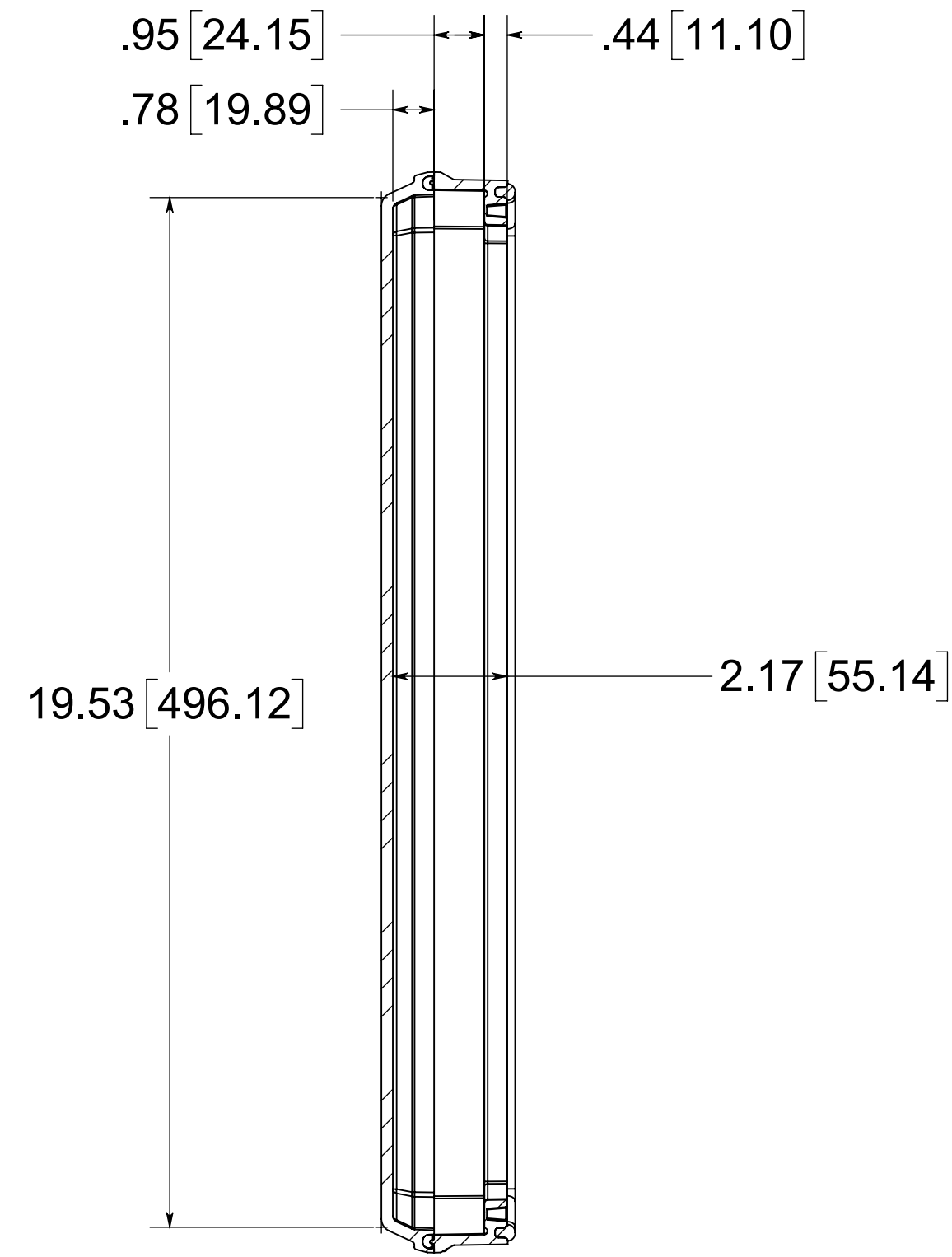
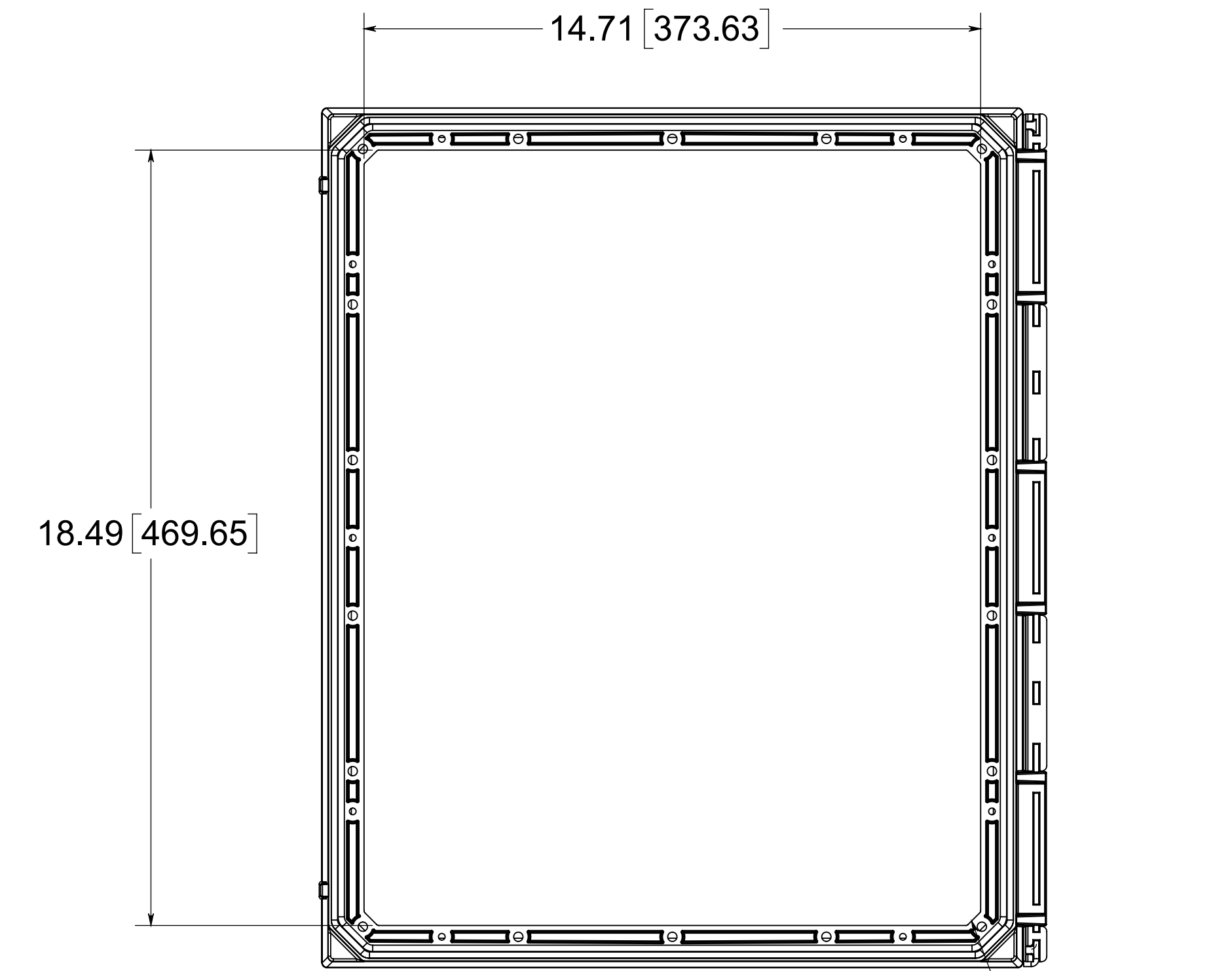


316 STAINLESS STEEL HINGE PIN

(2) EACH #10-32 BRASS INSERTS AND 316 STAINLESS STEEL CAPTIVE COVER SCREWS WITH RETAINING O-RING

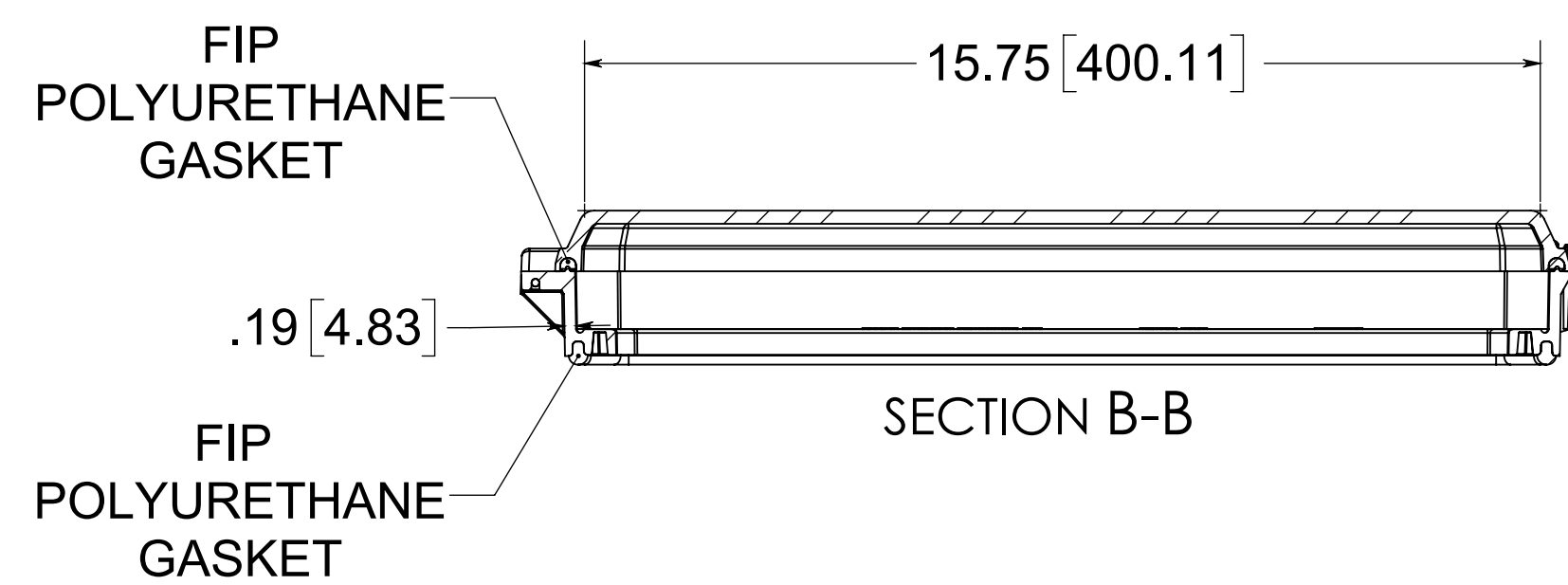


SECTION A-A

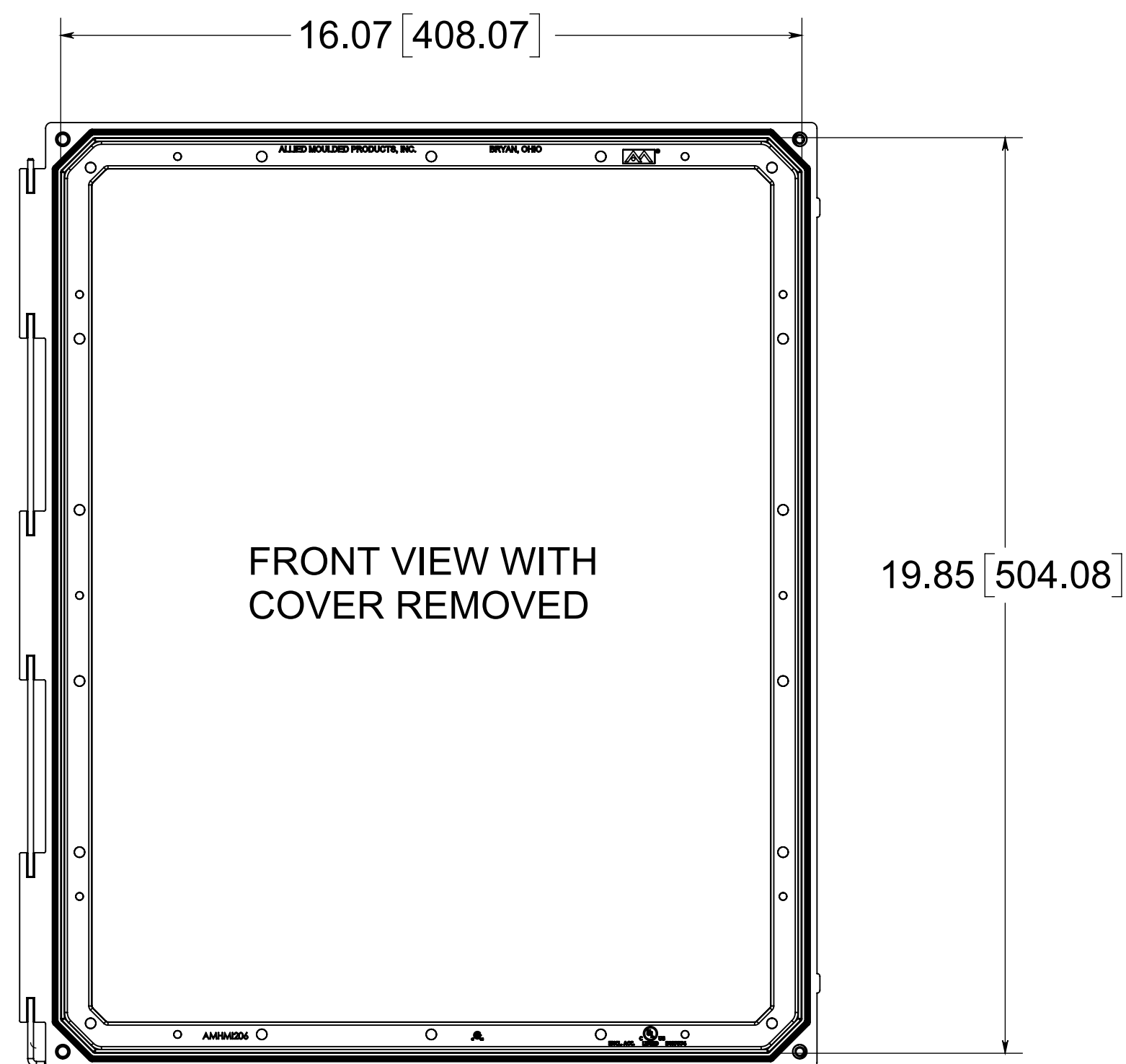


OPENING SIZE HMI206

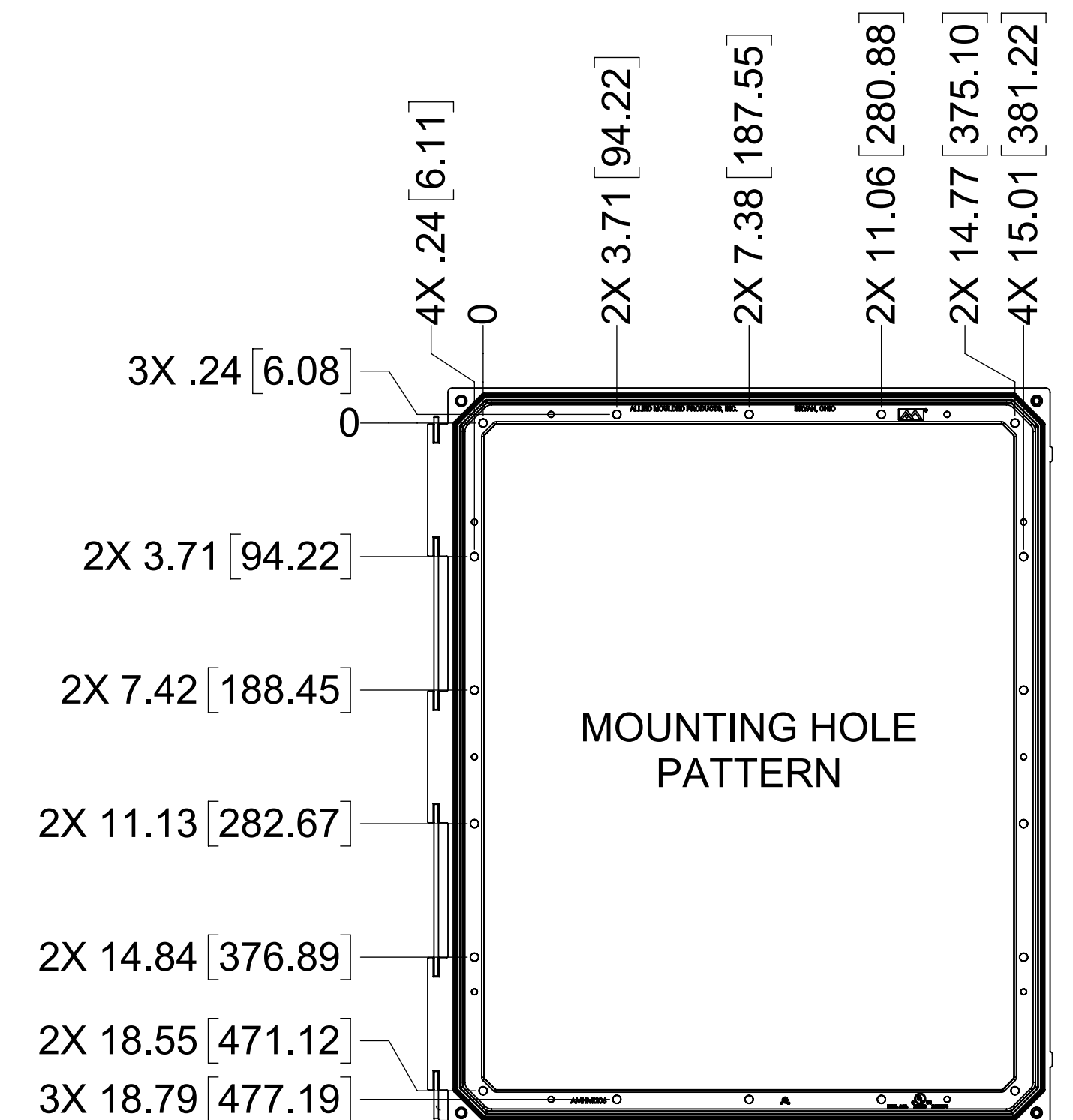
.321 X 45° TYP. (4X)



SECTION B-B



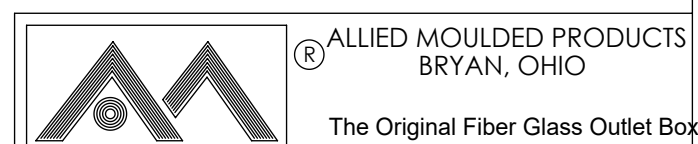
FRONT VIEW WITH COVER REMOVED



MOUNTING HOLE PATTERN

MATERIAL:
 BOX - INJECTED POLYCARBONATE
 STANDARD COVER - INJECTED POLYCARBONATE
 CLEAR COVER - INJECTED POLYCARBONATE

NOTES:
 1. DATA SUBJECT TO CHANGE WITHOUT NOTICE
 2. WILL FIT ALLIED MOULDED ENCLOSURE SIZES 24 X 24 AND LARGER



CONFIDENTIAL
 THIS MATERIAL IS OWNED BY THE ALLIED MOULDED PRODUCTS COMPANY, IS DISCLOSED IN CONFIDENCE, AND IS NOT TO BE REPRODUCED OR DISTRIBUTED WITHOUT PRIOR WRITTEN PERMISSION FROM ALLIED MOULDED PRODUCTS.
 © 2017 Allied Moulded Products, Inc. All Rights Reserved

Description
Access-Indus
 Part No.
AMHMI206HTP