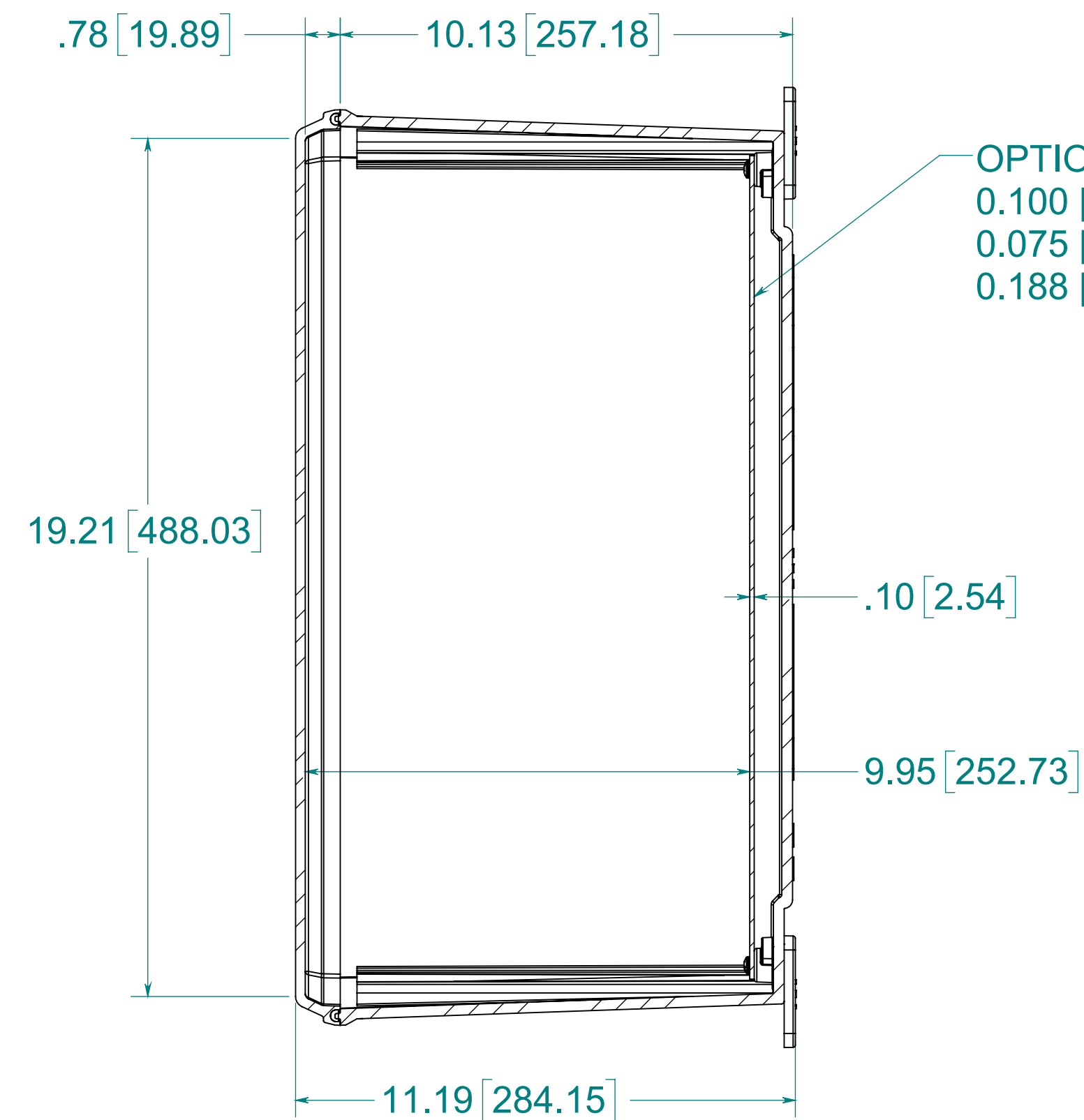
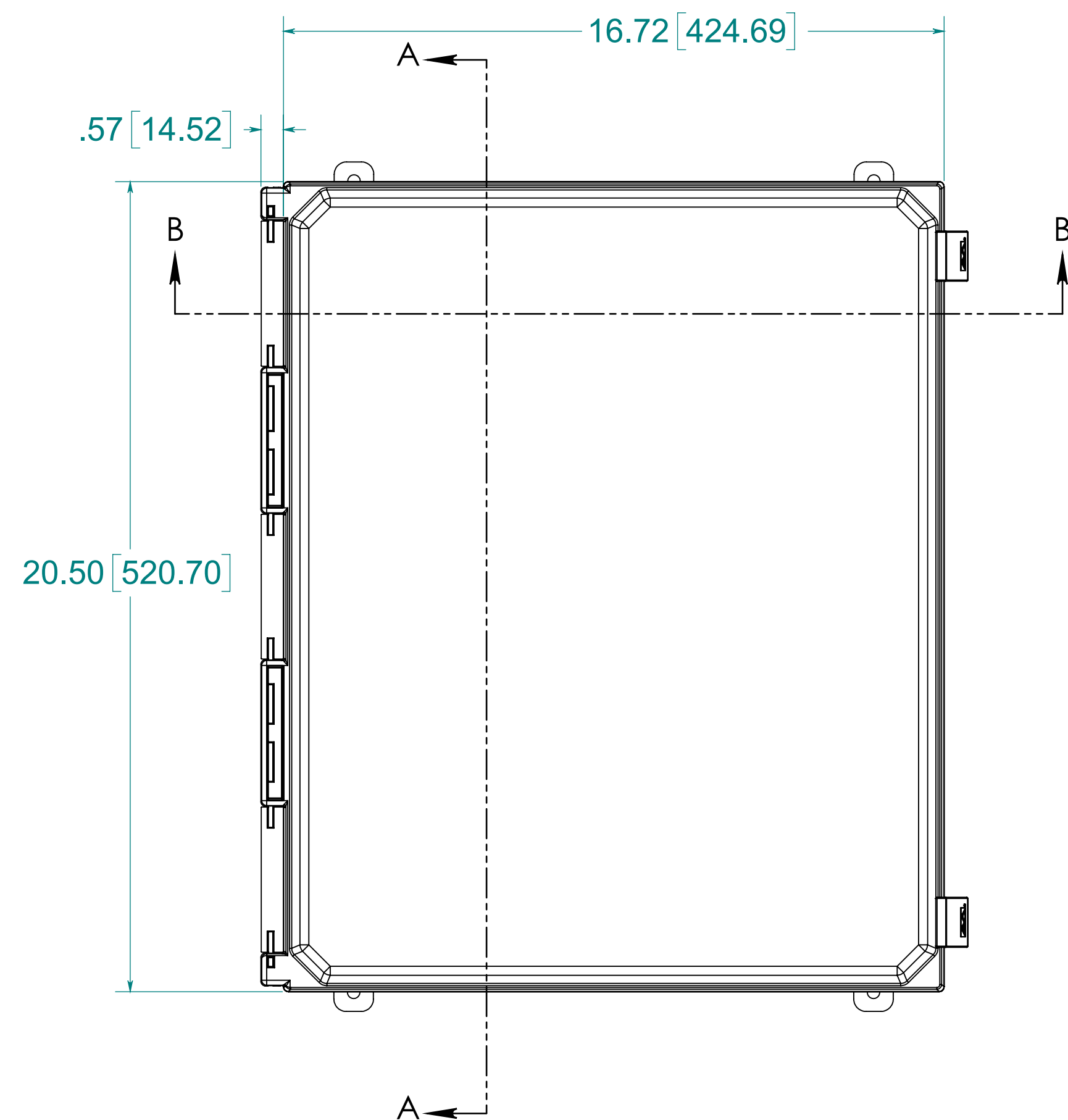
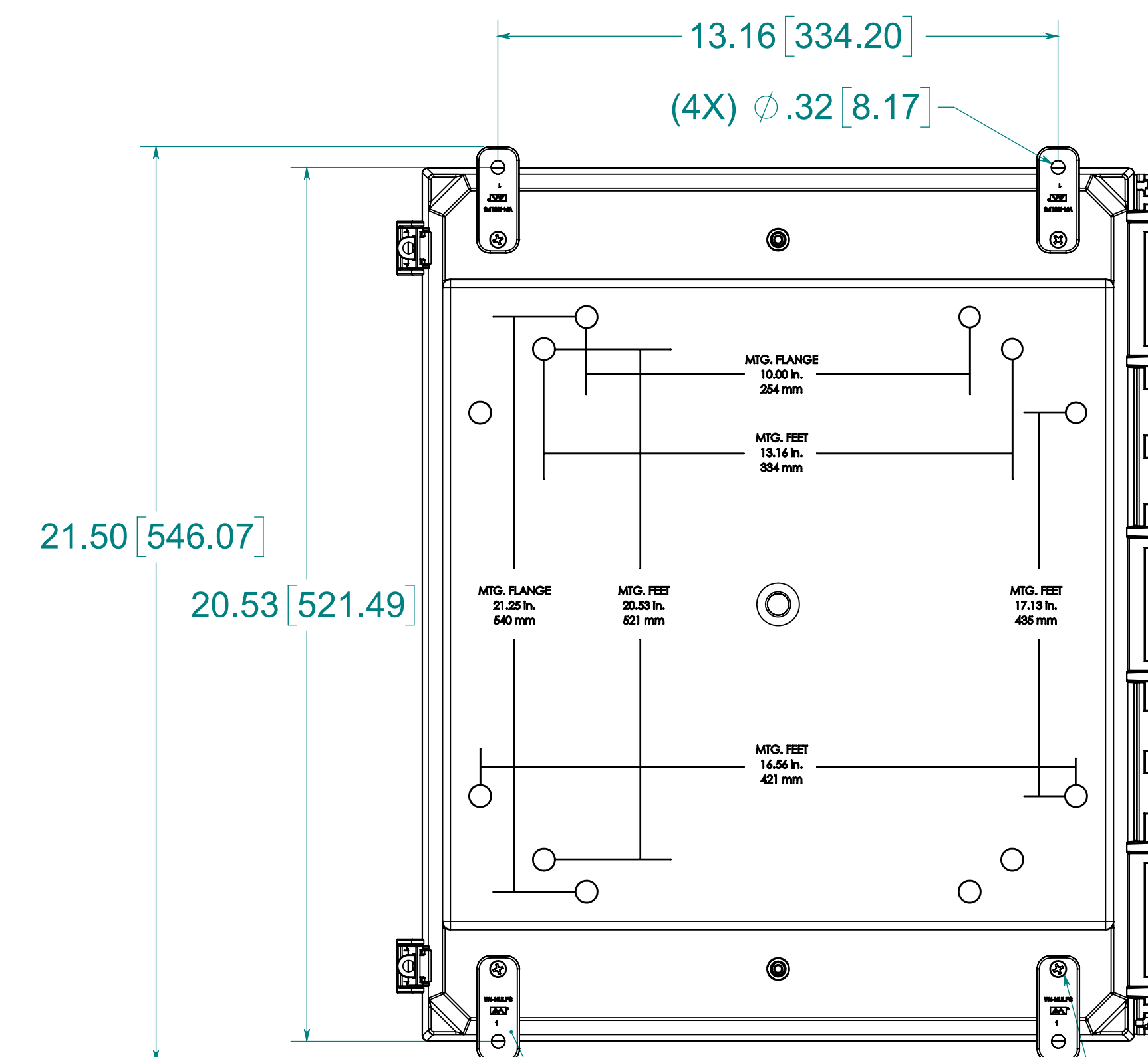


Date	Rev	Description	ECN No.	ISSUE DATE	DR	CK	REL
08/02/2019		INITIAL RELEASE	ECN-314		DJL	SRH	GEL
-	-	-	-	-	-	-	-
-	-	-	-	-	-	-	-

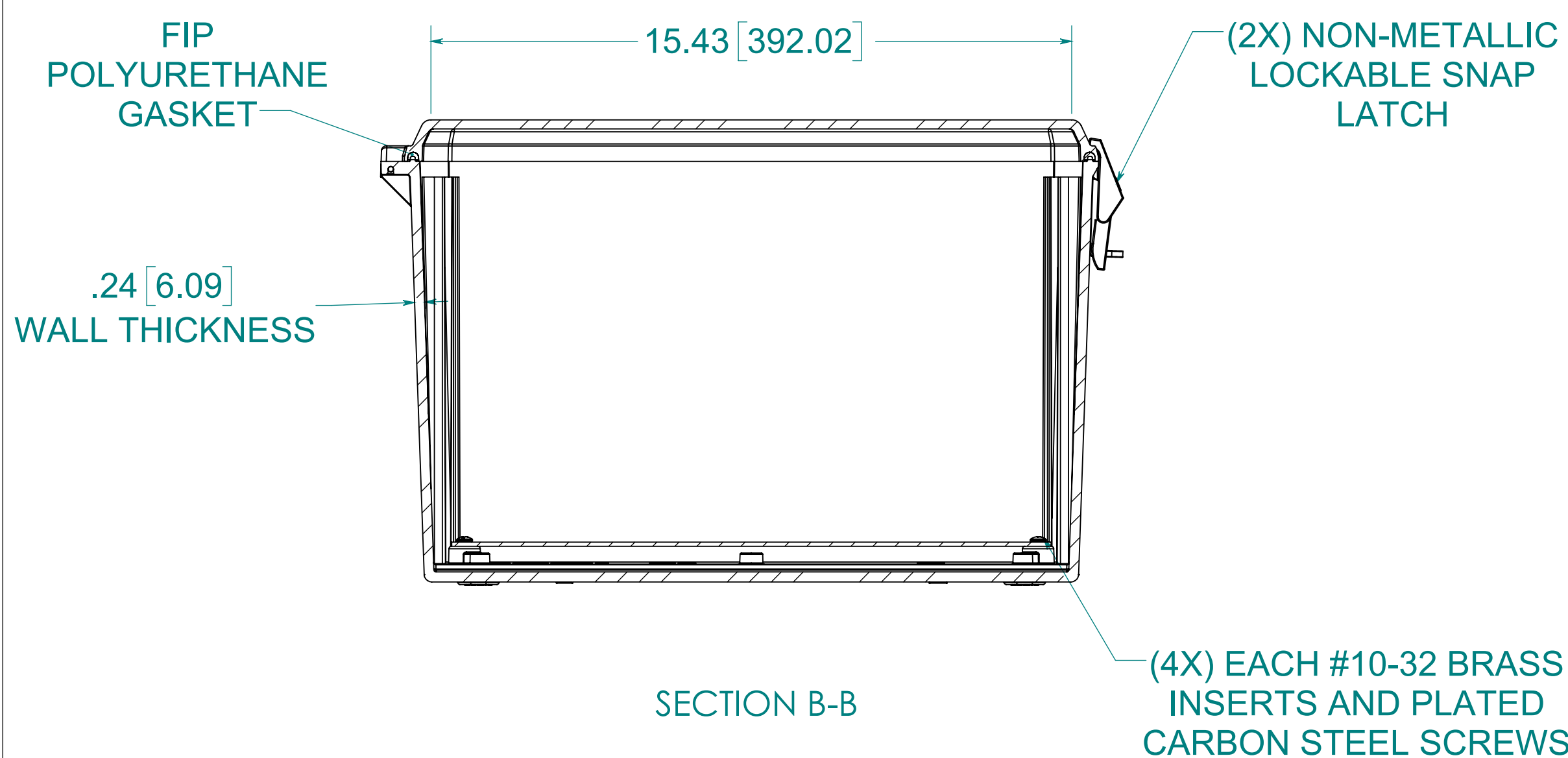


SECTION A-A

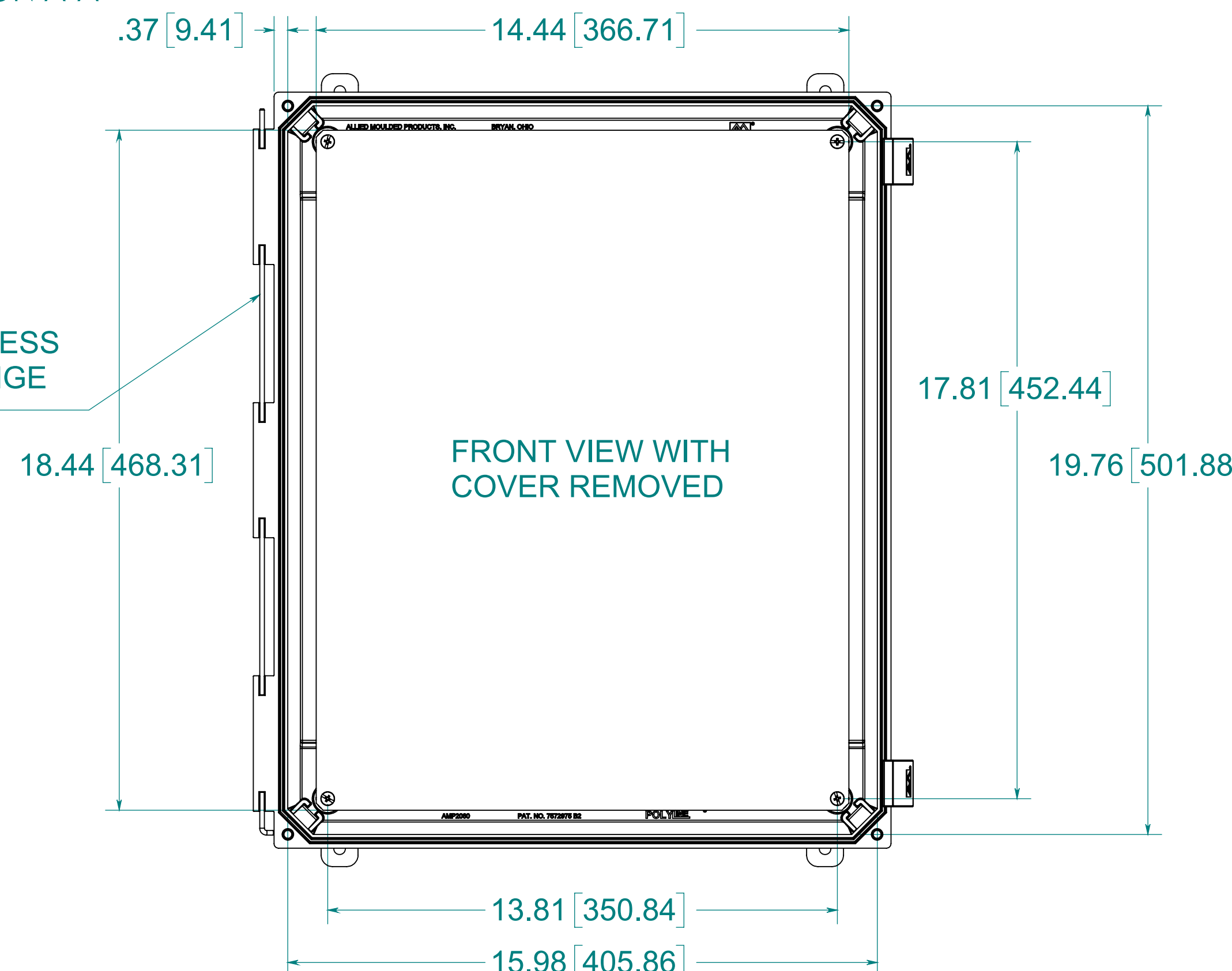


(4X) POLYCARBONATE FEET

(4X) EACH #10-32 BRASS INSERTS AND 316 STAINLESS STEEL FEET SCREWS



SECTION B-B



FRONT VIEW WITH COVER REMOVED

**MATERIAL:**  
 BOX- INJECTED POLYCARBONATE  
 STANDRAD COVER- INJECTED POLYCARBONATE  
 CLEAR COVER- INJECTED POLYCARBONATE

**NOTE:**  
 1. DATA SUBJECT TO CHANGE WITHOUT NOTICE



**CONFIDENTIAL**  
 THIS MATERIAL IS OWNED BY THE ALLIED MOULDED PRODUCTS COMPANY, IS DISCLOSED IN CONFIDENCE, AND IS NOT TO BE REPRODUCED OR DISTRIBUTED WITHOUT PRIOR WRITTEN PERMISSION FROM ALLIED MOULDED PRODUCTS.  
 © 2018 Allied Moulded Products, Inc.  
 All Rights Reserved

Description  
**AMP Polyline**  
 Part No.  
**AMP2060NL**