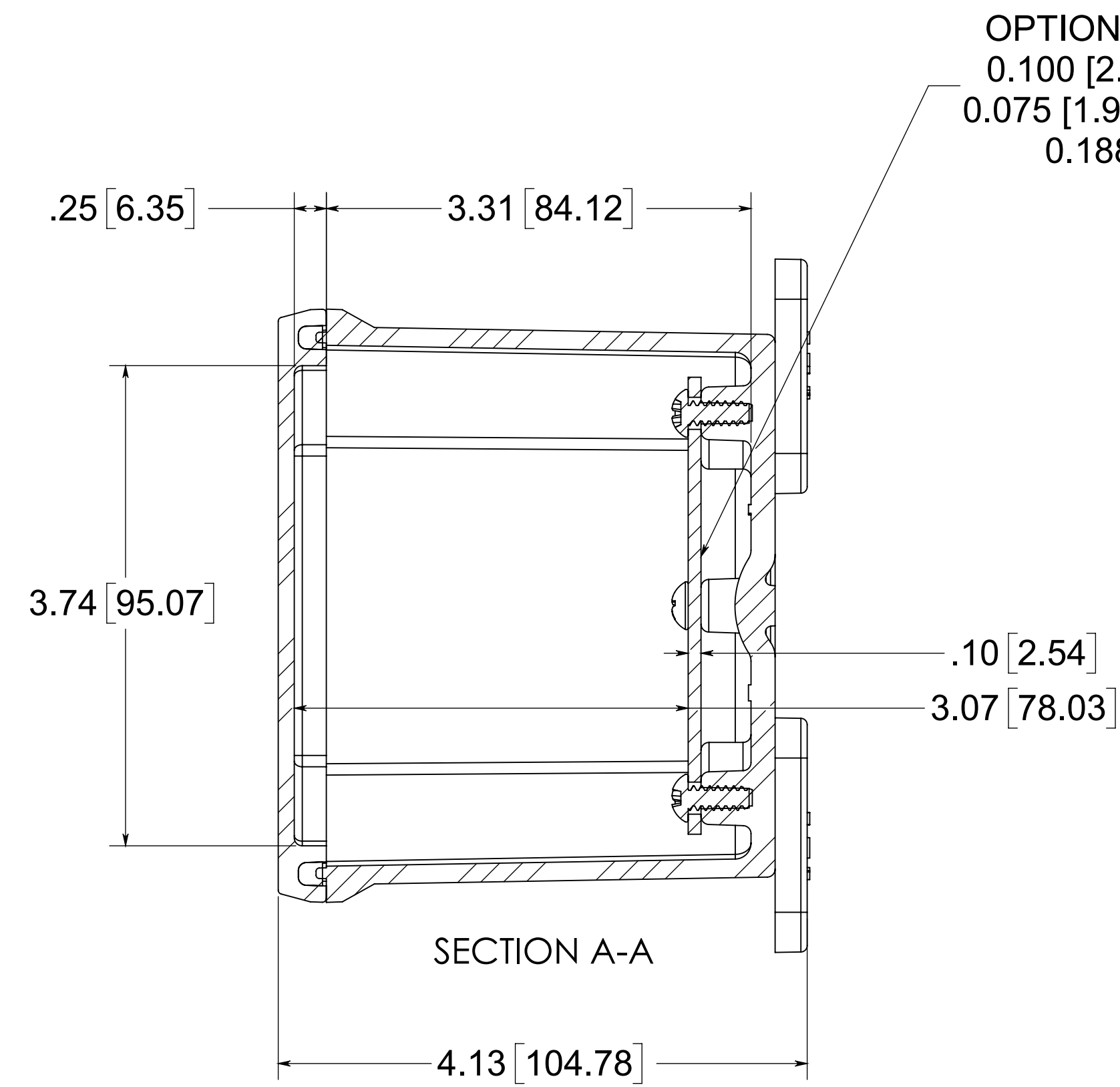
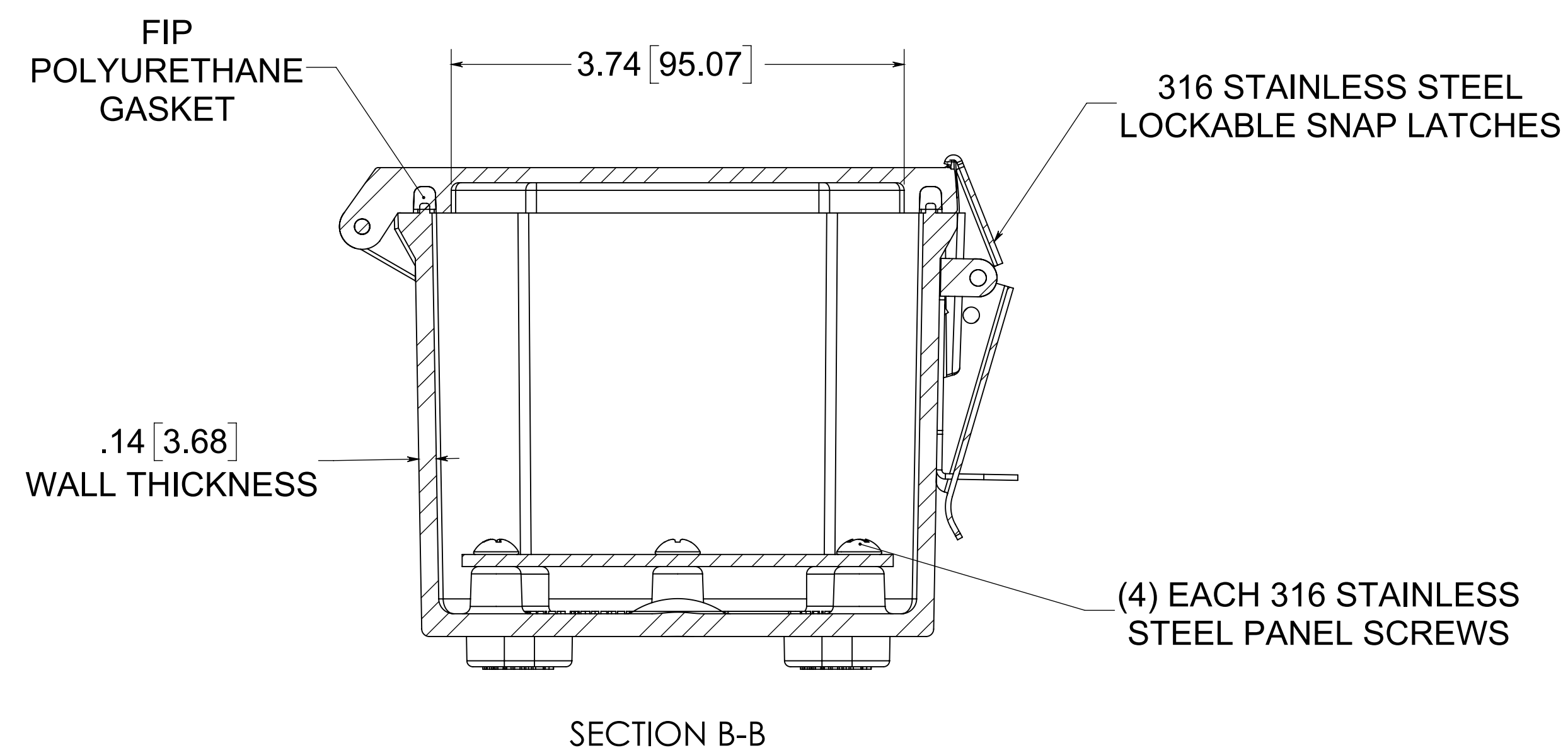
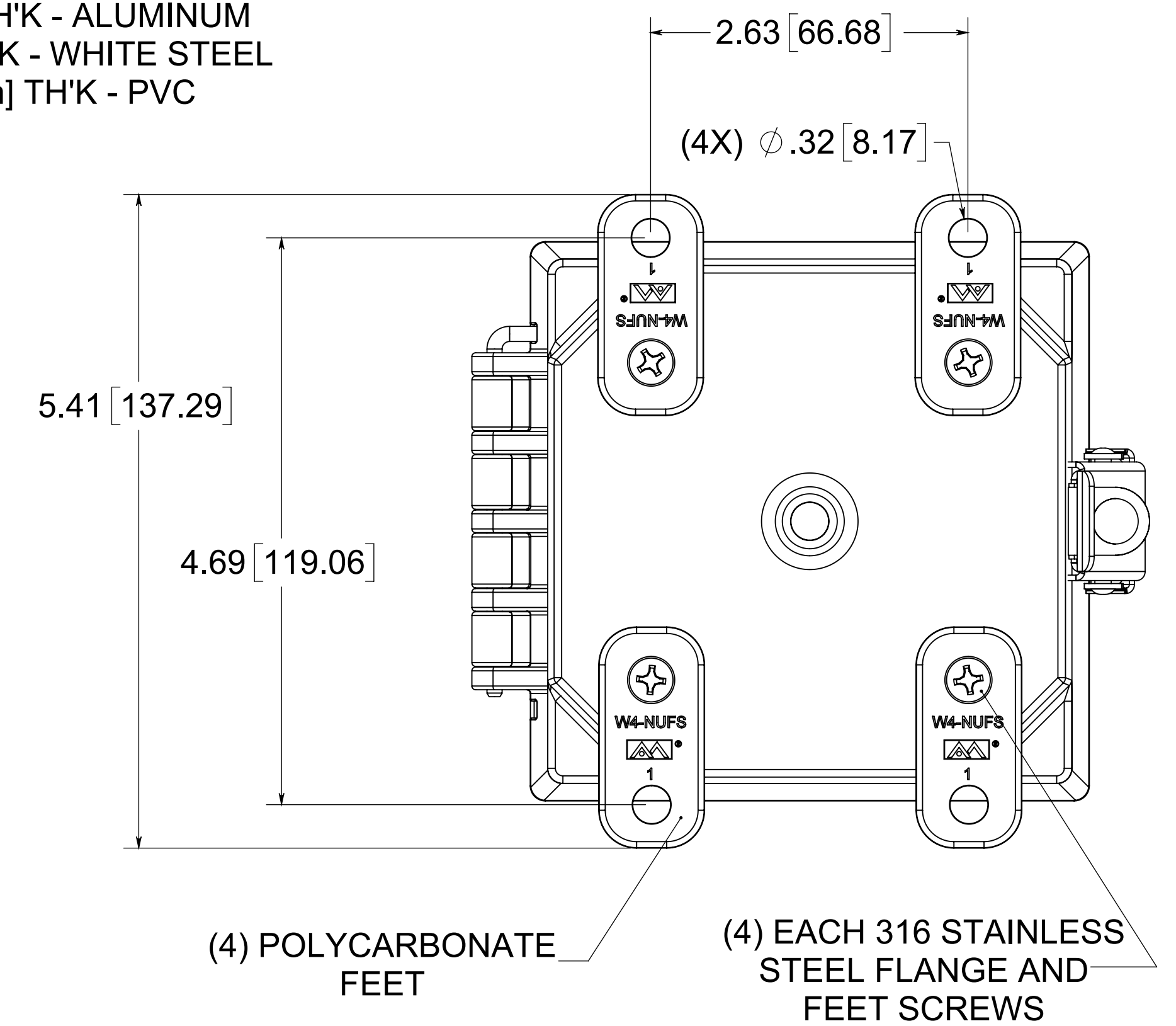


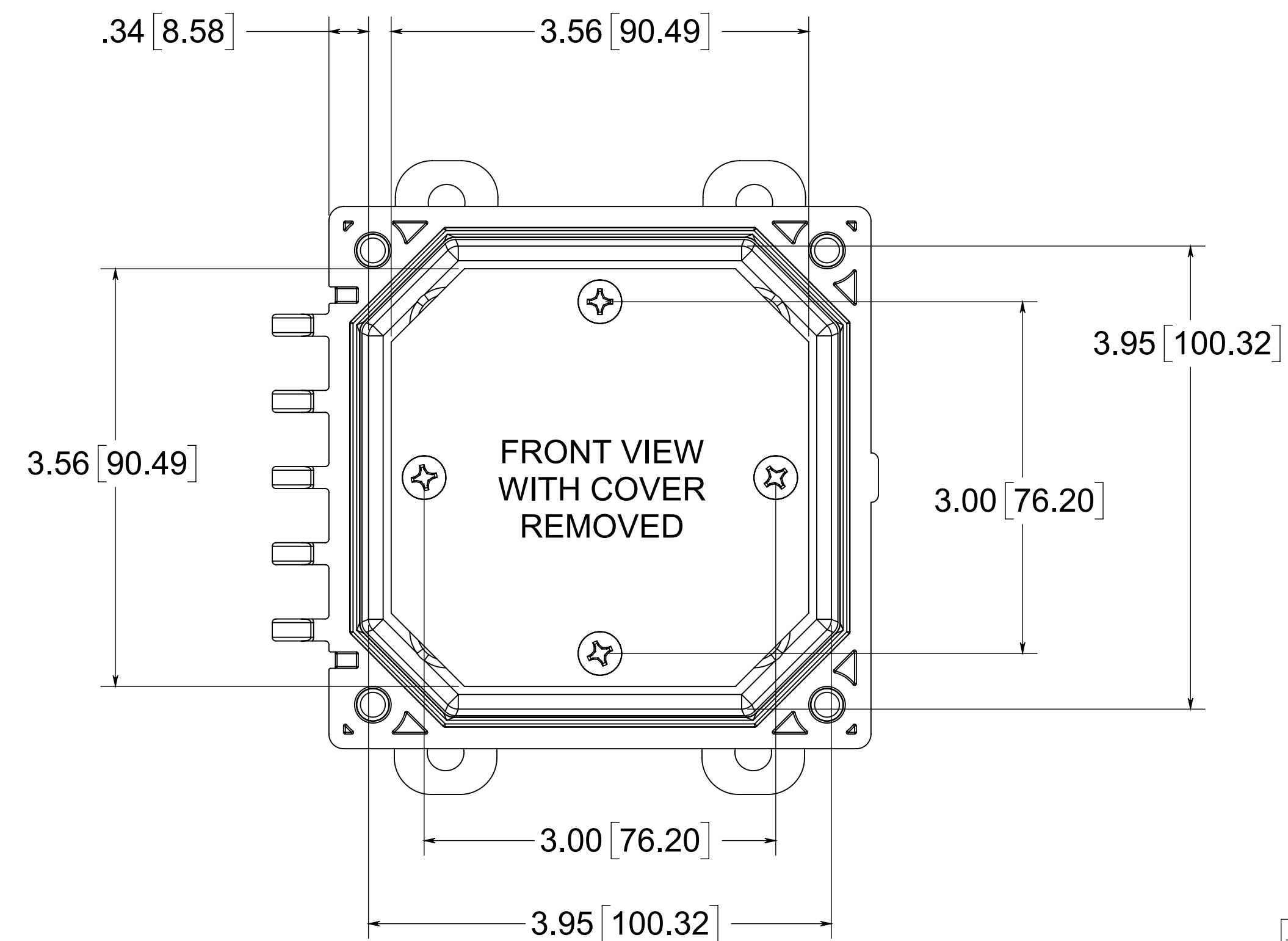
316 STAINLESS STEEL HINGE PIN



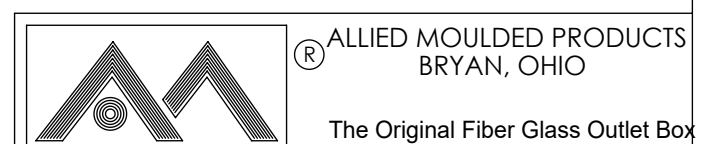
OPTIONAL BACK PANEL SHOWN
 0.100 [2.54mm] TH'K - ALUMINUM
 0.075 [1.91mm] TH'K - WHITE STEEL
 0.188 [4.78mm] TH'K - PVC



NOTE:
 1. DATA SUBJECT TO CHANGE WITHOUT NOTICE



MATERIAL:
 BOX - INJECTION POLYCARBONATE
 STANDARD COVER - INJECTION POLYCARBONATE
 CLEAR COVER - INJECTION POLYCARBONATE



CONFIDENTIAL
 THIS MATERIAL IS OWNED BY THE ALLIED MOULDED PRODUCTS COMPANY, IS DISCLOSED IN CONFIDENCE, AND IS NOT TO BE REPRODUCED OR DISTRIBUTED WITHOUT PRIOR WRITTEN PERMISSION FROM ALLIED MOULDED PRODUCTS.
 © 2018 Allied Moulded Products, Inc.
 All Rights Reserved

Description
 AMP Polyline
 Part No.
 AMP443L