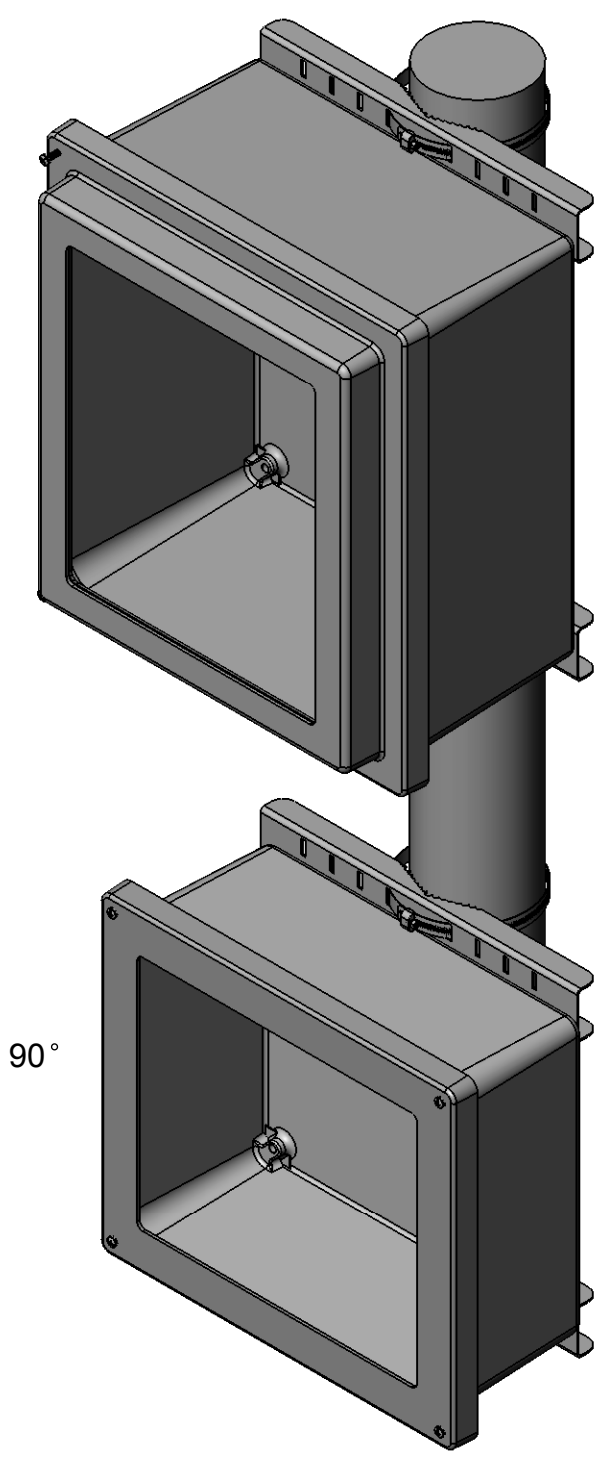


STANDARD MOUNT

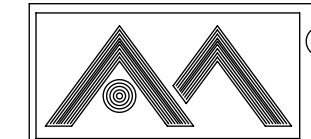


STANDARD MOUNT HOLE PATTERN

ENCLOSURE	VERTICAL DIM	HORIZONTAL DIM	MOUNT TYPE
AM1648(X)	14.89 (378.2)	13.01 (330.5)	DIRECT TO BOX
AMP1648 (X)	17.75 (450.85)	12.00 (304.80)	BOLT THROUGH FLANGE
AMU1648(X)F	16.75 (425.5)	12.00 (304.80)	BOLT THROUGH FLANGE

ROTATED 90° MOUNT HOLE PATTERN

ENCLOSURE	VERTICAL DIM	HORIZONTAL DIM	MOUNT TYPE
AM1426(X)	11.01 (279.7)	12.89 (327.4)	DIRECT TO BOX



® **ALLIED MOULDED PRODUCTS**
BRYAN, OHIO

The Original Fiber Glass Outlet Box

PRODUCT SERIES

Access-Indus

Part No.

AMPOLEMNT14

CONFIDENTIAL
THIS MATERIAL IS OWNED BY THE ALLIED MOULDED PRODUCTS COMPANY, IS DISCLOSED IN CONFIDENCE, AND IS NOT TO BE REPRODUCED OR DISTRIBUTED WITHOUT PRIOR WRITTEN PERMISSION FROM ALLIED MOULDED PRODUCTS.