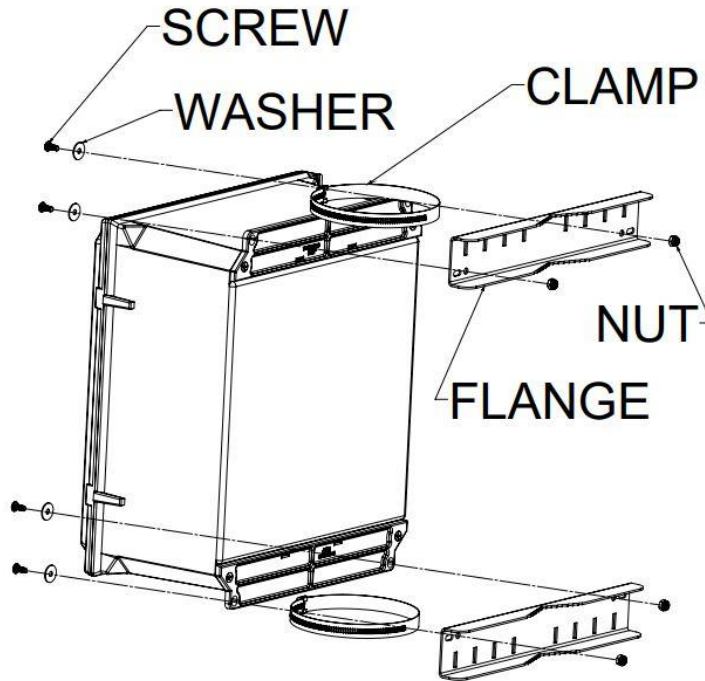




**Instructions for Installing Enclosure Pole Mount Kit**

**NOTE:**

1. NOT FOR USE ON FOOT MOUNT UNITS. USE ON FLANGE MOUNT ONLY.
2. ATTACH POLE MOUNT BRACKET TO ENCLOSURE WITH PROVIDED HARDWARE.
3. ATTACH ENCLOSURE TO POLE WITH METAL CLAMPS.



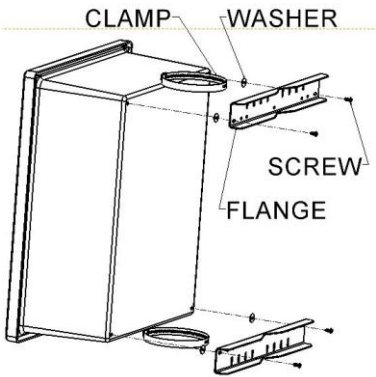
AMU SERIES & AMP SERIES PARTS LIST						
Part Number	AMPOLEMNT6	AMPOLEMNT8	AMPOLEMNT10	AMPOLEMNT12	AMPOLEMNT14	AMPOLEMNT16
FLANGE	2	2	2	2	2	2
CLAMP	2	2	2	2	2	2
SCREW	4	4	4	4	4	4
WASHER	4	4	4	4	4	4
NUT	4	4	4	4	4	4



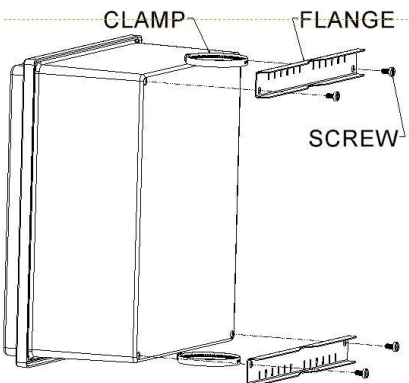
**Instructions for Installing Enclosure Pole Mount Kit**

NOTE:

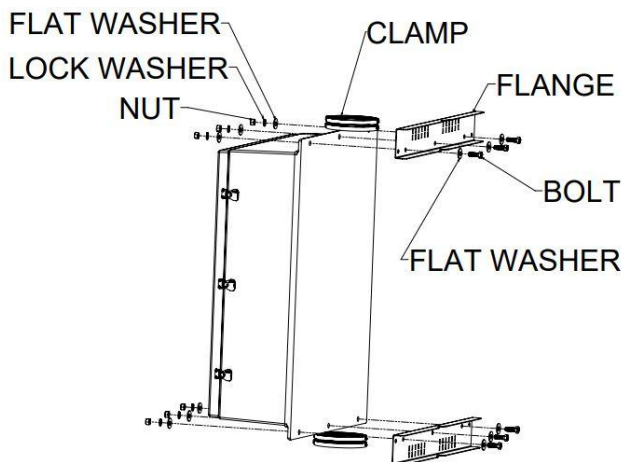
1. ATTACH POLE MOUNT BRACKET TO ENCLOSURE WITH PROVIDED HARDWARE.
2. ATTACH ENCLOSURE TO POLE WITH METAL CLAMPS.



AM SERIES PARTS LIST						
Part Number	AMPOLEMNT6	AMPOLEMNT8	AMPOLEMNT10	AMPOLEMNT12	AMPOLEMNT14	AMPOLEMNT16
FLANGE	2	2	2	2	2	2
CLAMP	2	2	2	2	2	2
SCREW	4	4	4	4	4	4
WASHER	4	4	4	4	4	4



Part Number	AMPOLEMNT20	AMPOLEMNT24
FLANGE	2	2
CLAMP	2	2
SCREW	4	4



Part Number	AMPOLEMTEMP
FLANGE	2
CLAMP	4
BOLT	6
FLAT WASHER	12
LOCK WASHER	6
NUT	6

Allied Moulded Products, Inc.  
222 North Union Street  
Bryan, OH 43506  
Phone: 1-800-722-2679 • Fax: 1-800-237-7269  
[www.alliedmoulded.com](http://www.alliedmoulded.com)