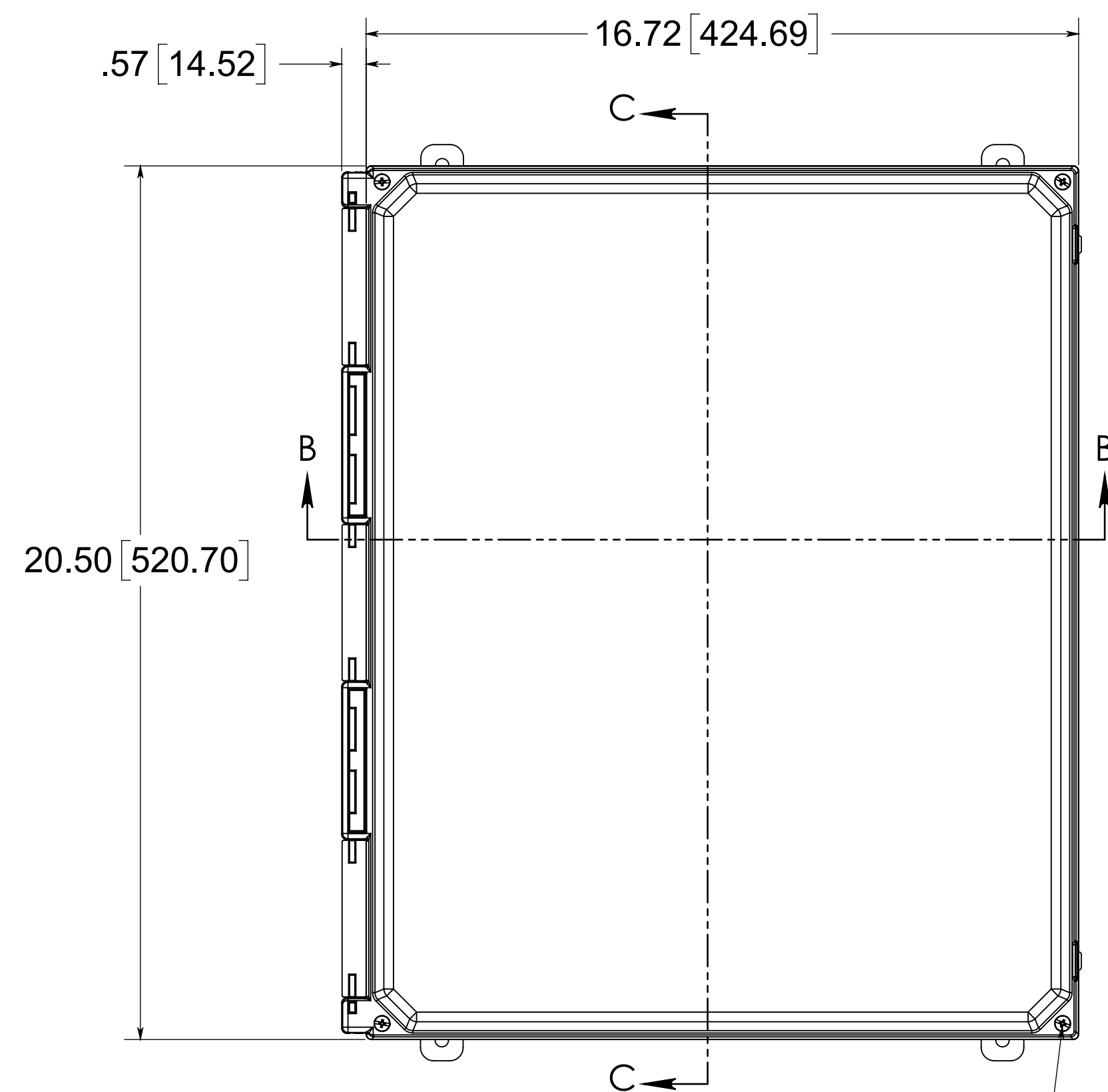
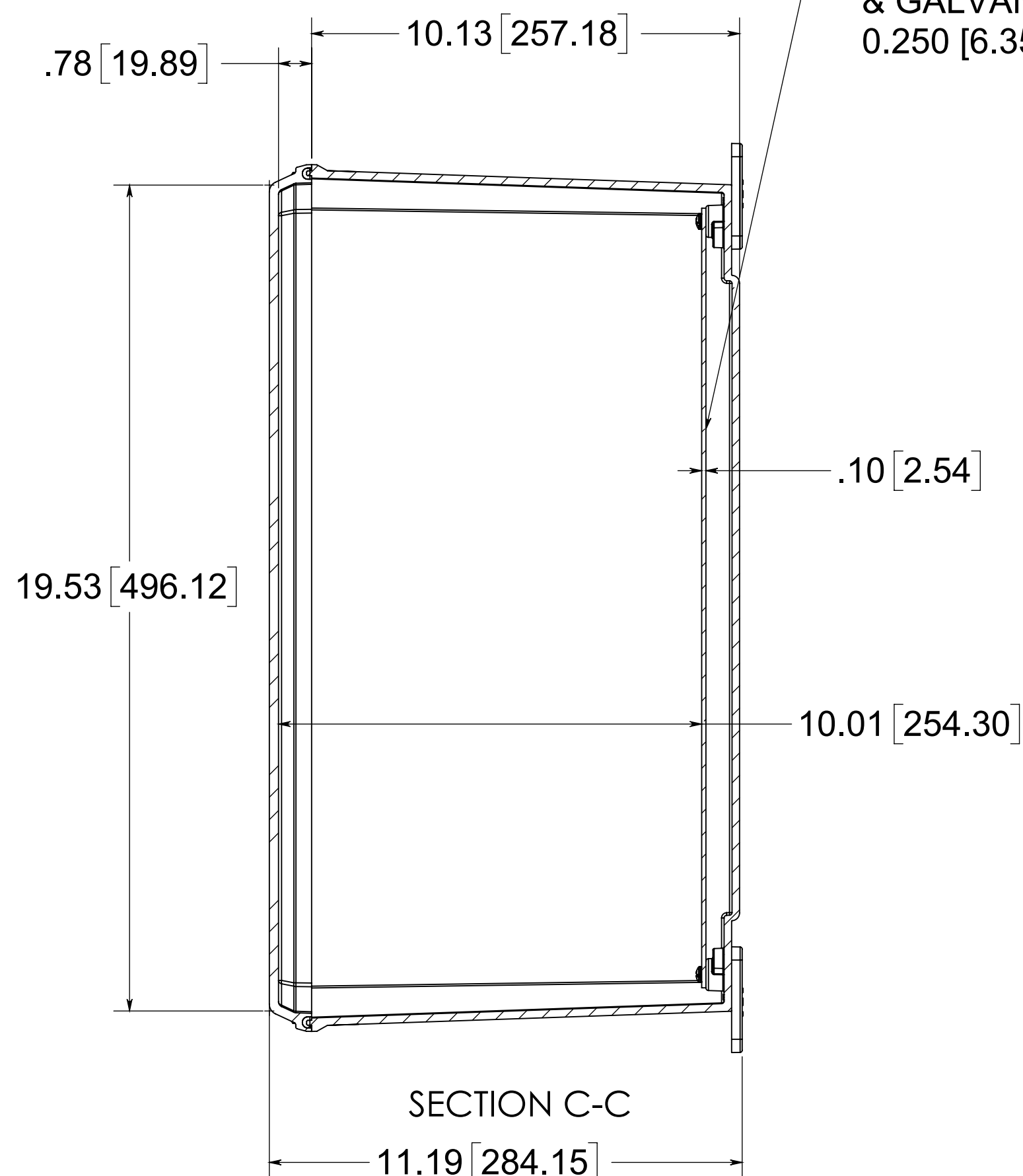


Date	Rev	Description	ECN No.	ISSUE DATE	DR	CK	REL
03/15/2018		INITIAL RELEASE	ECN-12535		SRH	SMZ	GEL
-	-	-	-	-	-	-	-
-	-	-	-	-	-	-	-

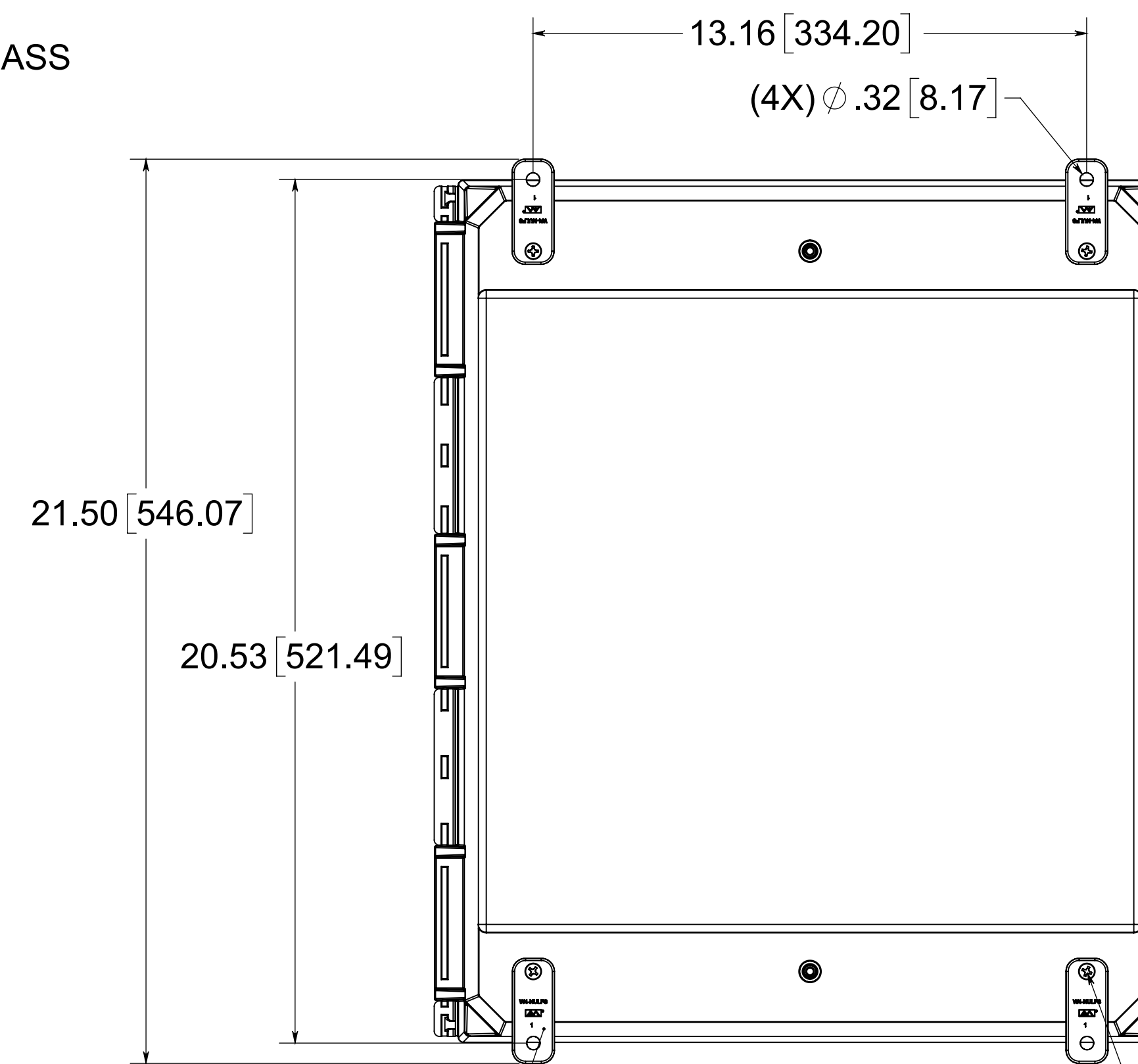


(4X) EACH #10-32 BRASS INSERTS AND 316 STAINLESS STEEL CAPTIVE COVER SCREWS



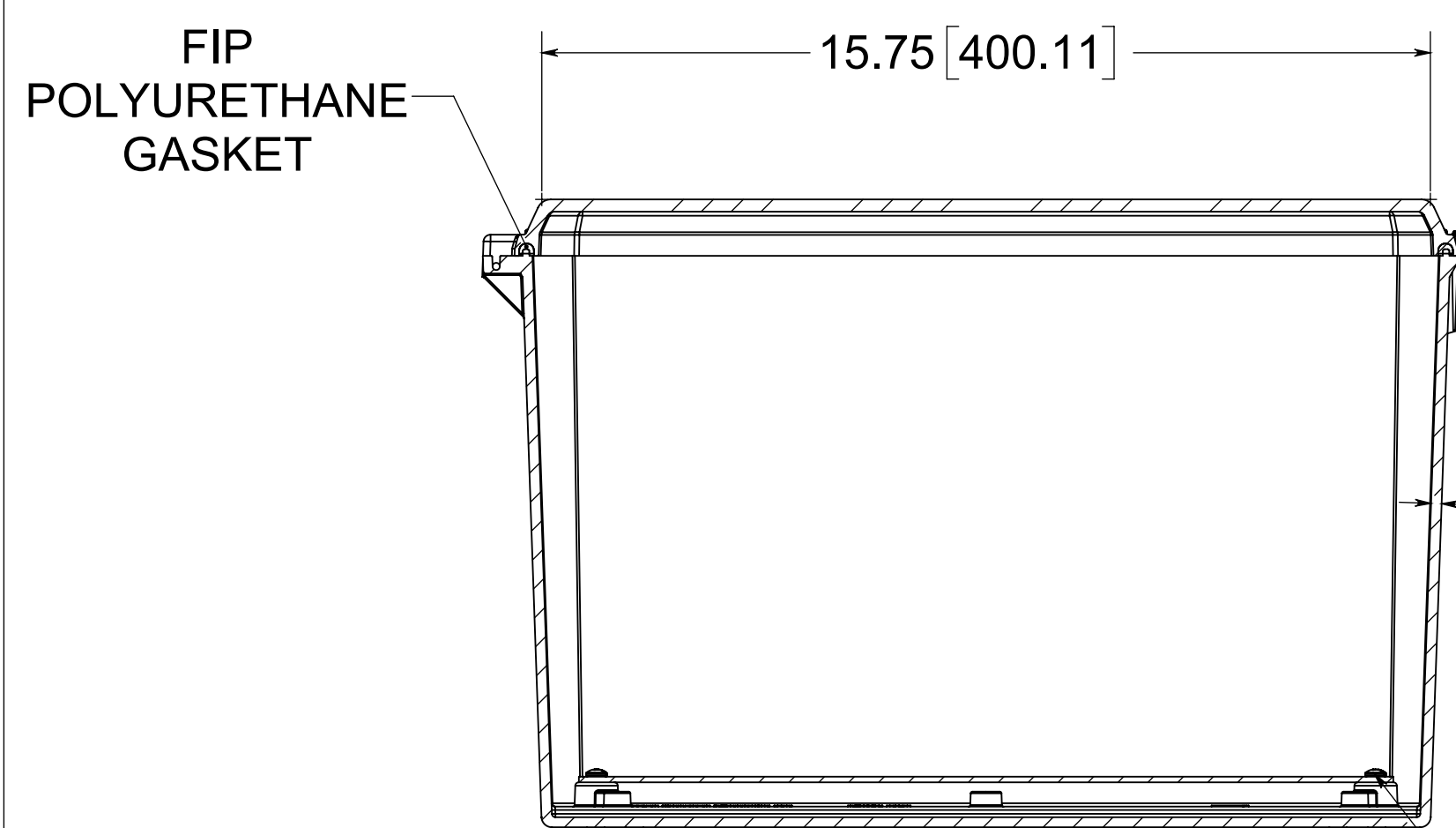
SECTION C-C

OPTIONAL BACK PANEL  
 0.100 [2.54] TH'K - ALUMINUM  
 0.075 [1.91] TH'K - WHITE STEEL & GALVANNEALED  
 0.250 [6.35] TH'K - FIBERGLASS



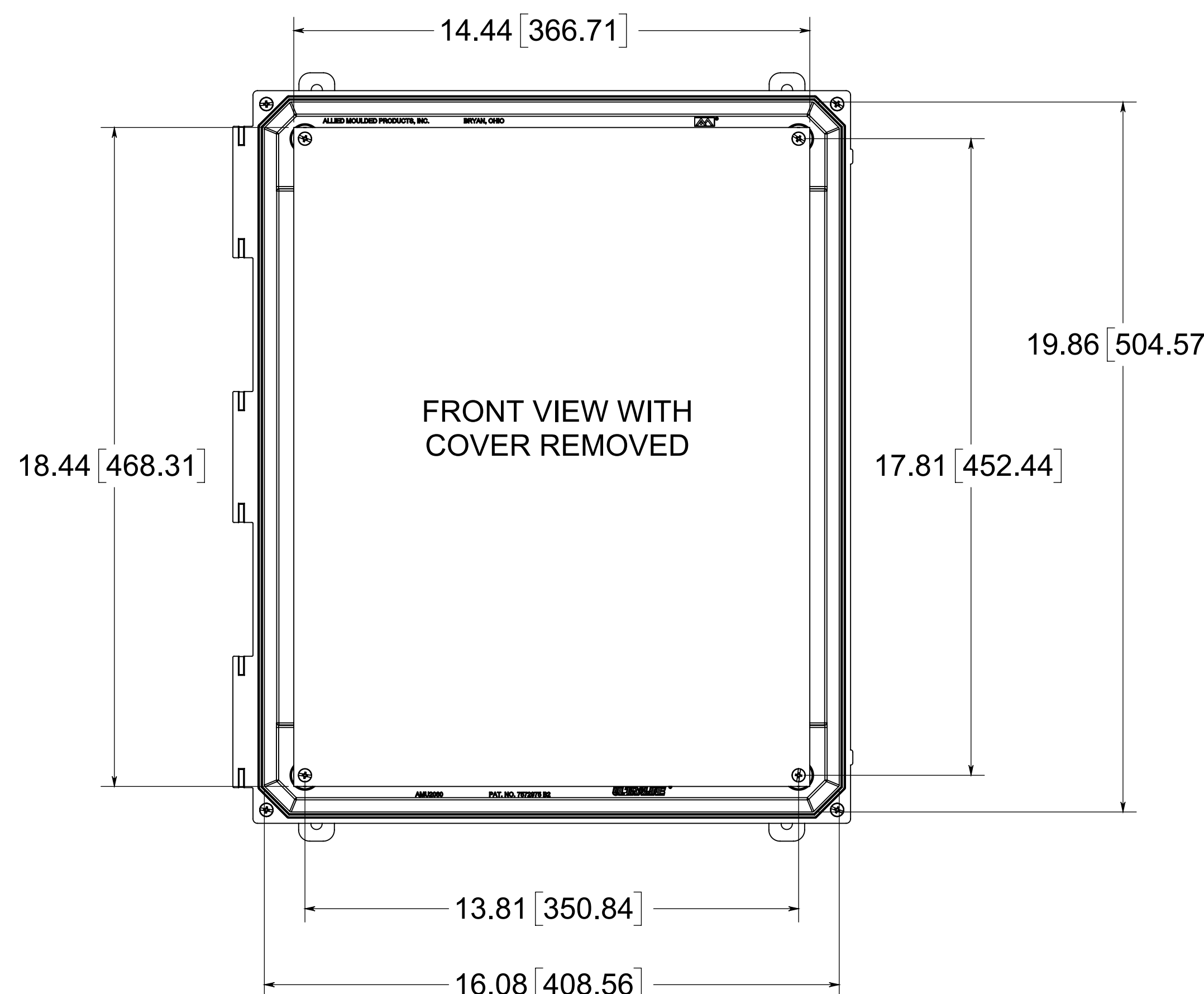
(4X) POLYCARBONATE FEET

(4X) EACH #10-32 BRASS INSERT AND 316 STAINLESS STEEL FLANGE AND FEET SCREWS



SECTION B-B

(4X) EACH #10-32 BRASS INSERT AND PLATED CARBON STEEL SCREWS



FRONT VIEW WITH COVER REMOVED

MATERIAL:  
 BOX: INJECTION MOLDED POLYCARBONATE  
 STANDARD COVER: INJECTION MOLDED POLYCARBONATE  
 CLEAR COVER: INJECTION MOLDED POLYCARBONATE

NOTE:  
 1. DATA SUBJECT TO CHANGE



**CONFIDENTIAL**  
 THIS MATERIAL IS OWNED BY THE ALLIED MOULDED PRODUCTS COMPANY. IS DISCLOSED IN CONFIDENCE, AND IS NOT TO BE REPRODUCED OR DISTRIBUTED WITHOUT PRIOR WRITTEN PERMISSION FROM ALLIED MOULDED PRODUCTS.  
 © Allied Moulded Products, Inc. All Rights Reserved

Description  
**AMU Ultraline**  
 Part No.  
**AMU2060CC**