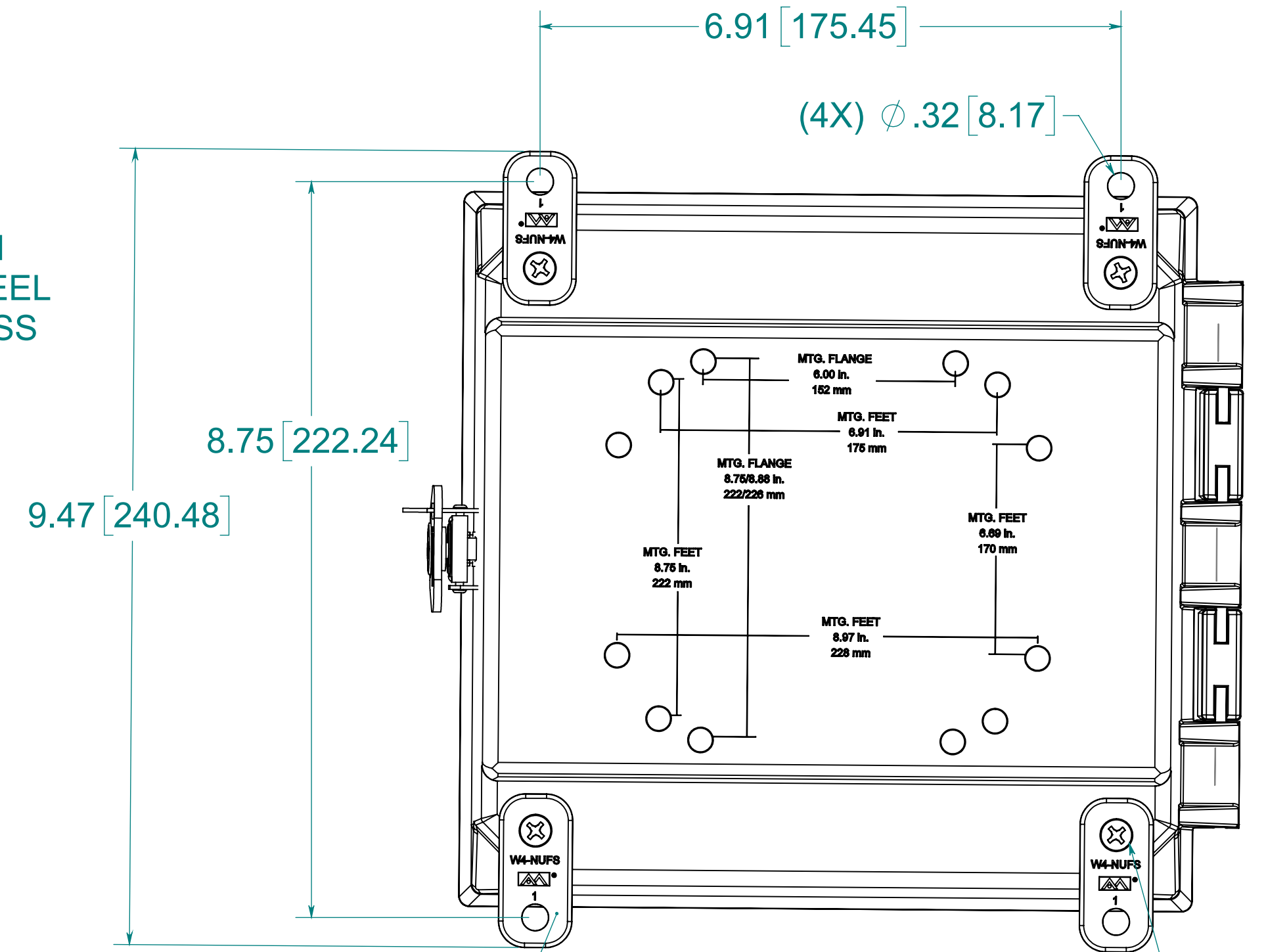
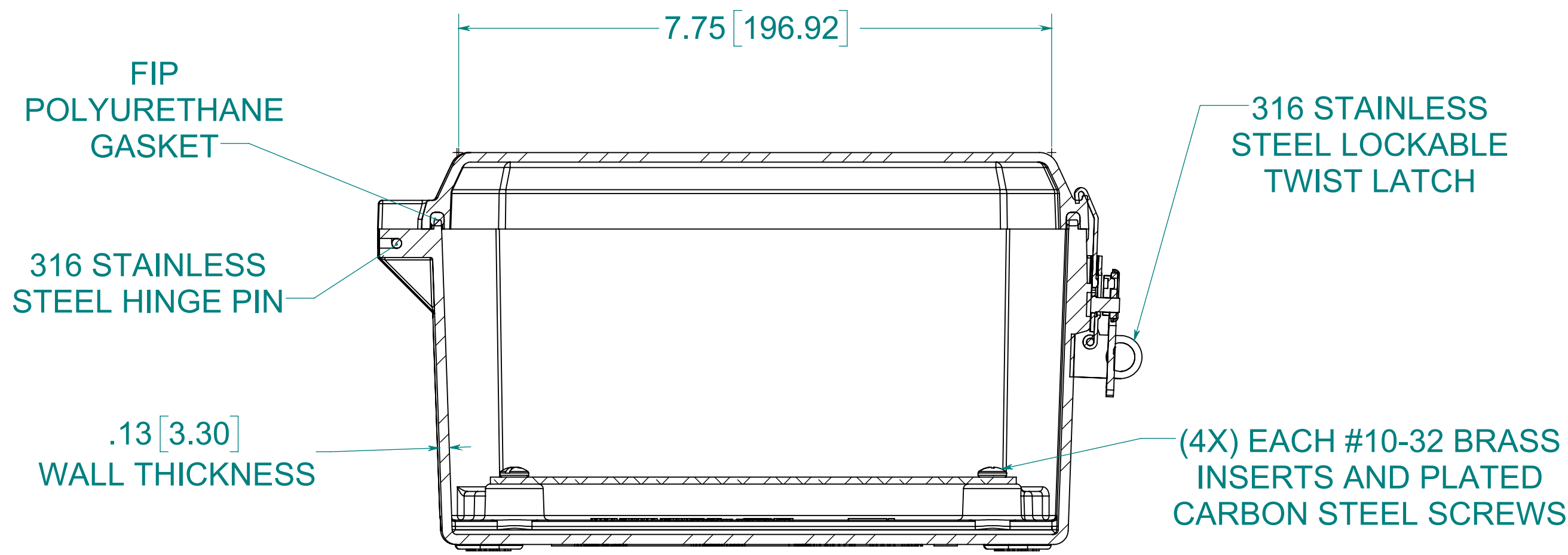


OPTIONAL BACK PANEL  
 0.100 [2.54] TH'K- ALUMINUM  
 0.075 [1.91] TH'K- WHITE STEEL  
 0.125 [3.18] TH'K- FIBERGLASS

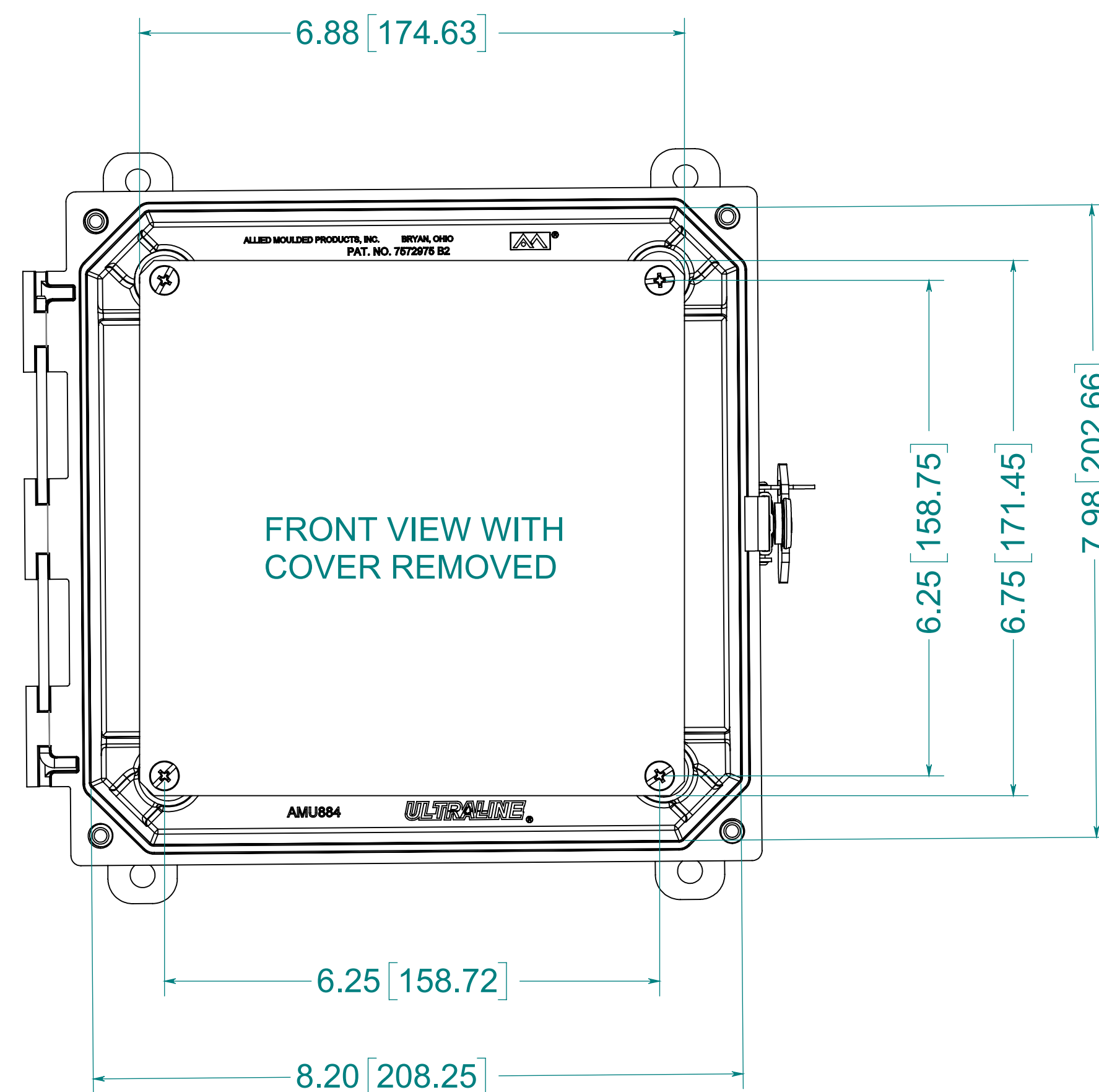


(4X) POLYCARBONATE FEET

(4X) EACH #10-32 BRASS INSERTS AND 316 STAINLESS STEEL FEET SCREWS



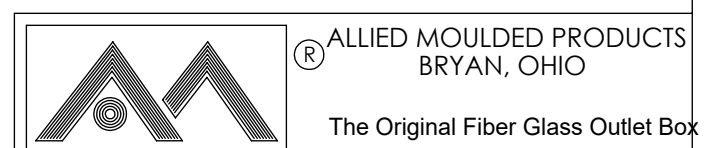
SECTION B-B



FRONT VIEW WITH COVER REMOVED

NOTE:  
 DATA SUBJECT TO CHANGE WITHOUT NOTICE

**MATERIAL:**  
 BOX- COMPRESSION MOLDED FIBERGLASS REINFORCED POLYESTER  
 COVER- COMPRESSION MOLDED FIBERGLASS REINFORCED POLYESTER  
 CLEAR COVER- INJECTION MOLDED POLYCARBONATE



**CONFIDENTIAL**  
 THIS MATERIAL IS OWNED BY THE ALLIED MOULDED PRODUCTS COMPANY, IS DISCLOSED IN CONFIDENCE, AND IS NOT TO BE REPRODUCED OR DISTRIBUTED WITHOUT PRIOR WRITTEN PERMISSION FROM ALLIED MOULDED PRODUCTS.  
 © 2017 Allied Moulded Products, Inc. All Rights Reserved

Description  
**AMU Ultraline**  
 Part No.  
**AMU884CCT**