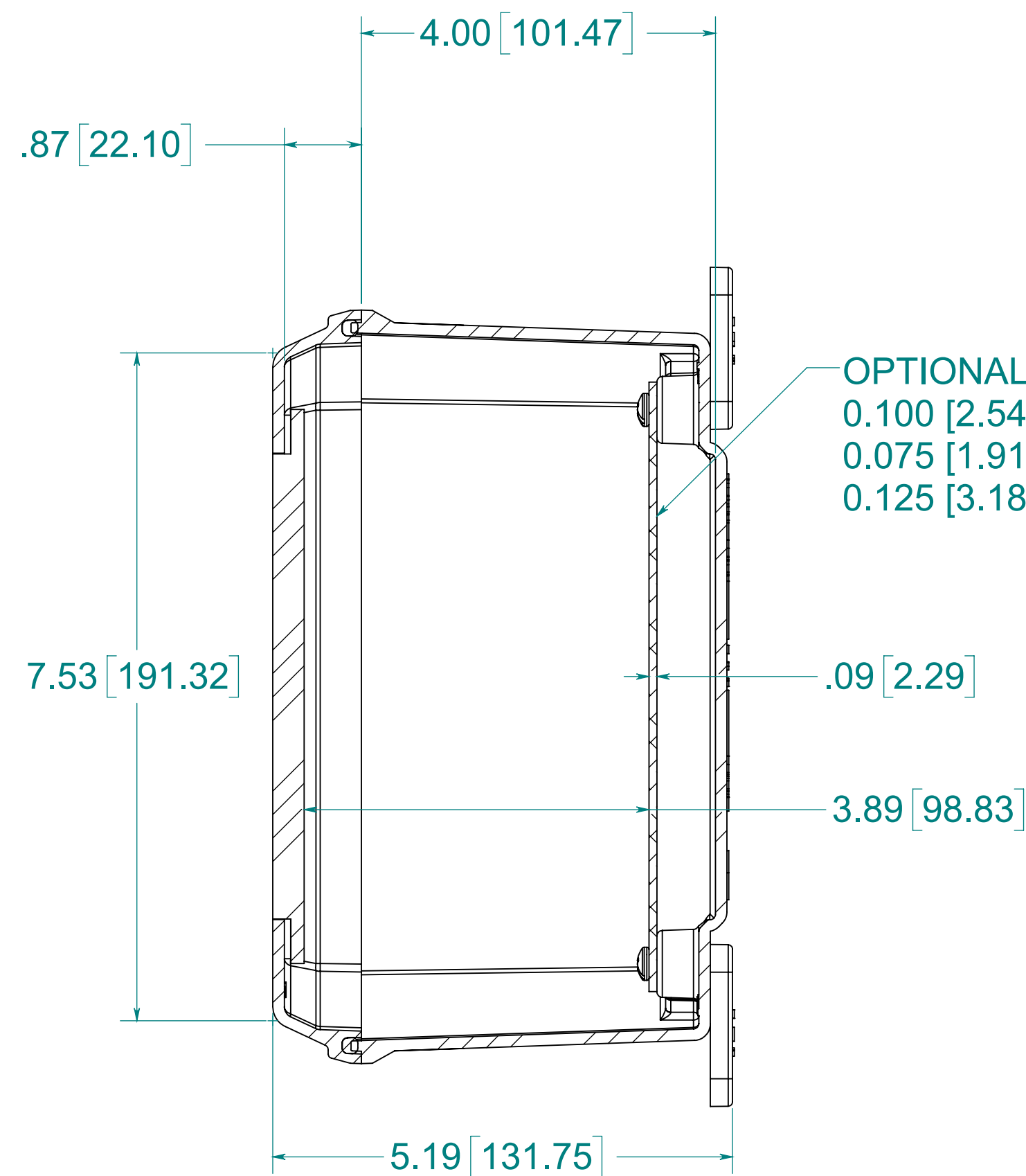
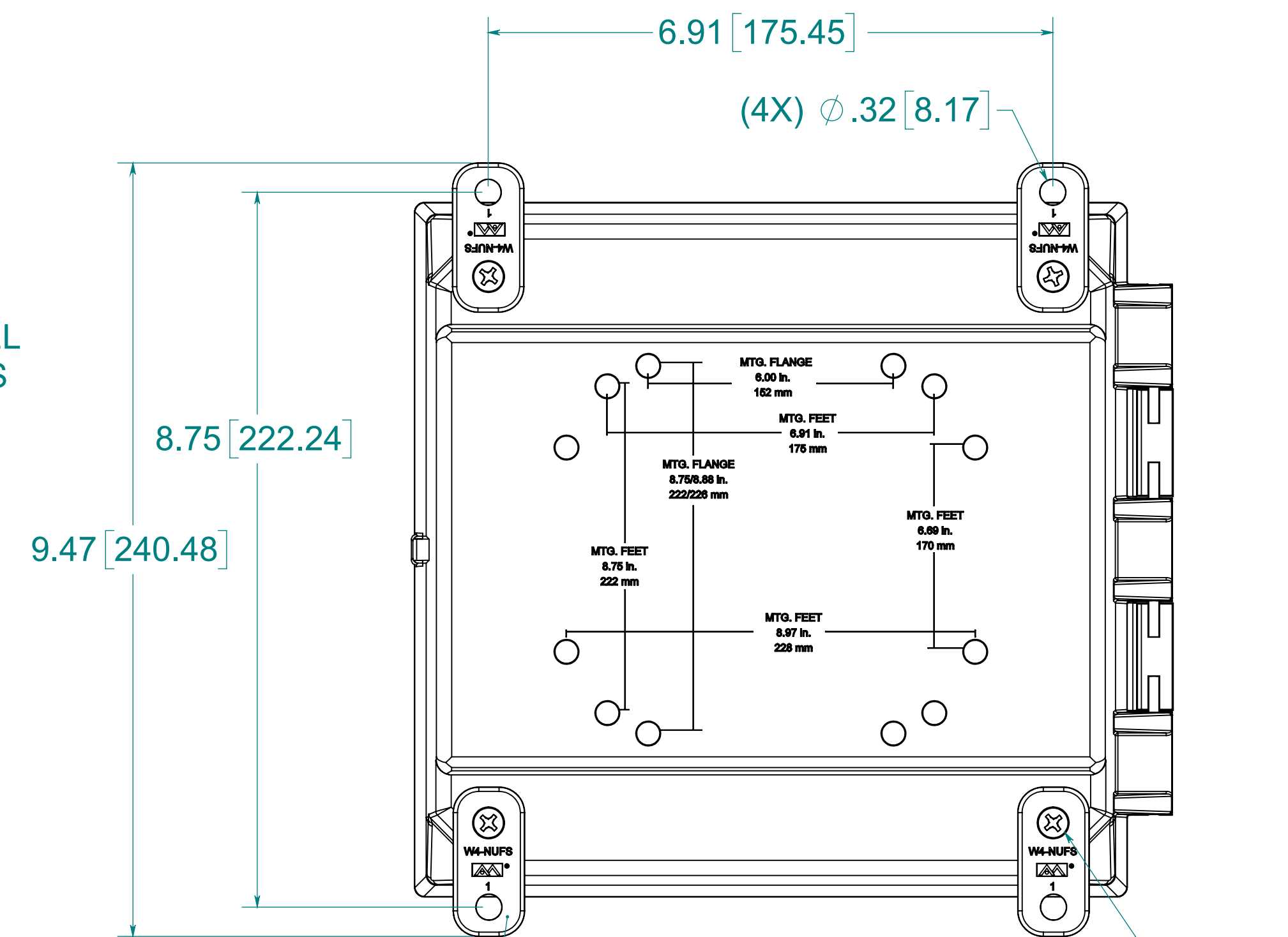


(4X) #10-32 BRASS
INSERTS AND 316 STAINLESS
STEEL CAPTIVE COVER SCREWS



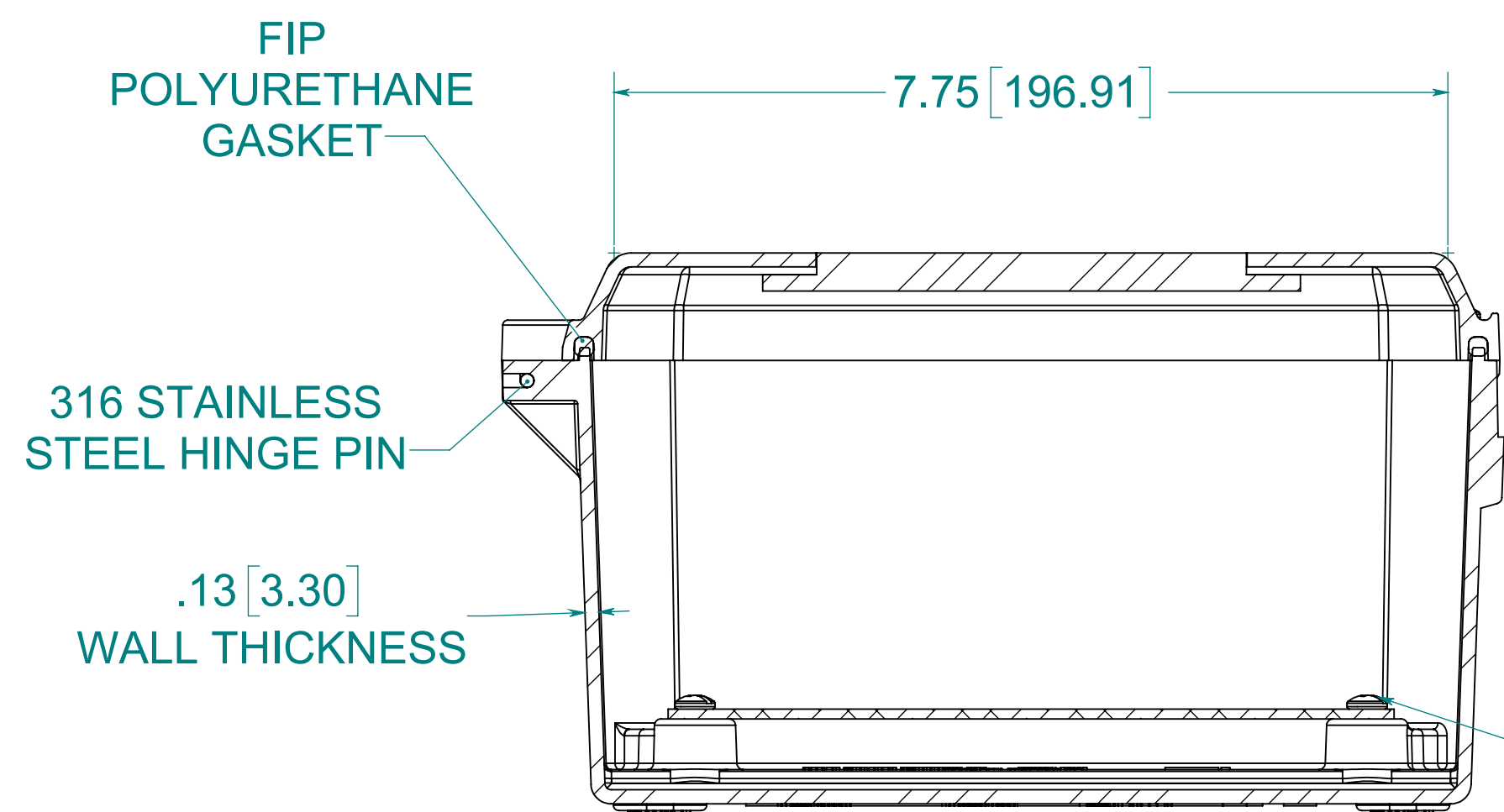
SECTION A-A

OPTIONAL BACK PANEL
0.100 [2.54] TH'K- ALUMINUM
0.075 [1.91] TH'K- WHITE STEEL
0.125 [3.18] TH'K- FIBERGLASS



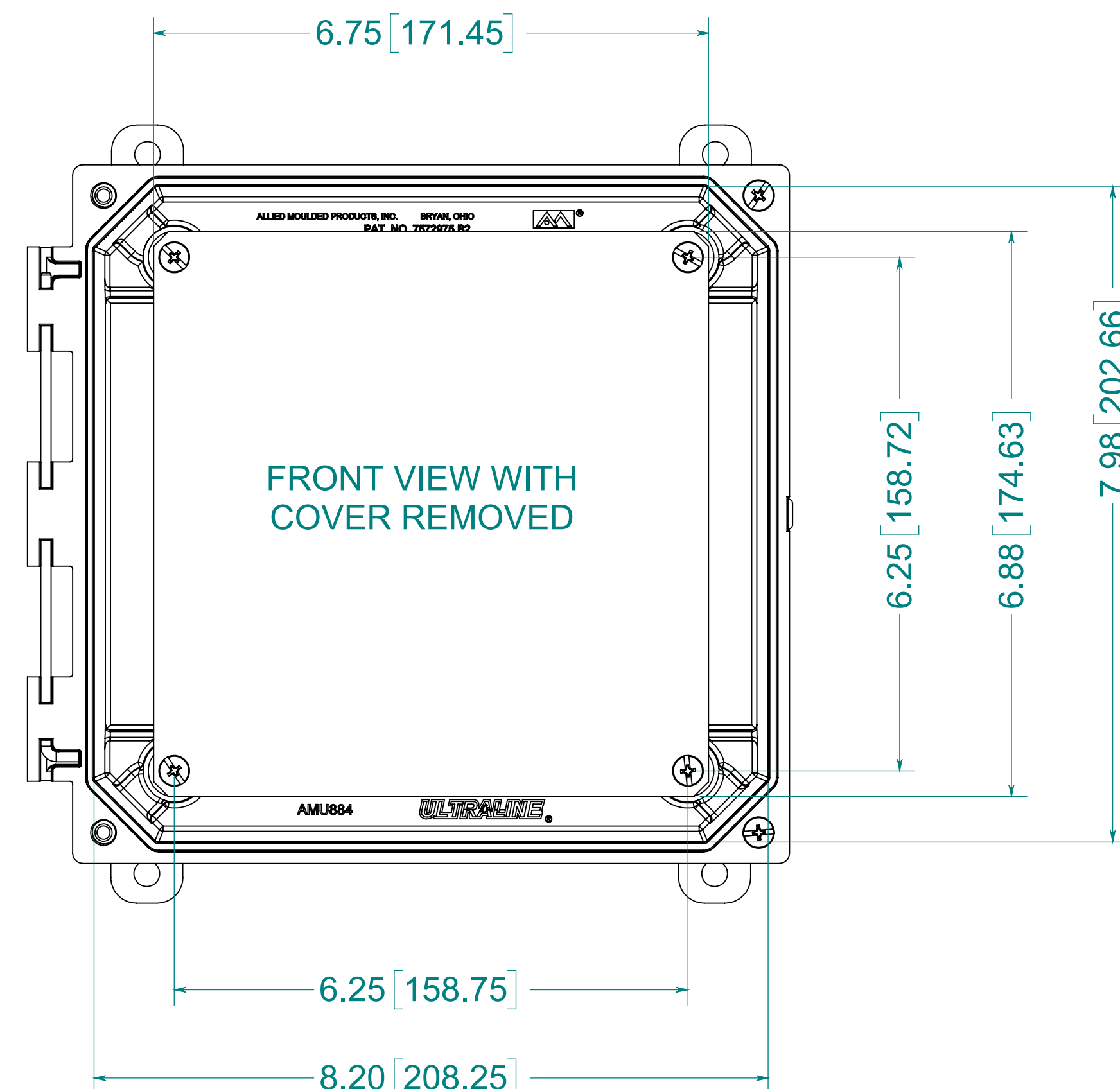
(4X) POLYCARBONATE
FEET

(4X) EACH #10-32 BRASS
INSERTS AND 316 STAINLESS
STEEL FEET SCREWS



SECTION B-B

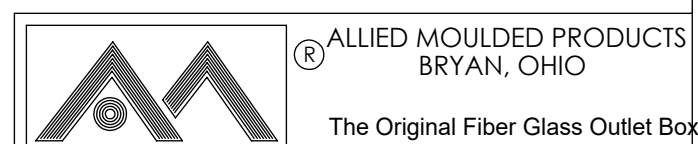
(4X) EACH #10-32 BRASS
INSERTS AND PLATED
CARBON STEEL SCREWS



FRONT VIEW WITH
COVER REMOVED

NOTE:
1. DATA SUBJECT TO CHANGE WITHOUT NOTICE

MATERIAL:
BOX- COMPRESSION MOLDED FIBERGLASS REINFORCED POLYESTER
COVER- COMPRESSION MOLDED FIBERGLASS REINFORCED POLYESTER
WINDOW- POLYCARBONATE



CONFIDENTIAL
THIS MATERIAL IS OWNED BY THE ALLIED
MOULDED PRODUCTS COMPANY, IS DISCLOSED
IN CONFIDENCE, AND IS NOT TO BE REPRODUCED
OR DISTRIBUTED WITHOUT PRIOR WRITTEN
PERMISSION FROM ALLIED MOULDED PRODUCTS.
© 2017 Allied Moulded Products, Inc.
All Rights Reserved

Description
AMU Ultraline
Part No.
AMU884HW