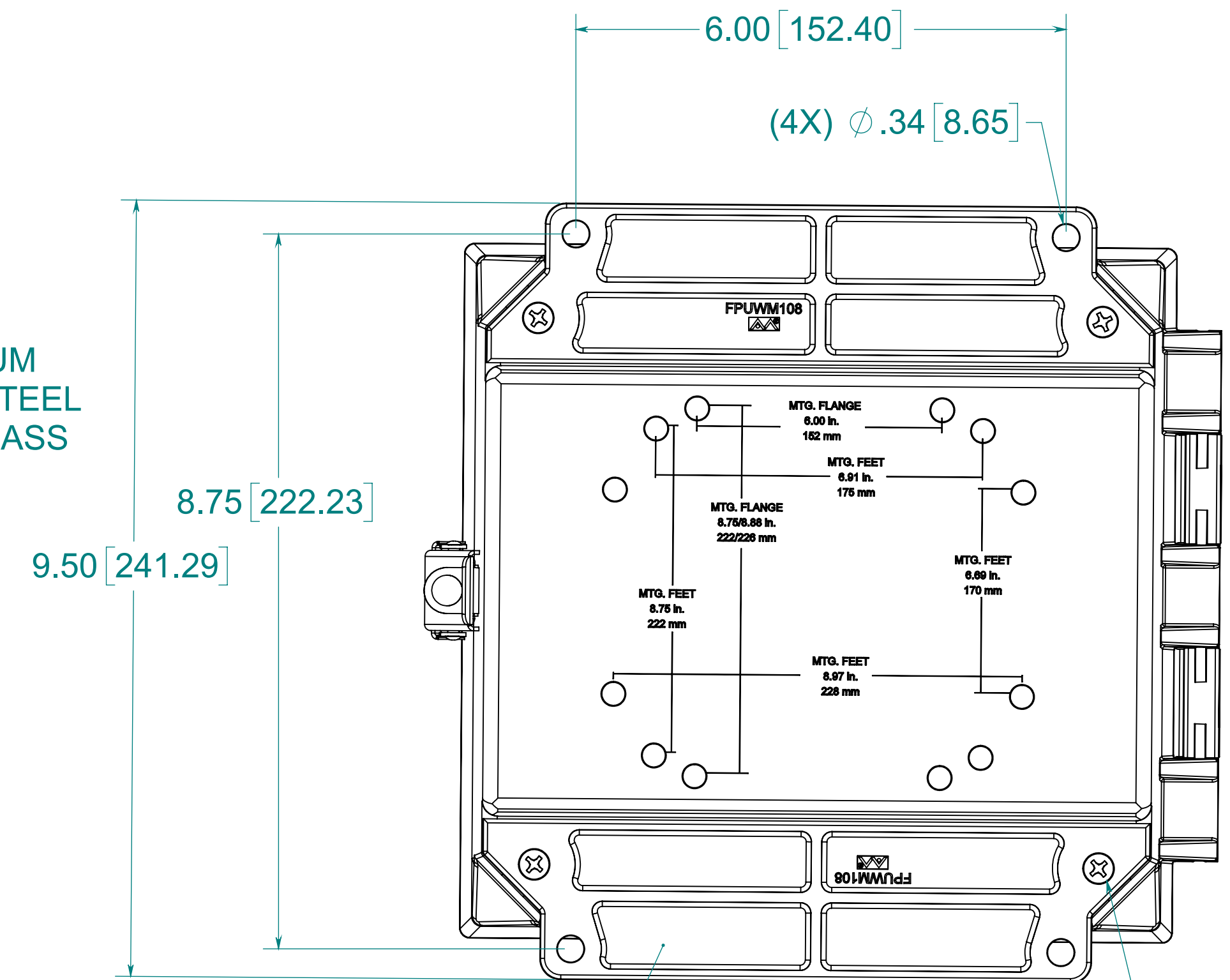


OPTIONAL BACK PANEL  
 0.100 [2.54] TH'K- ALUMINUM  
 0.075 [1.91] TH'K- WHITE STEEL  
 0.125 [3.18] TH'K- FIBERGLASS



(2X) POLYCARBONATE FLANGES

(4X) EACH #10-32 BRASS INSERT AND 316 STAINLESS STEEL FLANGE SCREWS

SECTION A-A

FIP POLYURETHANE GASKET

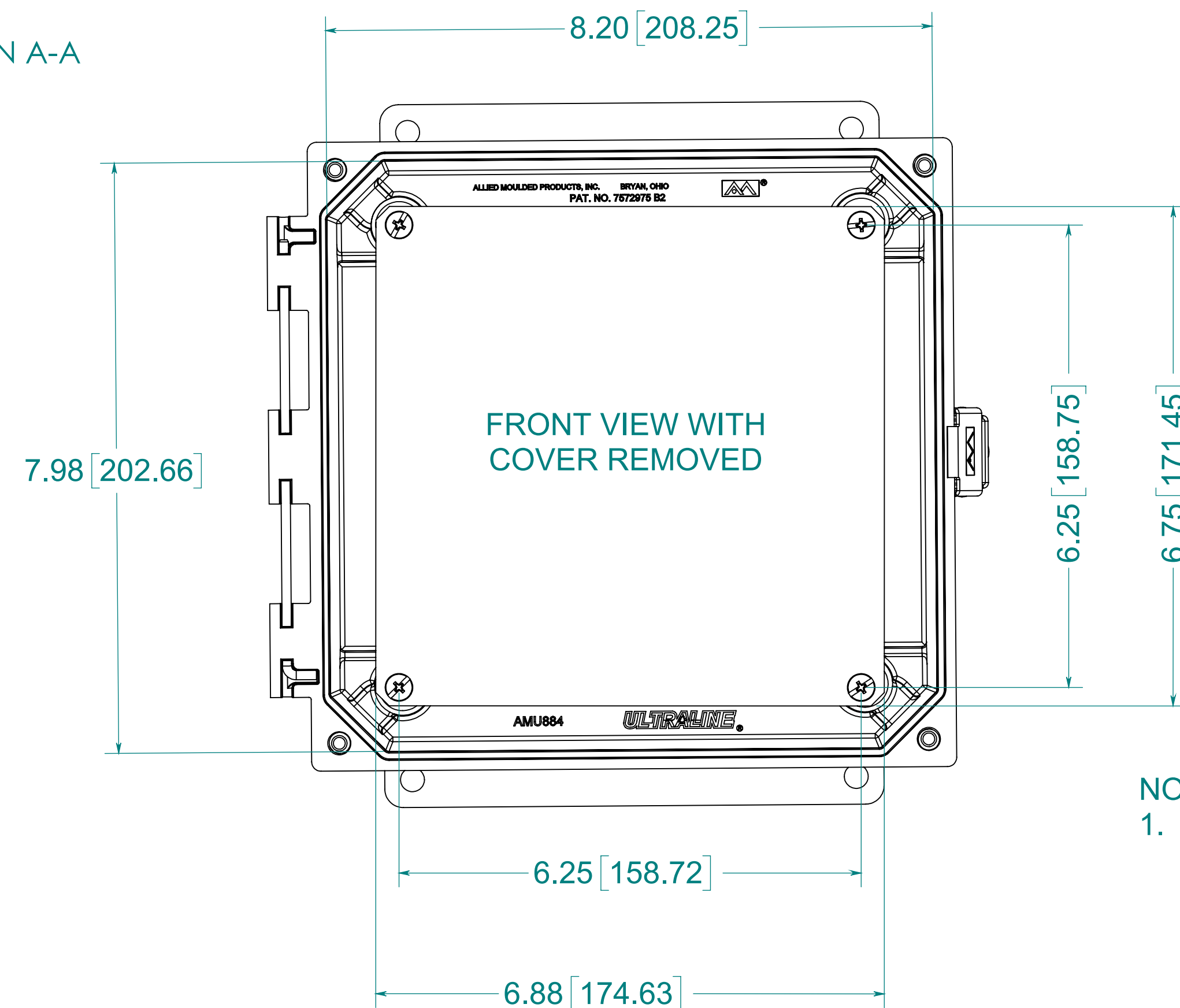
316 STAINLESS STEEL HINGE PIN

316 STAINLESS STEEL LOCKABLE SNAP LATCH

(4X) EACH #10-32 BRASS INSERT AND PLATED CARBON STEEL SCREWS

.13 [3.30] WALL THICKNESS

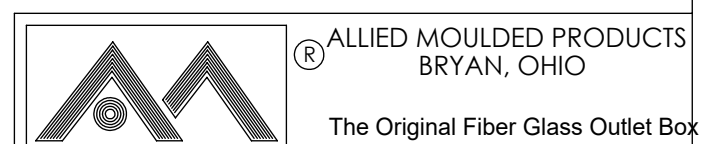
SECTION B-B



NOTE:  
 1. DATA SUBJECT TO CHANGE WITHOUT NOTICE

MATERIAL:

BOX- COMPRESSION MOLDED FIBERGLASS REINFORCED POLYESTER  
 COVER- COMPRESSION MOLDED FIBERGLASS REINFORCED POLYESTER  
 CLEAR COVER- INJECTION MOLDED POLYCARBONATE



CONFIDENTIAL  
 THIS MATERIAL IS OWNED BY THE ALLIED MOULDED PRODUCTS COMPANY, IS DISCLOSED IN CONFIDENCE, AND IS NOT TO BE REPRODUCED OR DISTRIBUTED WITHOUT PRIOR WRITTEN PERMISSION FROM ALLIED MOULDED PRODUCTS.  
 © 2017 Allied Moulded Products, Inc. All Rights Reserved

Description  
**AMU Ultraline**  
 Part No.  
**AMU884LF**