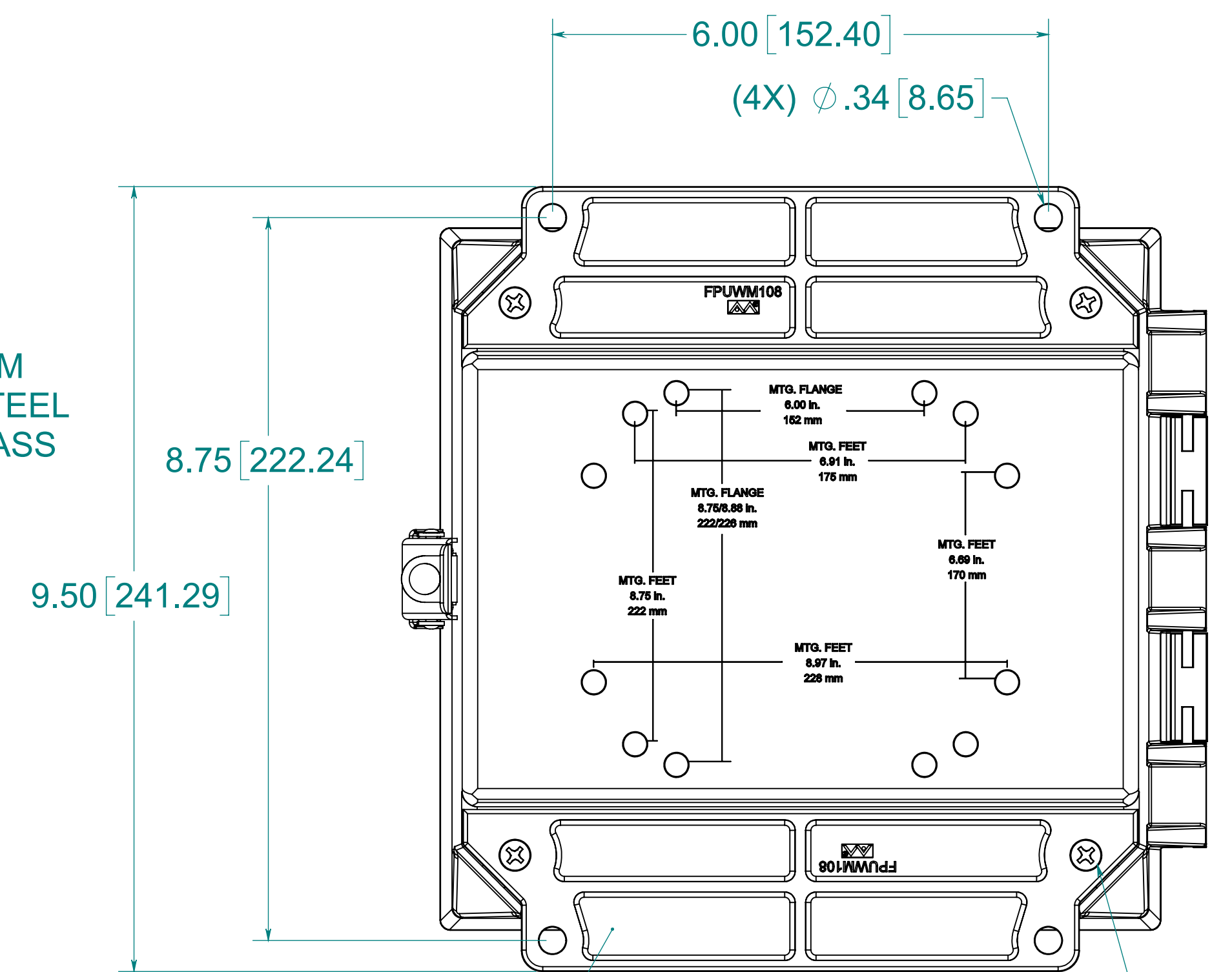
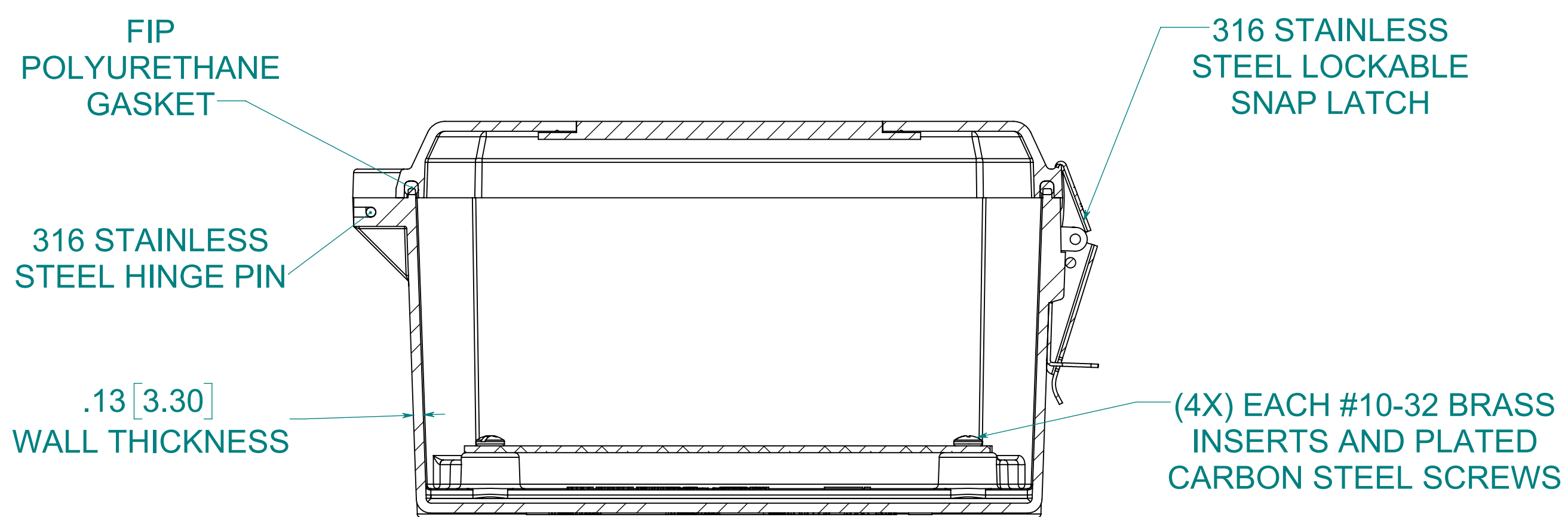


SECTION A-A



(2X) POLYCARBONATE FLANGES

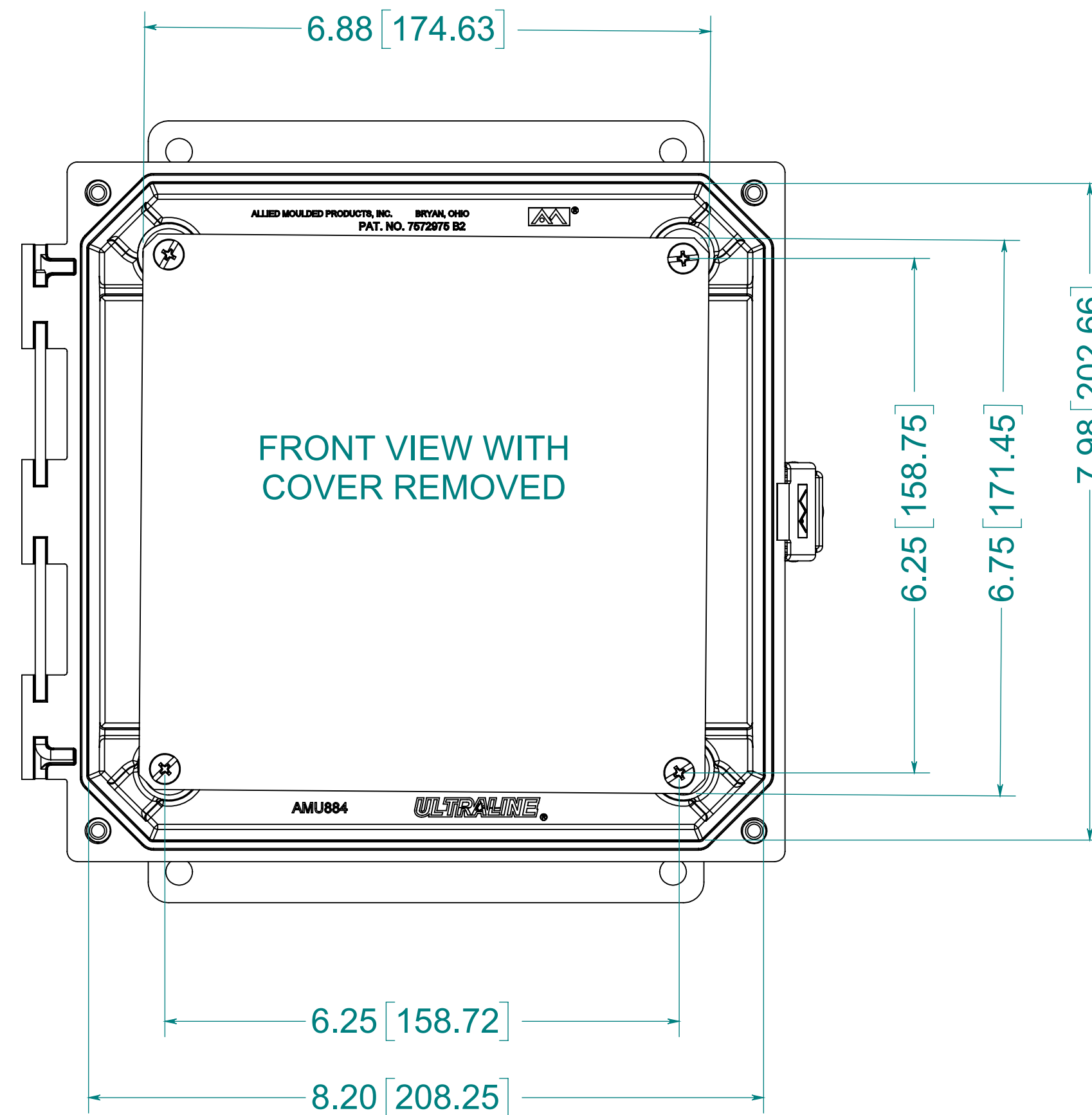
(4X) EACH #10-32 BRASS INSERTS AND 316 STAINLESS STEEL FEET SCREWS



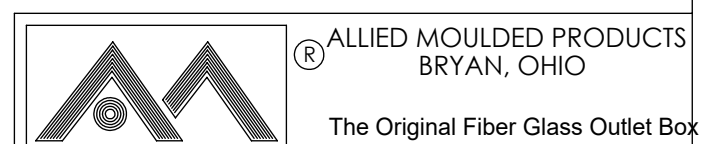
SECTION B-B

MATERIAL:

BOX- COMPRESSION MOLDED FIBERGLASS REINFORCED POLYESTER
 COVER- COMPRESSION MOLDED FIBERGLASS REINFORCED POLYESTER
 WINDOW- POLYCARBONATE



NOTE:
 1. DATA SUBJECT TO CHANGE WITHOUT NOTICE



CONFIDENTIAL
 THIS MATERIAL IS OWNED BY THE ALLIED MOULDED PRODUCTS COMPANY, IS DISCLOSED IN CONFIDENCE, AND IS NOT TO BE REPRODUCED OR DISTRIBUTED WITHOUT PRIOR WRITTEN PERMISSION FROM ALLIED MOULDED PRODUCTS.
 © 2017 Allied Moulded Products, Inc.
 All Rights Reserved

Description
AMU Ultraline
 Part No.
AMU884LWF