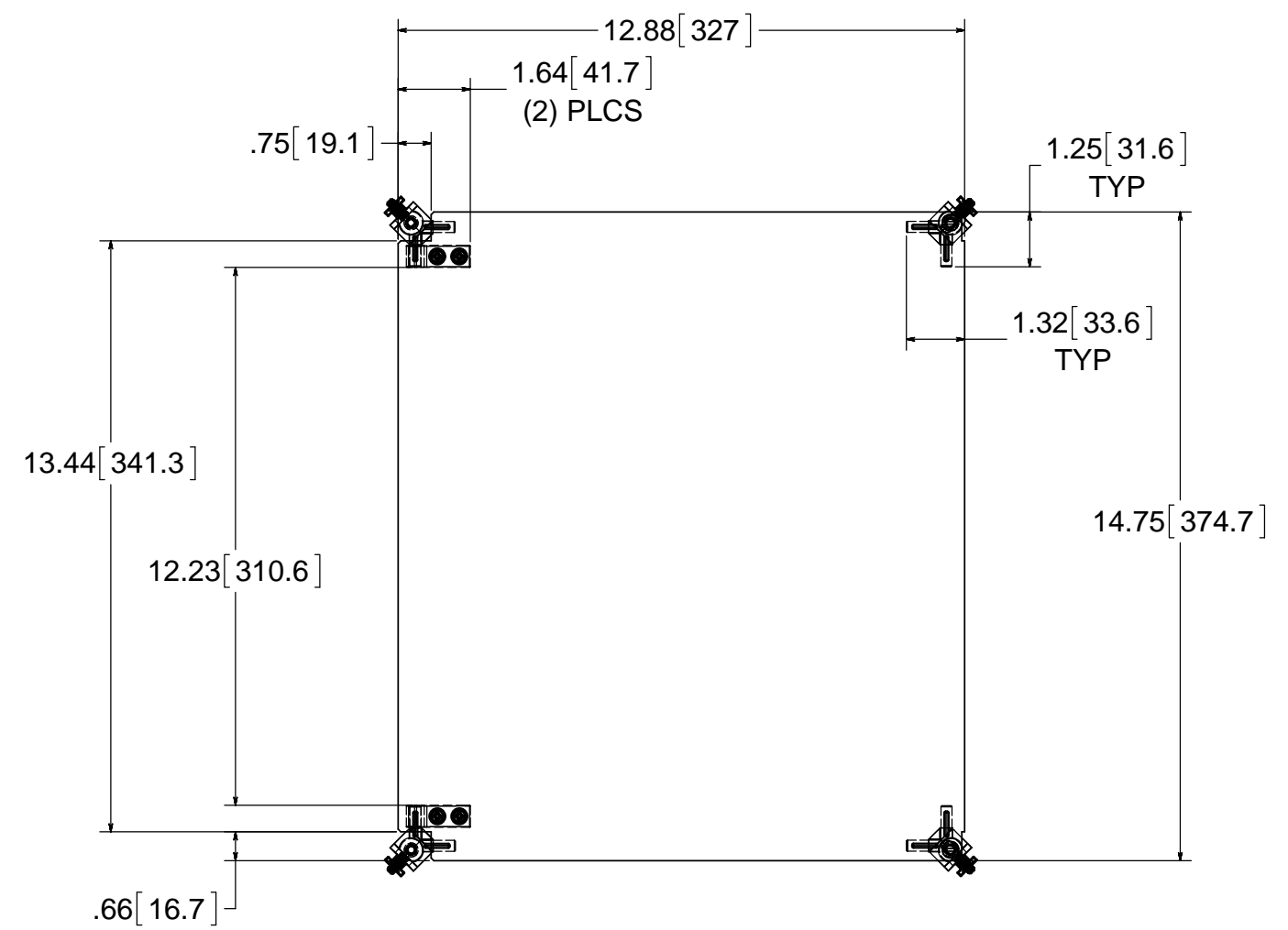
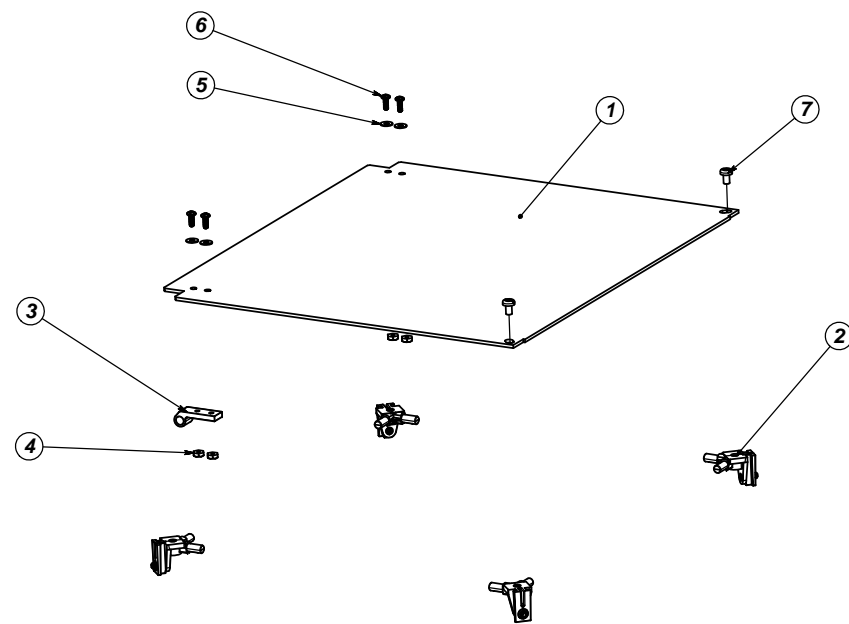


OPTIONAL BACK PANEL, SOLD SEPARATELY  
ALUMINUM OR PAINTED STEEL AVAILABLE




PANEL DIMENSIONS WITH MOUNTING HARDWARE ONLY



ITEM NO.	PART NUMBER	DESCRIPTION	QTY.
1	70-HFPP1642	HINGED FRONT PANEL, POLYLINE 16x14, ALUMINUM	1
2	WPSLIDER22I	SLIDER2 FOR POLYLINE P16, P18 WITH INSERTS	4
3	WPHINGE-HFPP	FRONT PANEL HINGE	2
4	70-632	#6-32 HEX MACHINE SCREW NUT	4
5	70-60431316	#6 FLAT WASHER	4
6	70-60428316	COMBO PAN HEAD MACHINE SCREW	4
7	55-1032516	COMBO PAN HEAD MACHINE SCREW	2

THIS MATERIAL IS OWNED BY THE ALLIED MOULDED PRODUCTS COMPANY. IS DISCLOSED IN CONFIDENCE, AND IS NOT TO BE REPRODUCED OR DISTRIBUTED WITHOUT PRIOR WRITTEN PERMISSION FROM ALLIED MOULDED PRODUCTS.



ALLIED MOULDED PRODUCTS  
BRYAN, OHIO  
The Original Fiber Glass Outlet Box

Description  
**AMP Polyline**

Part No.  
**HFPP164**