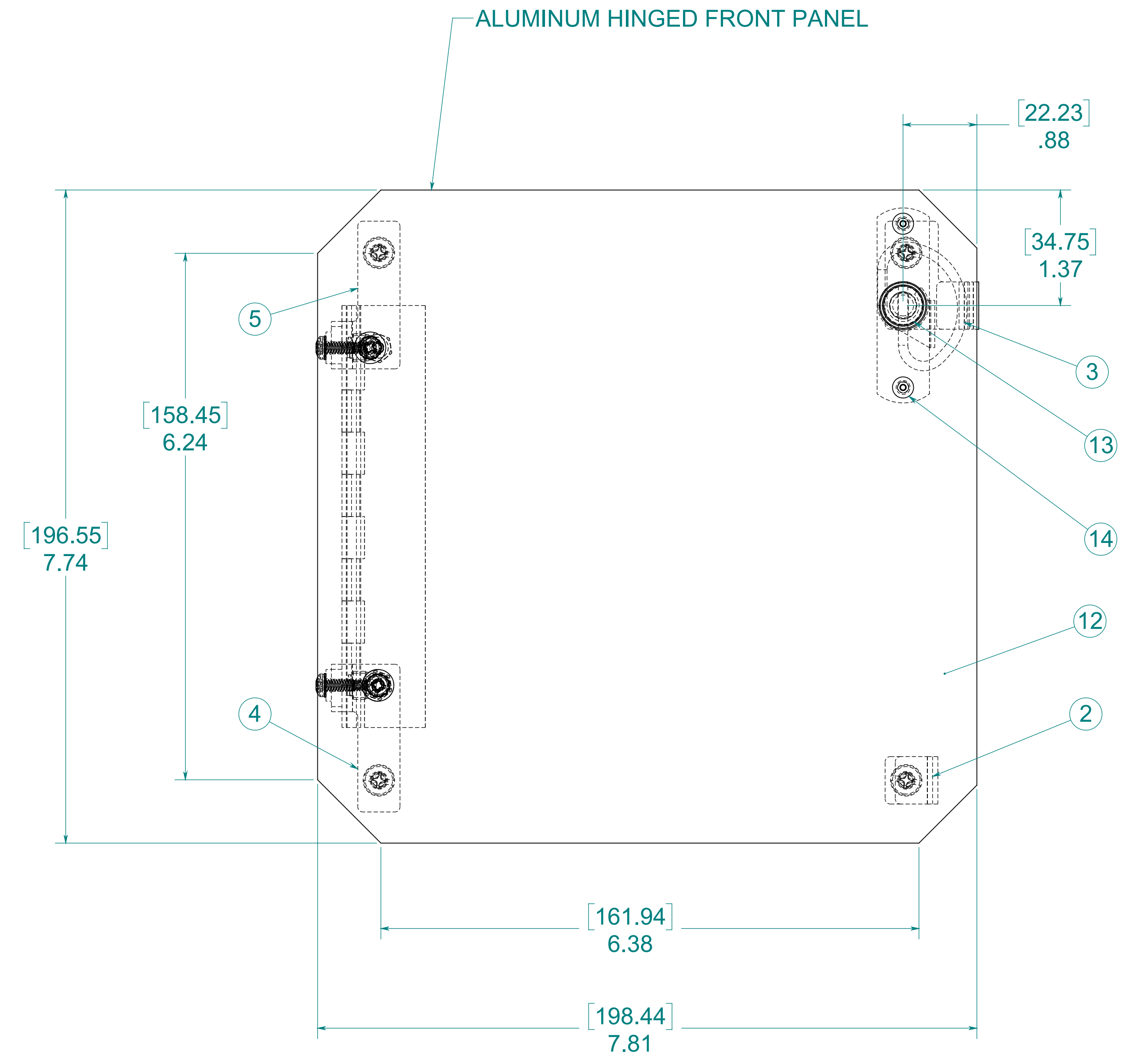
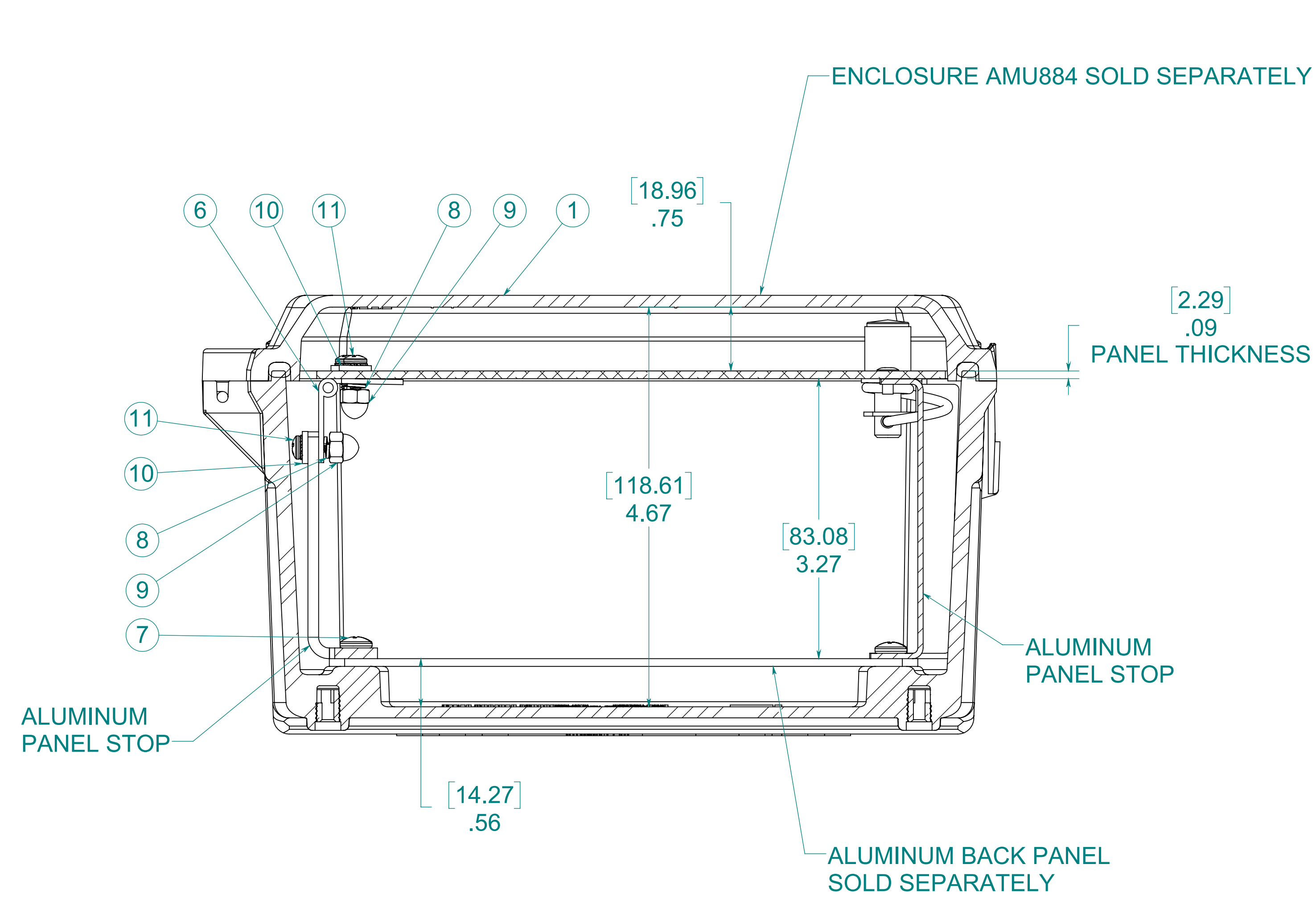
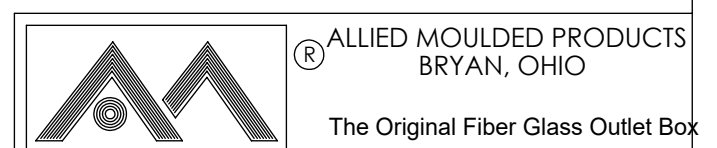


Date	Rev	Description	ECN No.	ISSUE DATE	DR	CK	REL
05/16/2023	01	INITIAL RELEASE	ECN-2039		DJL	BFB	RNT
-	-	-	-	-	-	-	-
-	-	-	-	-	-	-	-



PANEL DIMENSIONS ONLY

ITEM NO.	PART NUMBER	DESCRIPTION	QTY.
1	AMU884	AMU Ultraline	1
2	70-UPANST4	ULTRALINE PANEL STOP (4"DP.)	1
3	70-UPANST4EXT	ULTRALINE PANEL STOP W/EXTENSION (4" DP.)	1
4	70-USTDOFF4EXTL	ULTRALINE STANDOFF W/EXTENSION-LEFT (864 BOX)	1
5	70-USTDOFF4EXTR	ULTRALINE STANDOFF W/EXTENSION-RIGHT (864 BOX)	1
6	70-60804	PANEL HINGE-5"	1
7	55-1032716316	#10-32 x 7/16" COMBO PAN HEAD MACHINE SCREW	4
8	70-60426	#6 REGULAR HELICAL SPRING LOCK WASHER	4
9	70-60425	ACORN CAP NUT EXTRA SHORT	4
10	70-60431	#6 TYPE A PLAIN WASHER	4
11	70-63238	#6-32 X 3/8 PAN HEAD SEMS SCREW	4
12	WHFPU88	Swing Panel, AMU 8x8, aluminum	1
13	70-60861	SPRING LATCH	1
14	70-60511316	1/8" BREAK MANDREL BLIND RIVET	2



THIS MATERIAL IS OWNED BY THE ALLIED MOULDED PRODUCTS COMPANY, IS DISCLOSED IN CONFIDENCE, AND IS NOT TO BE REPRODUCED OR DISTRIBUTED WITHOUT PRIOR WRITTEN PERMISSION FROM ALLIED MOULDED PRODUCTS. © 2018 Allied Moulded Products, Inc. All Rights Reserved

Access-Indus
HFPU88