

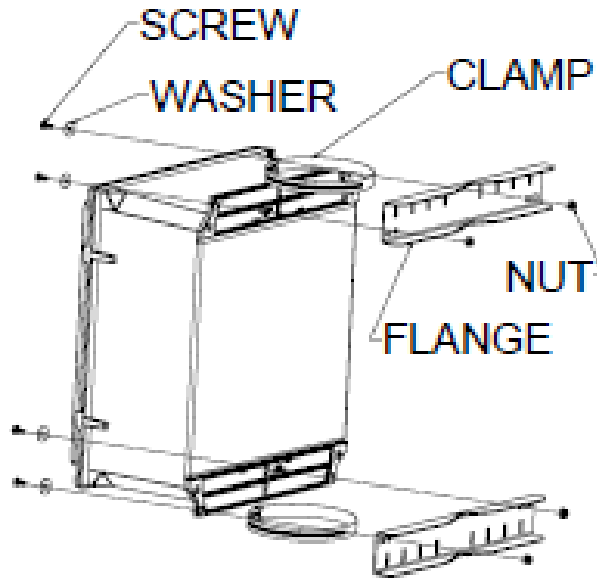


Instructions for Installing Enclosure Pole Mount Kit

Note: 1. Tools needed for installation are not provided.

2. Not for use on foot mount units/use on flange mount only

1. ATTACH POLE MOUNT BRACKET TO ENCLOSURE WITH PROVIDED HARDWARE.
2. THEN ATTACH ENCLOSURE TO POLE WITH METAL CLAMPS.



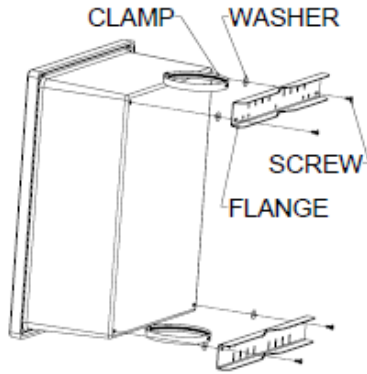
AMU SERIES & AMP SERIES PARTS LIST						
Part Number	AMPOLEMNT6	AMPOLEMNT8	AMPOLEMNT10	AMPOLEMNT12	AMPOLEMNT14	AMPOLEMNT16
FLANGE	2	2	2	2	2	2
CLAMP	2	2	2	2	2	2
SCREW	4	4	4	4	4	4
WASHER	4	4	4	4	4	4
NUT	4	4	4	4	4	4

Allied Moulded Products, Inc.
 222 North Union Street • Bryan, OH 43506
 Phone: 1-800-722-2679 • Fax: 1-800-237-7269
www.alliedmoulded.com

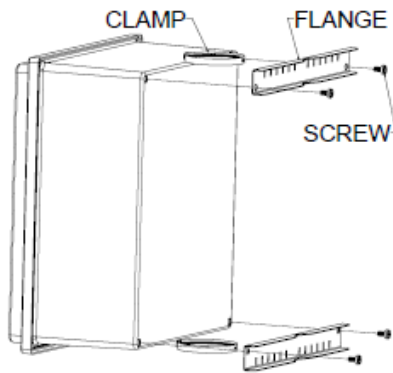


Instructions for Installing Enclosure Pole Mount Kit

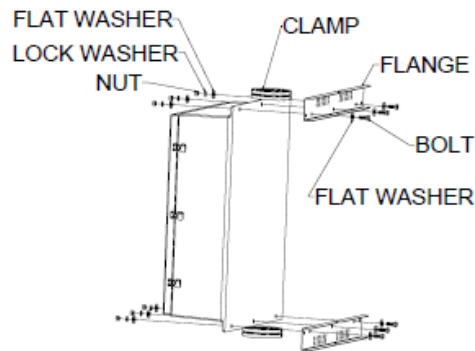
1. ATTACH POLE MOUNT BRACKET TO ENCLOSURE WITH PROVIDED HARDWARE.
2. THEN ATTACH ENCLOSURE TO POLE WITH METAL CLAMPS.



AM SERIES PARTS LIST						
Part Number	AMPOLEMNT6	AMPOLEMNT8	AMPOLEMNT10	AMPOLEMNT12	AMPOLEMNT14	AMPOLEMNT16
FLANGE	2	2	2	2	2	2
CLAMP	2	2	2	2	2	2
SCREW	4	4	4	4	4	4
WASHER	4	4	4	4	4	4
NUT	4	4	4	4	4	4



Part Number	AMPOLEMNT20	AMPOLEMNT24
FLANGE	2	2
CLAMP	2	2
SCREW	4	4



Part Number	AMPOLEMTEMP
FLANGE	2
CLAMP	4
BOLT	6
FLAT WASHER	12
LOCK WASHER	6
NUT	6

Allied Moulded Products, Inc.
222 North Union Street • Bryan, OH 43506
Phone: 1-800-722-2679 • Fax: 1-800-237-7269
www.alliedmoulded.com