

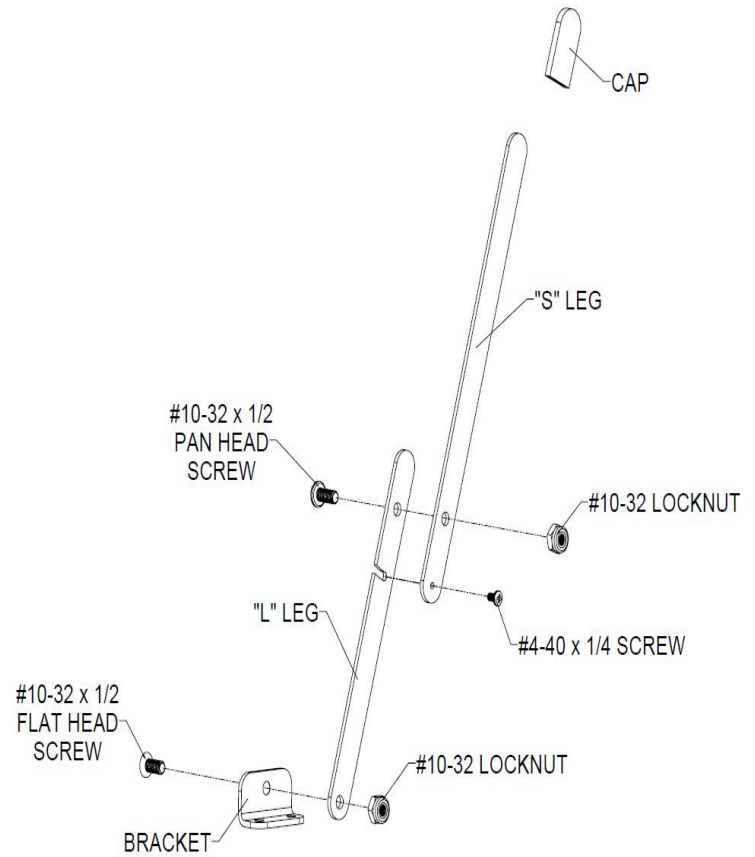


Instructions for Installing HMI Prop Arm Kit Assembly

NOTE: Phillips Screw Driver and Straight Screw Driver or similar tools and a 3/8" open end wrench is required to install Prop Arm Kit.

1. Place CAP on top of the (S) LEG.
2. Attach the (S) LEG to the (L) LEG by putting (1) #10-32 X 1/2" Pan Head Screw through the (L) LEG first then the (S) LEG and into (1) #10-32 Locknut, as shown.
3. Install the #4-40 X 1/4" Screw through the (S) LEG and into the slot of the (L) LEG, as shown.
4. Attach the (L) LEG to the BRACKET by installing (1) #10-32 X 1/2" Flat Head Screw through the back of the bracket and the (L) LEG and into (1) #10-32 Locknut.

NOTE: Right side mounting instructions shown. Reverse diagram installation instructions for left side HMI mounting.



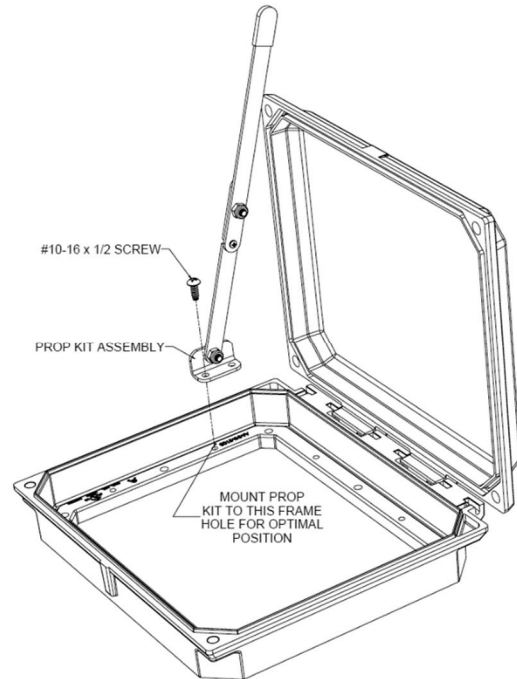
PARTS LIST						
Part Number	AMHMIPROP88	AMHMIPROP108	AMHMIPROP120	AMHMIPROP142	AMHMIPROP164	AMHMIPROP206
CAP	1	1	1	1	1	1
"S" LEG	1	1	1	1	1	1
"L" LEG	1	1	1	1	1	1
#10-32 x 1/2 FLAT HEAD SCREW	1	1	1	1	1	1
#10-32 x 1/2 PAN HEAD SCREW	1	1	1	1	1	1
#10-32 LOCKNUT	2	2	2	2	2	2
#4-40 x 1/4 SCREW	1	1	1	1	1	1
BRACKET	1	1	1	1	1	1



Left Side HMI Prop Arm Kit Mounting Instructions

1. Mount Prop Kit to the small frame hole as shown.
2. Attach Prop Kit Assembly to HMI Cover by screwing it into the cover with a #10-32 X 1/2" Screw.
Hardware Torque Specifications 25-30 in-lbs.

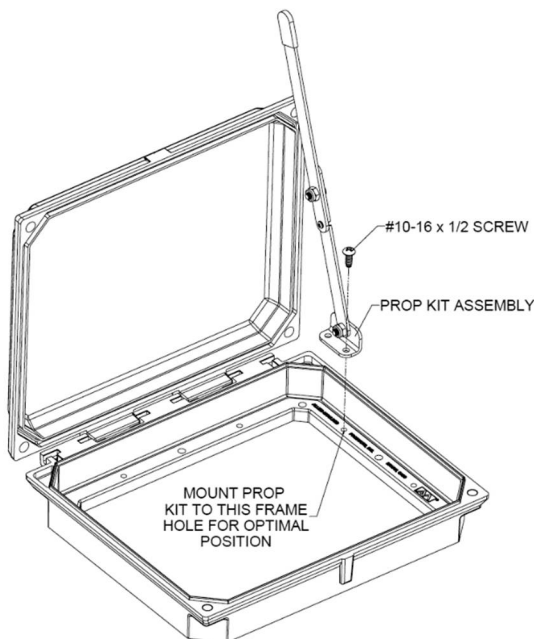
NOTE: For optimal positioning, mount the Prop Arm Kit to the frame hole as shown.



Right Side HMI Prop Arm Kit Mounting Instructions

1. Mount Prop Kit to the small frame hole as shown.
2. Attach Prop Kit Assembly to HMI Cover by screwing it into the cover with a #10-32 X 1/2" Screw.
Hardware Torque Specifications 25-30 in-lbs.

NOTE: For optimal positioning, mount the Prop Arm Kit to the frame hole as shown.



Allied Moulded Products, Inc.
 222 North Union Street • Bryan, Oh 43506
 Phone: 1-800-722-2679 • Fax: 1-800-237-7269
www.alliedmoulded.com