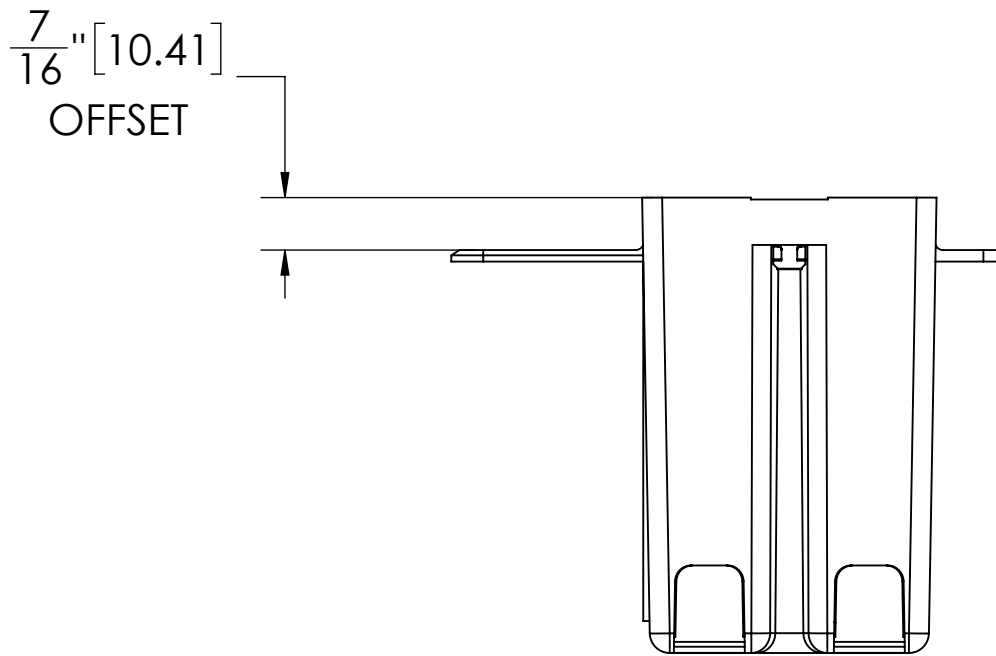
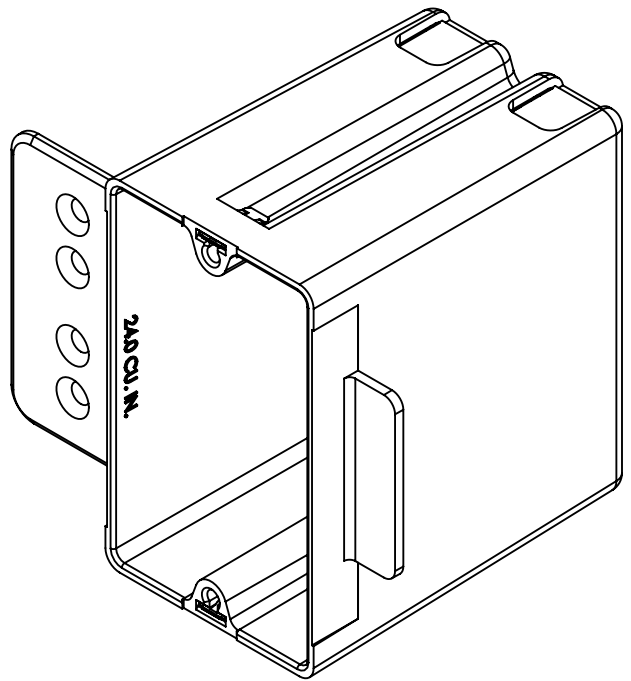
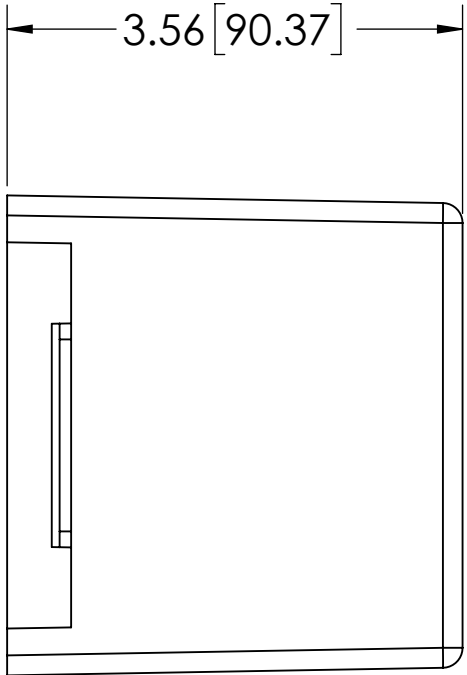
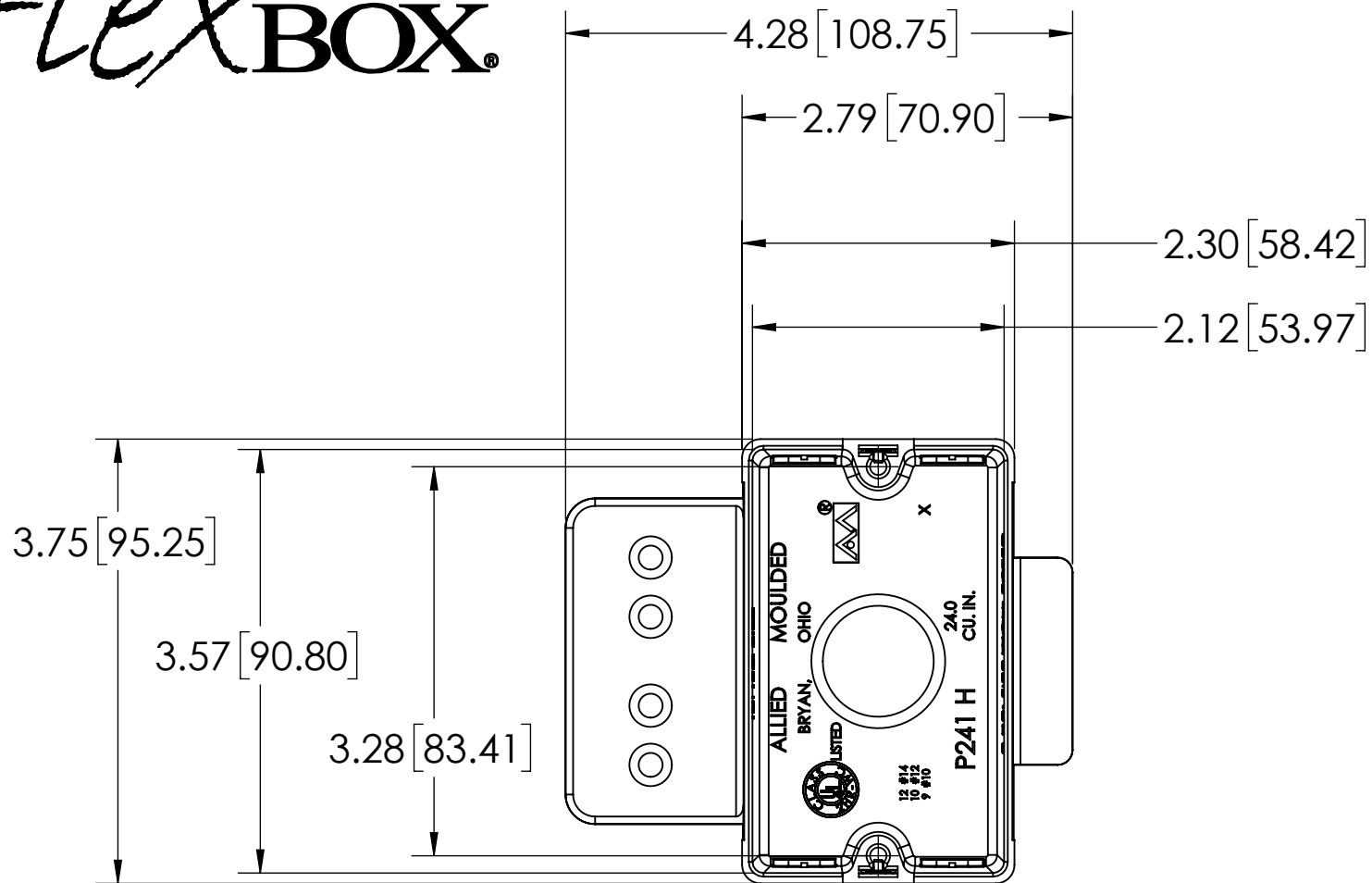


*flex*BOX[®]



- NOTES:**
- 1.) BOX MATERIAL: POLYCARBONATE, QUICK THREAD MATERIAL: GALVANIZED STEEL
 - 2.) ACCEPTS LVP-2 LOW VOLTAGE PARTITION
 - 3.) DATA SUBJECT TO CHANGE WITHOUT NOTICE

 **ALLIED MOULDED PRODUCTS**
BRYAN, OHIO
The Original Fiber Glass Outlet Box

PRODUCT SERIES
SINGLE GANG 24. CU. IN.

CONFIDENTIAL
THIS MATERIAL IS OWNED BY THE ALLIED MOULDED PRODUCTS COMPANY, IS DISCLOSED IN CONFIDENCE, AND IS NOT TO BE REPRODUCED OR DISTRIBUTED WITHOUT PRIOR WRITTEN PERMISSION FROM ALLIED MOULDED PRODUCTS.

Part No.
P-241HQ