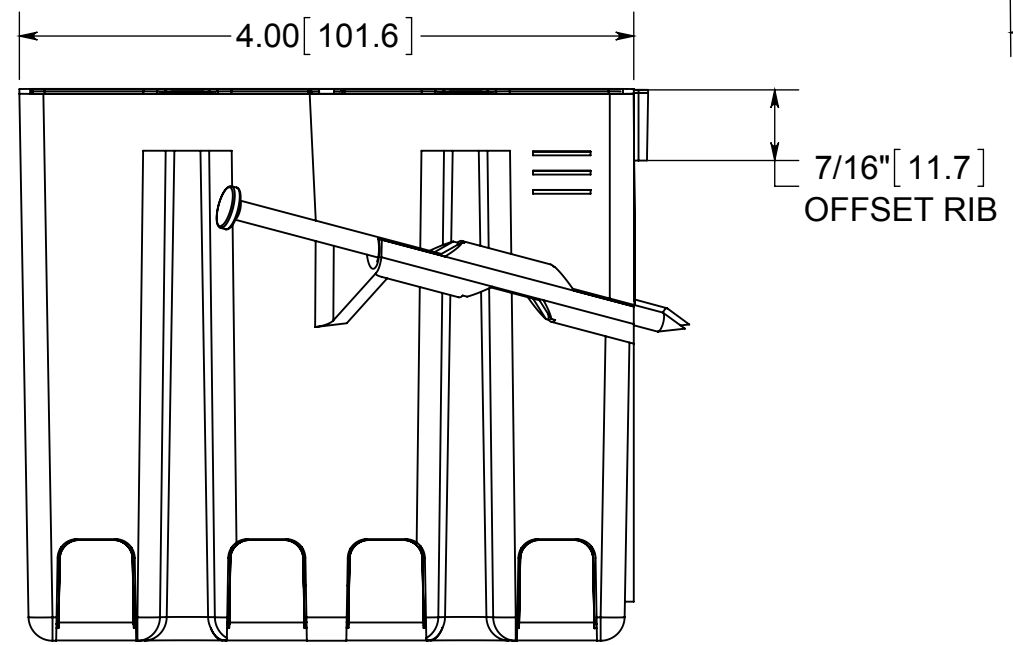
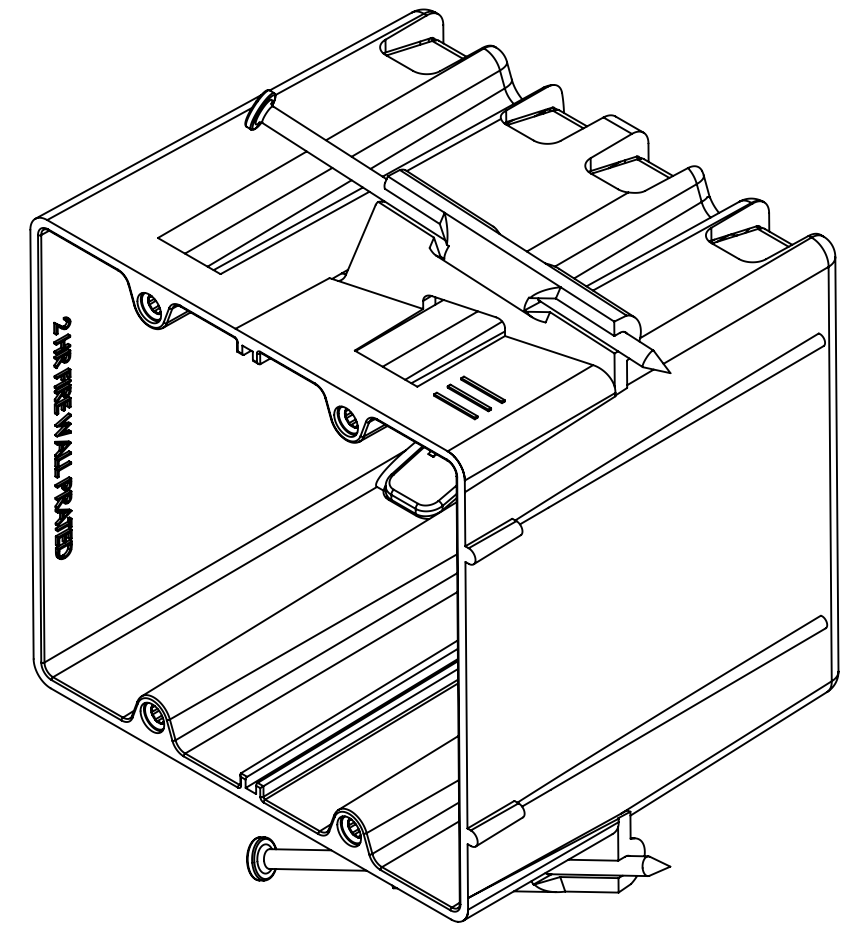
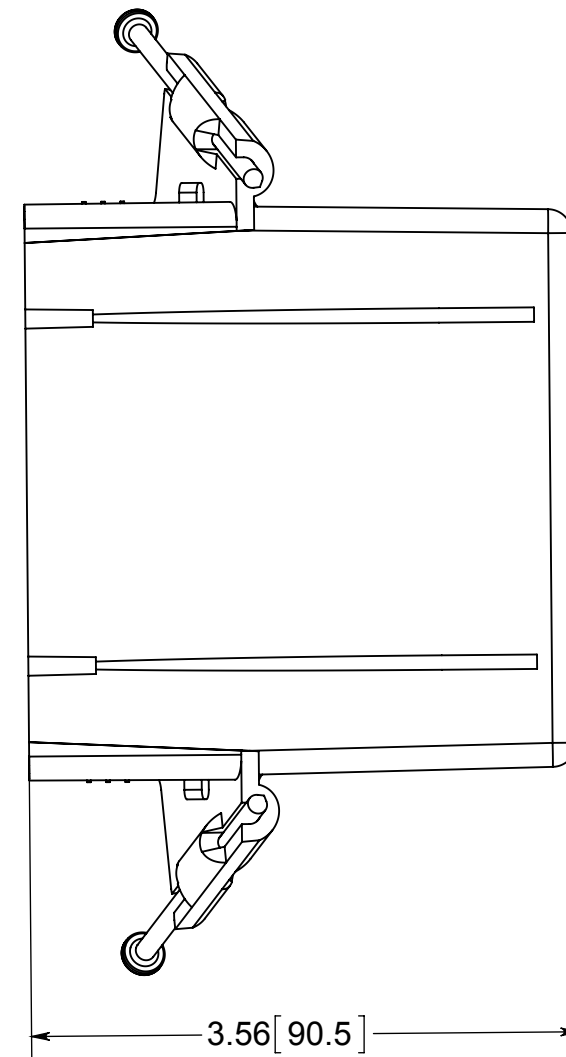
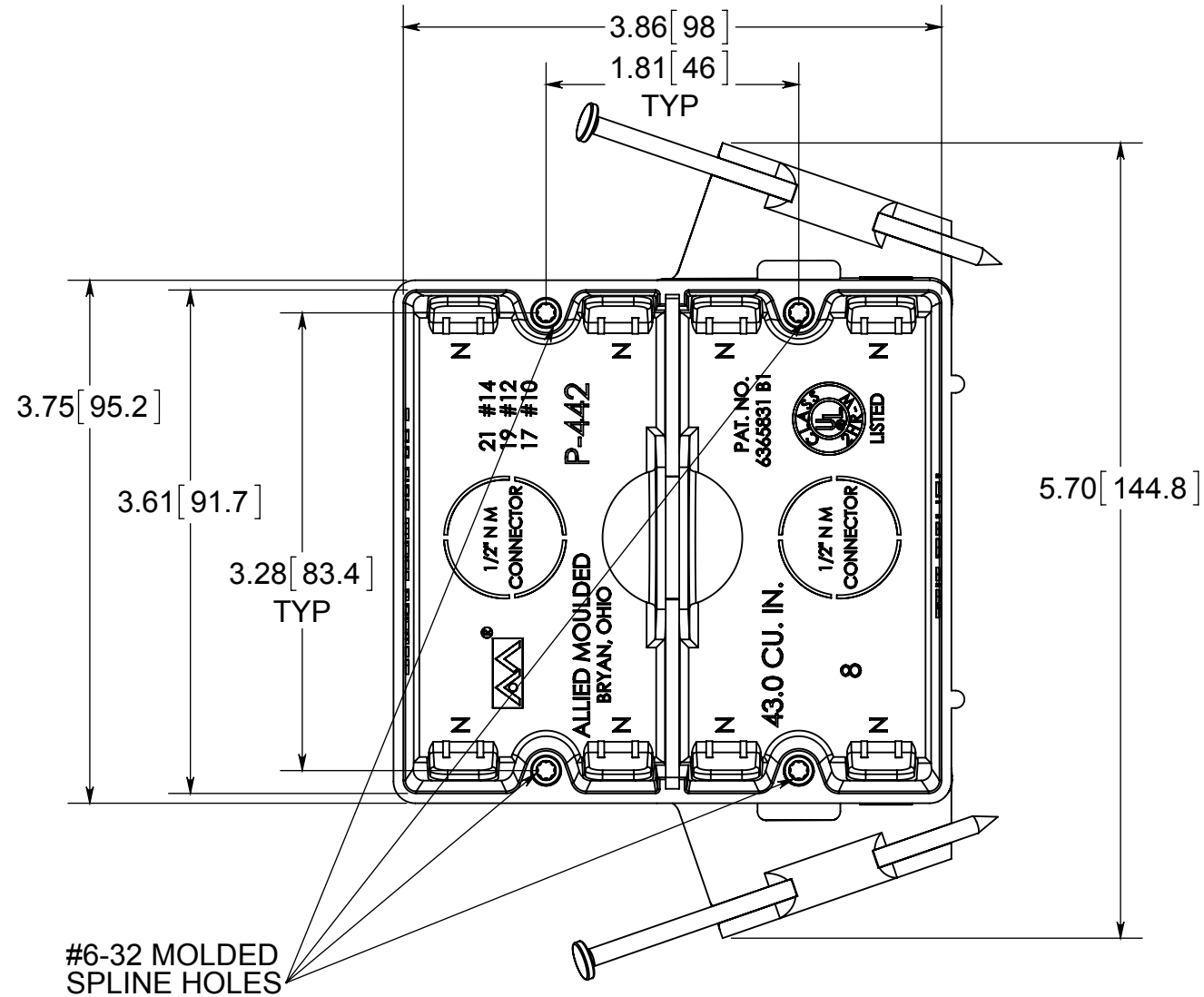
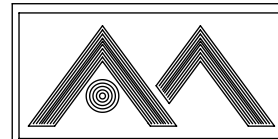


flexBOX[®]

ISSUE DATE: 05/15/2015



- NOTES:
 1.) BOX MATERIAL: POLYCARBONATE, NAIL MATERIAL: PLATED CARBON STEEL
 2.) UL LISTED WITH 2 HOUR FIRE RATING FOR WALL
 3.) ACCEPTS LVP-2 LOW VOLTAGE PARTITION



ALLIED MOULDED PRODUCTS
 BRYAN, OHIO

The Original Fiber Glass Outlet Box

PRODUCT SERIES

TWO GANG 43.0 CU. IN.

Part No.

P-442

CONFIDENTIAL
 THIS MATERIAL IS OWNED BY THE ALLIED MOULDED PRODUCTS COMPANY, IS DISCLOSED IN CONFIDENCE, AND IS NOT TO BE REPRODUCED OR DISTRIBUTED WITHOUT PRIOR WRITTEN PERMISSION FROM ALLIED MOULDED PRODUCTS.