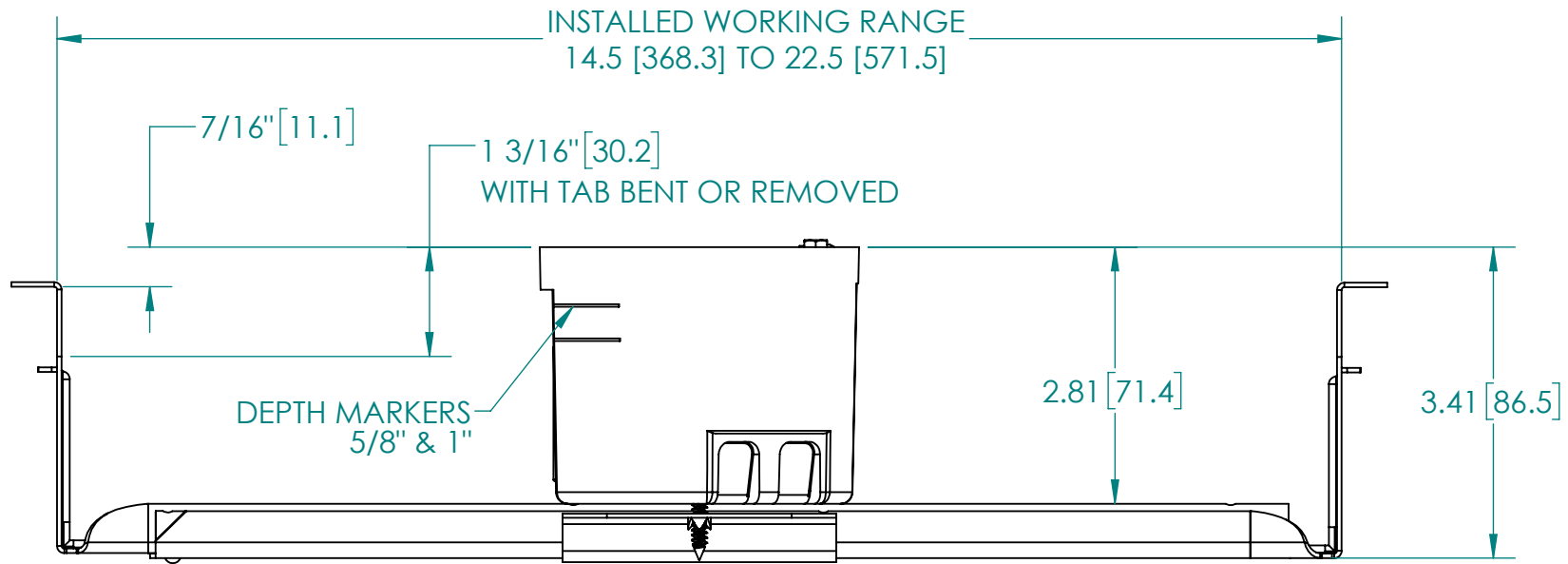
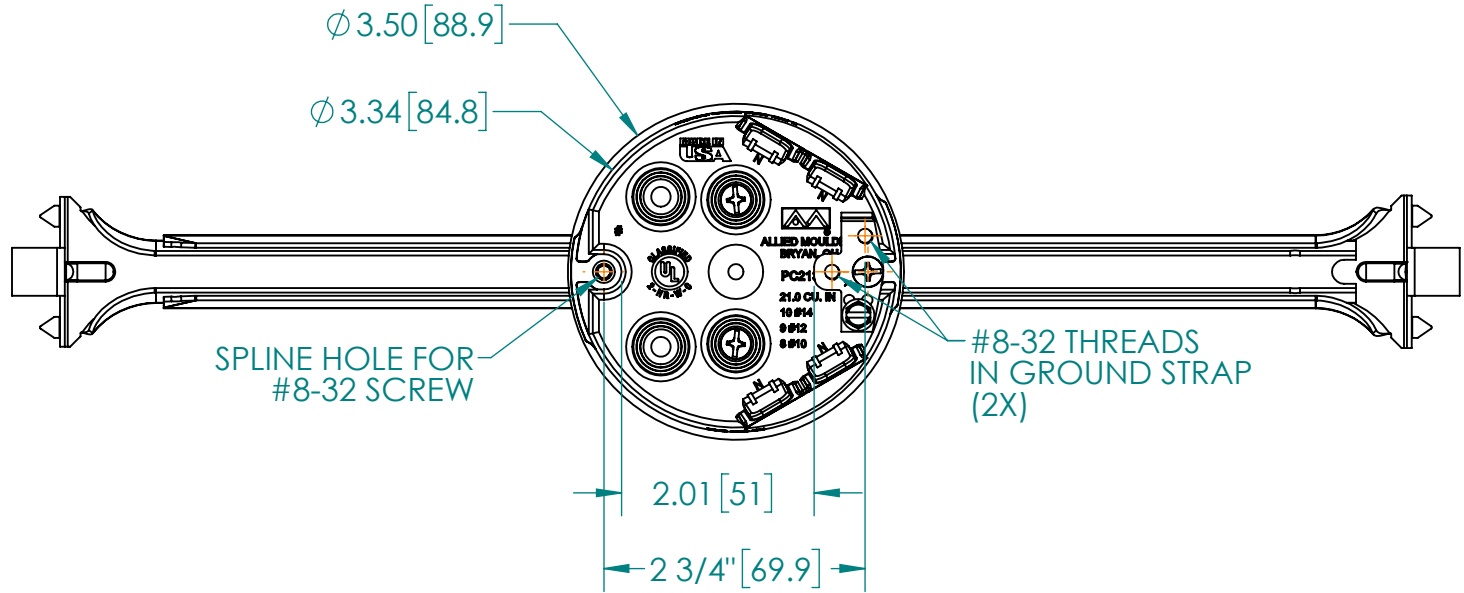
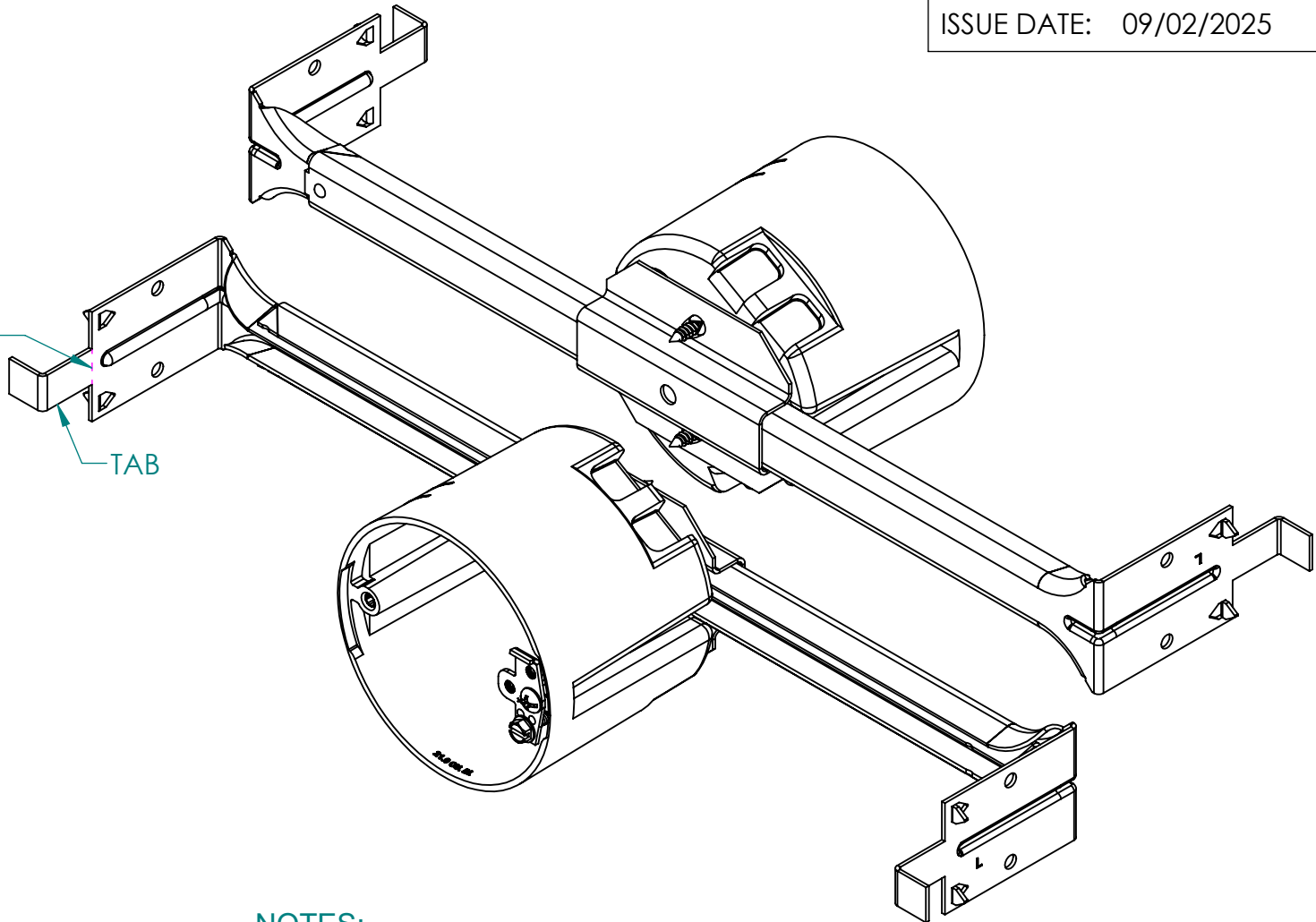


# AlexBOX<sup>®</sup>

FOR DOUBLE DRYWALL APPLICATIONS  
BEND OR REMOVE TABS AT THIS LOCATION



**NOTES:**

- MATERIALS:**  
 BOX MATERIAL: POLYCARBONATE  
 BAR MATERIAL: GALVANIZED STEEL  
 BAR MOUNTING BRACKET MATERIAL: GALVANIZED STEEL  
 MOUNTING BRACKET SCREW MATERIAL: ZINC PLATED STEEL  
 GROUND STRAP MATERIAL: GALVANIZED STEEL  
 GROUND SCREW MATERIAL: GREEN ZINC PLATED STEEL  
 GROUND STRAP MOUNTING SCREW MATERIAL: ZINC PLATED STEEL
- UL LISTED WITH 2 HOUR FIRE RATING FOR WALL AND CEILING.
- DIMENSIONS ARE FOR REFERENCE ONLY AND SUBJECT TO CHANGE WITHOUT NOTICE.



PRODUCT SERIES **3.5" ROUND – 21.0 CU IN W/ BAR & GROUND**

**CONFIDENTIAL**  
 THIS MATERIAL IS OWNED BY THE ALLIED MOULDED PRODUCTS COMPANY, IS DISCLOSED IN CONFIDENCE AND IS NOT TO BE REPRODUCED OR DISTRIBUTED WITHOUT PRIOR WRITTEN PERMISSION FROM ALLIED MOULDED PRODUCTS.  
 © 2018 Allied Moulded Products, Inc. All Rights Reserved

Part No. **PC213-BHG**