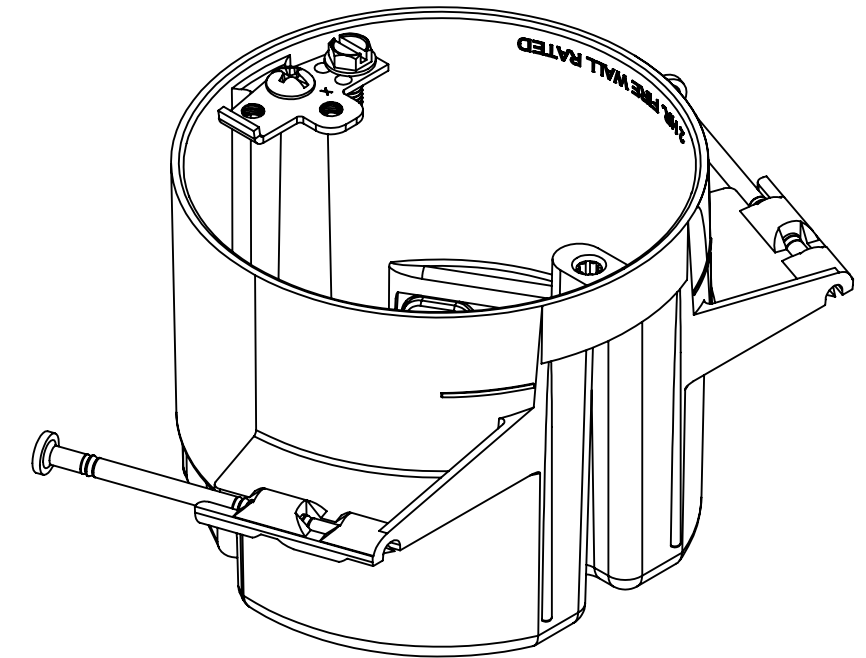
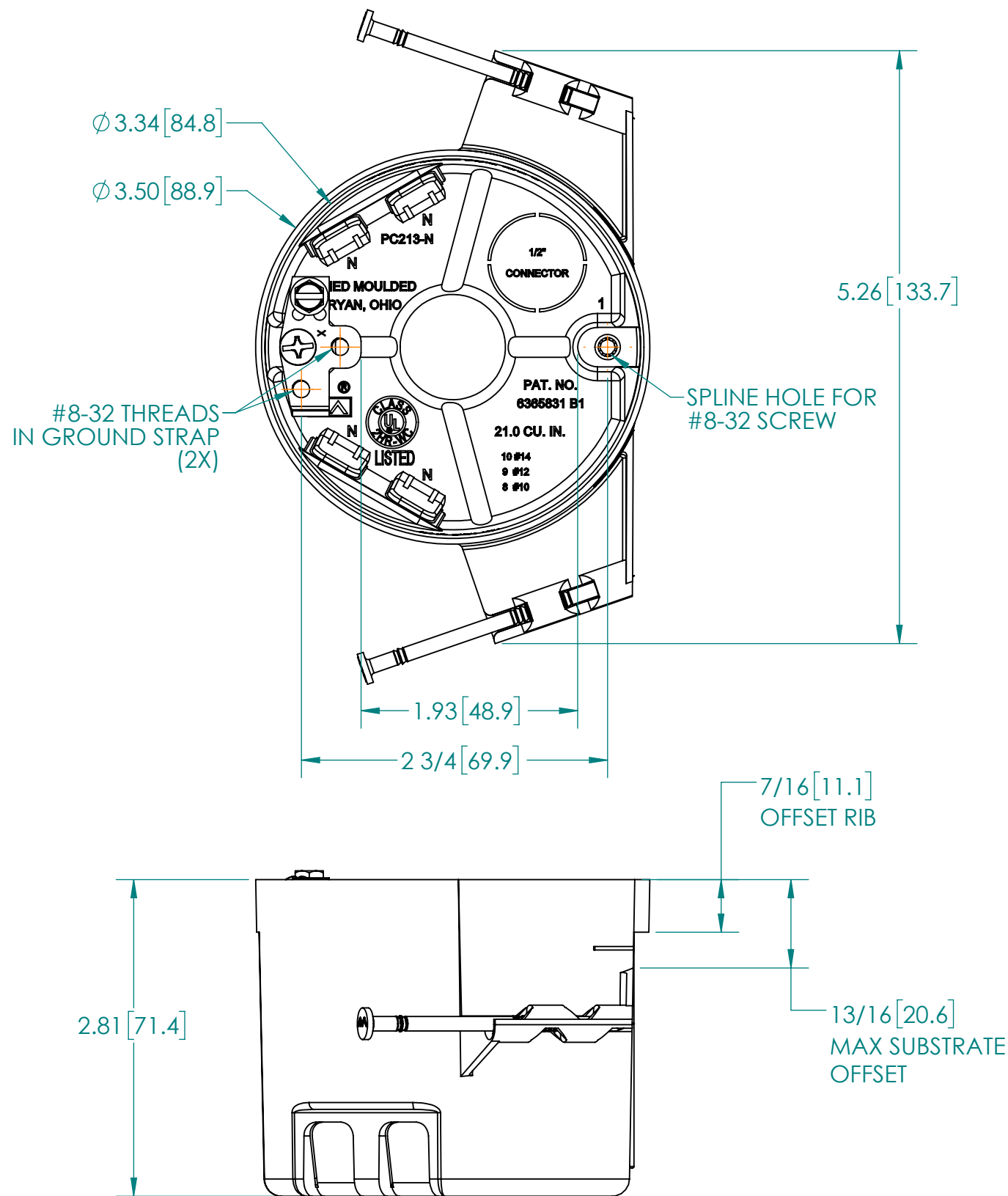


# AlexBOX<sup>®</sup>

ISSUE DATE: 09/02/2025



**NOTES:**

- 1. MATERIALS:**  
 BOX: POLYCARBONATE  
 NAILS: PLATED CARBON STEEL  
 GROUND STRAP: GALVANIZED STEEL  
 GROUND SCREW: GREEN ZINC PLATED STEEL  
 GROUND STRAP MOUNTING SCREW: ZINC PLATED STEEL
- 2. UL LISTED WITH 2 HOUR FIRE RATING FOR WALL AND CEILING.**
- 3. DIMENSIONS ARE FOR REFERENCE ONLY AND SUBJECT TO CHANGE WITHOUT NOTICE.**

 **ALLIED MOULDED PRODUCTS**  
 BRYAN, OHIO  
 The Original Fiber Glass Outlet Box

PRODUCT SERIES  
 3.5" ROUND – 21.0 CU IN  
 W/ NAILS & GROUND

Part No.  
**PC213-NG**

**CONFIDENTIAL**  
 THIS MATERIAL IS OWNED BY THE ALLIED MOULDED PRODUCTS COMPANY, IS DISCLOSED IN CONFIDENCE AND IS NOT TO BE REPRODUCED OR DISTRIBUTED WITHOUT PRIOR WRITTEN PERMISSION FROM ALLIED MOULDED PRODUCTS.  
 © Allied Moulded Products, Inc.  
 2018 All Rights Reserved