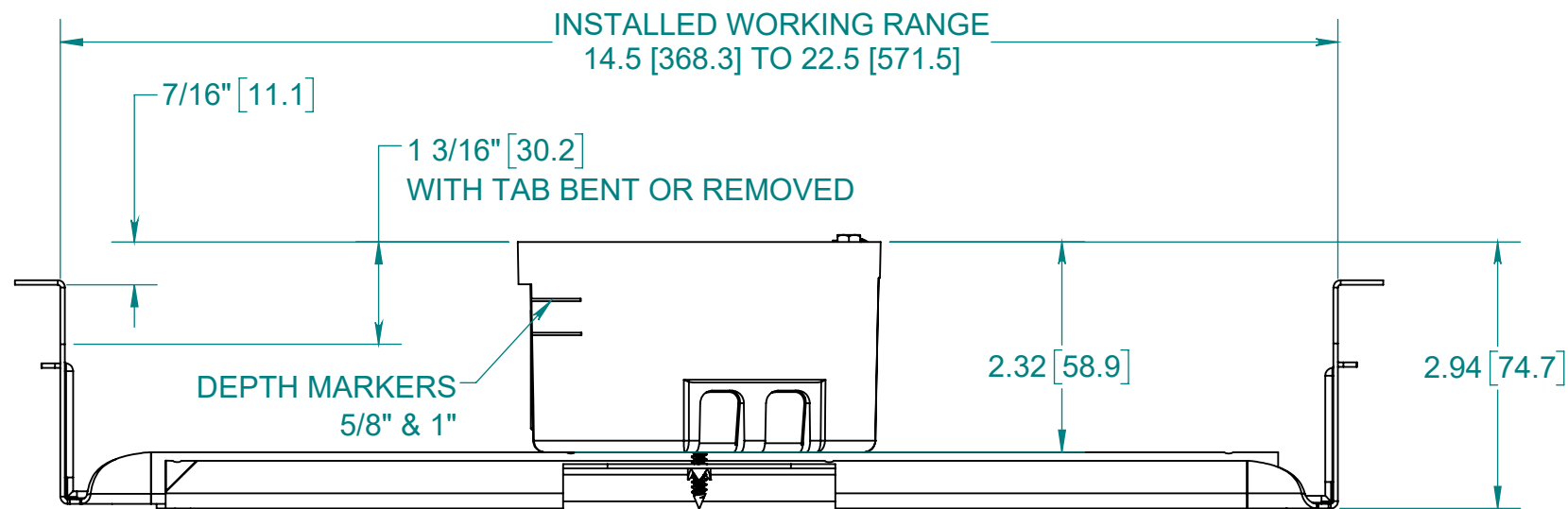
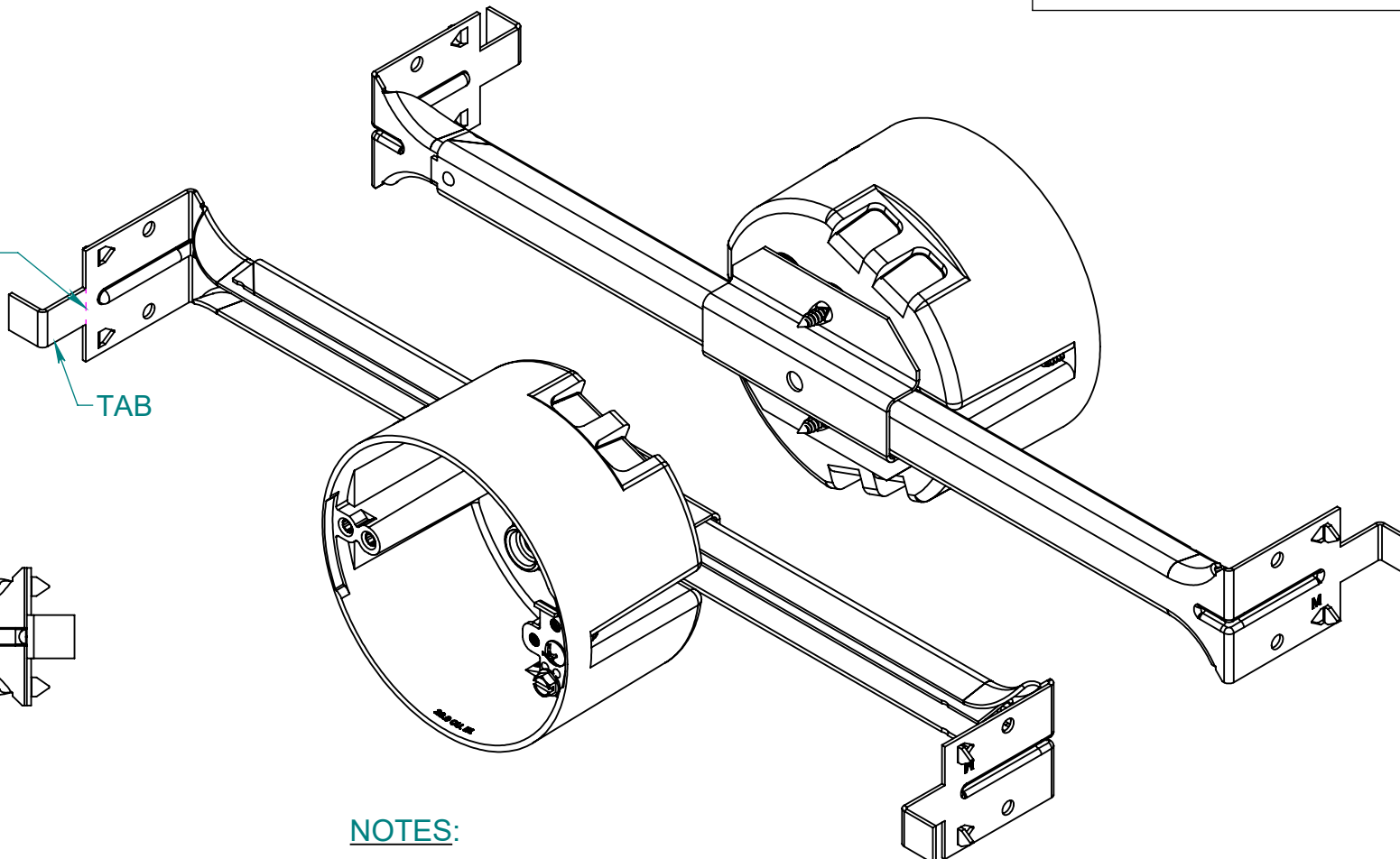
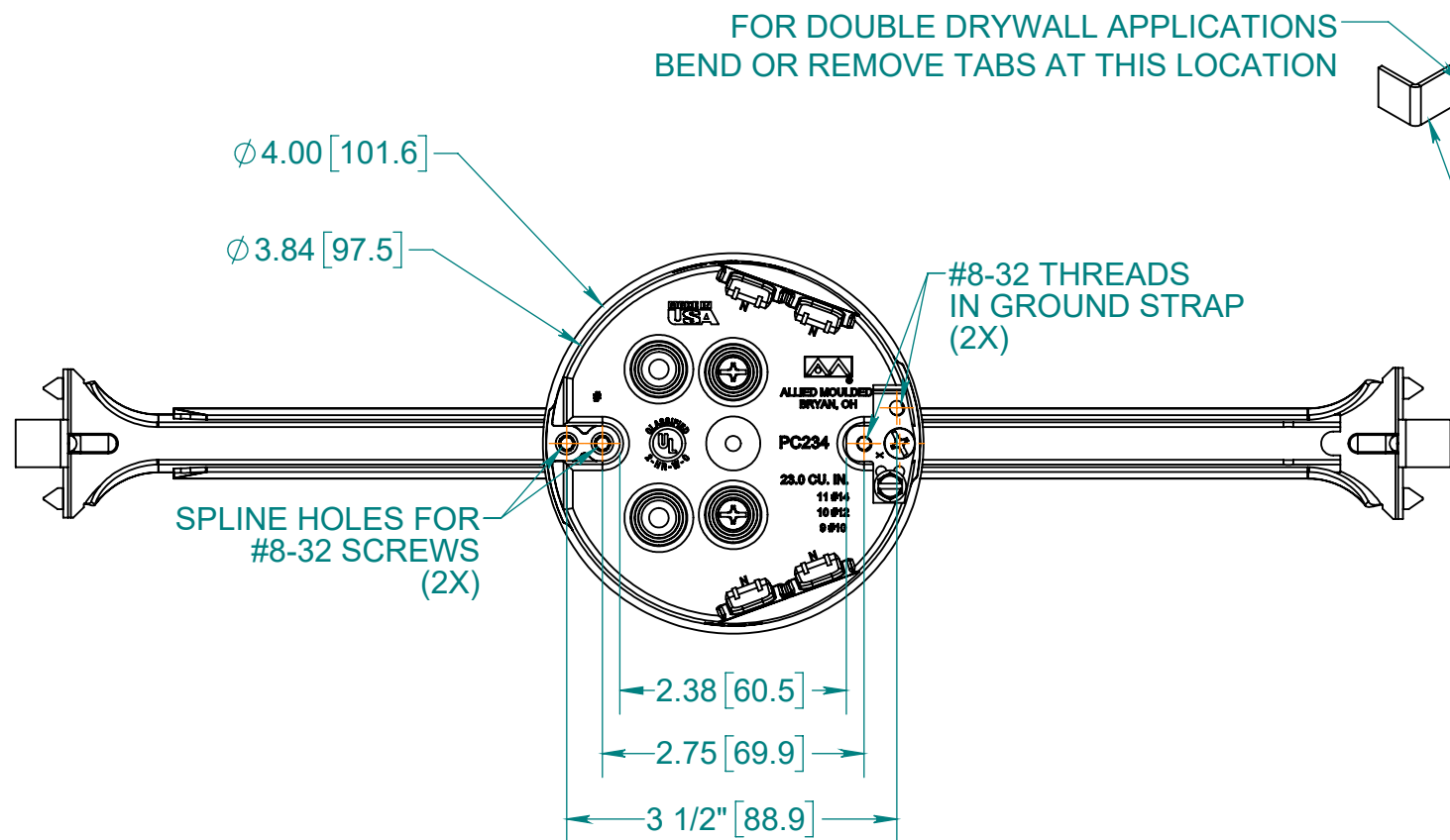


flexBOX®

ISSUE DATE: 09/02/2025



NOTES:

1. MATERIALS:
 BOX MATERIAL: POLYCARBONATE
 BAR MATERIAL: GALVANIZED STEEL
 BAR MOUNTING BRACKET MATERIAL: GALVANIZED STEEL
 MOUNTING BRACKET SCREW MATERIAL: ZINC PLATED STEEL
 GROUND STRAP MATERIAL: GALVANIZED STEEL
 GROUND SCREW MATERIAL: GREEN ZINC PLATED STEEL
 GROUND STRAP MOUNTING SCREW MATERIAL: ZINC PLATED STEEL
2. UL LISTED WITH 2 HOUR FIRE RATING FOR WALL AND CEILING.
3. DIMENSIONS ARE FOR REFERENCE ONLY AND SUBJECT TO CHANGE WITHOUT NOTICE.



PRODUCT SERIES 4" ROUND - 23.0 CU IN
W/ BAR & GROUND

Part No.

PC234-BHG

CONFIDENTIAL
 THIS MATERIAL IS OWNED BY THE ALLIED MOULDED PRODUCTS COMPANY, IS DISCLOSED IN CONFIDENCE AND IS NOT TO BE REPRODUCED OR DISTRIBUTED WITHOUT PRIOR WRITTEN PERMISSION FROM ALLIED MOULDED PRODUCTS.
 © 2018 Allied Moulded Products, Inc.
 All Rights Reserved