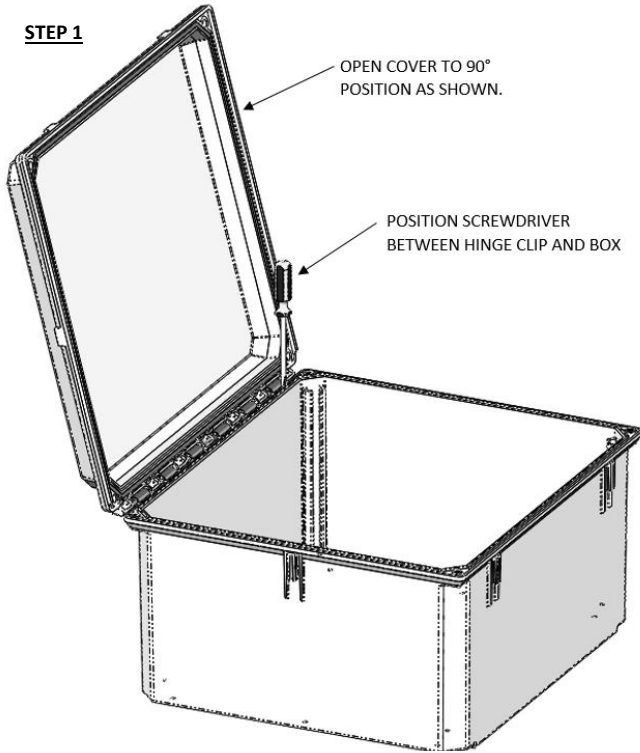




Instructions for Removing Hinge Clips for Cover Removal

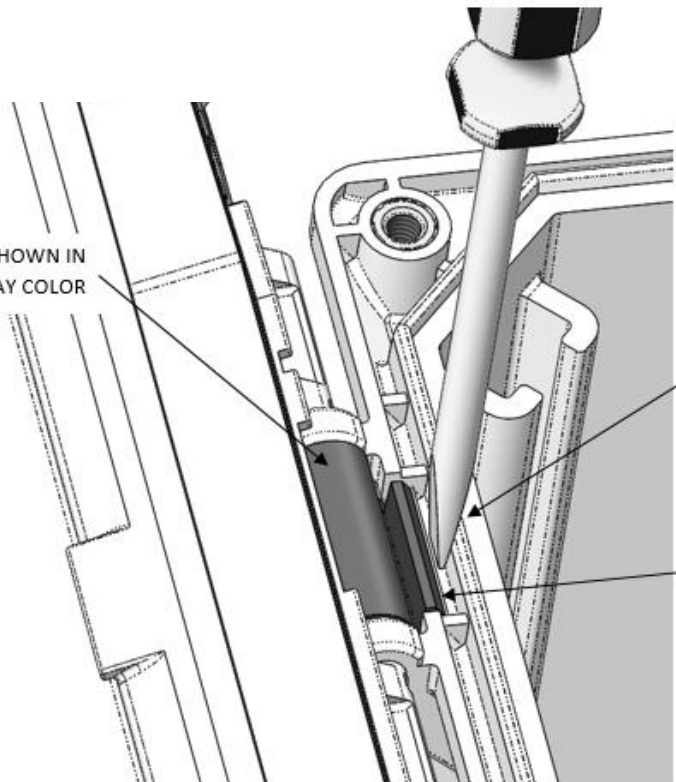
NOTE: Flat Blade Screw Driver or similar tool is required to remove hinge clips

1. Unlatch and open the Cover between 90° and 120°. (If the Cover is fully open, the hinge clips cannot be removed.)
2. Use the flat blade screwdriver and position the blade to disengage the clip as shown. The hinge clip will unseat when the screwdriver is rotated.
NOTE: The spring action of the hinge clip may cause the clip to unseat quickly. Place a hand or other means under the hinge clip to catch it during removal.
3. Collect the hinge clip that is removed and set aside for reinstallation.
4. Repeat steps 2 & 3 for each hinge clip.



STEP 2

HINGE CLIP SHOWN IN DARKER GRAY COLOR



Scan Code to Watch Video!



Instructions for Installing Hinge Clips on Nonmetallic Hinge

1. Align the Cover with the Box with the Cover oriented in the open position (open past the 120° position).

2. Line up the posts of the Cover hinge feature with the grooves on the Box hinge feature.

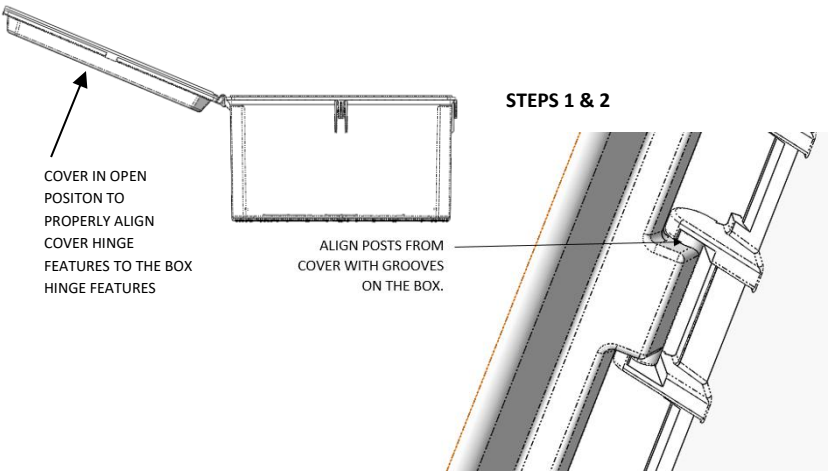
3. Push or Pull the Cover up to fully seat the posts in the grooves before closing the Cover.

4. Carefully close the cover and locate the hinge clips to be installed.

5. Insert the Hinge Clips in open slots along the hinge feature of the box.

6. Push the hinge clip into the fully seated position. There will be an audible snap when the hinge clip is seated.

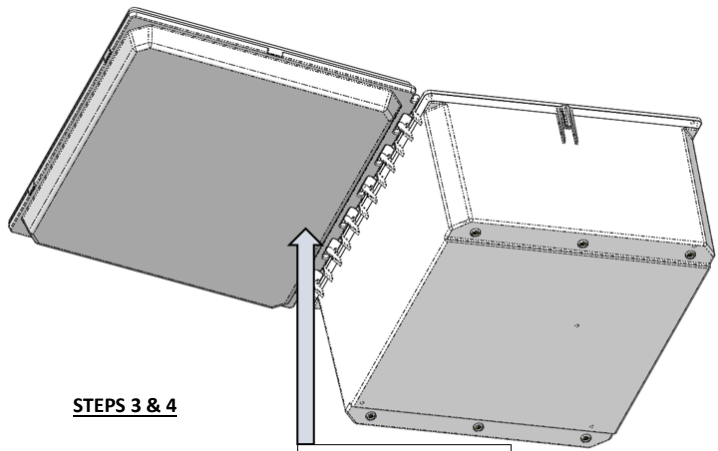
7. Repeat Step 6 for each hinge clip.



COVER IN OPEN POSITION TO PROPERLY ALIGN COVER HINGE FEATURES TO THE BOX HINGE FEATURES

ALIGN POSTS FROM COVER WITH GROOVES ON THE BOX.

STEPS 1 & 2

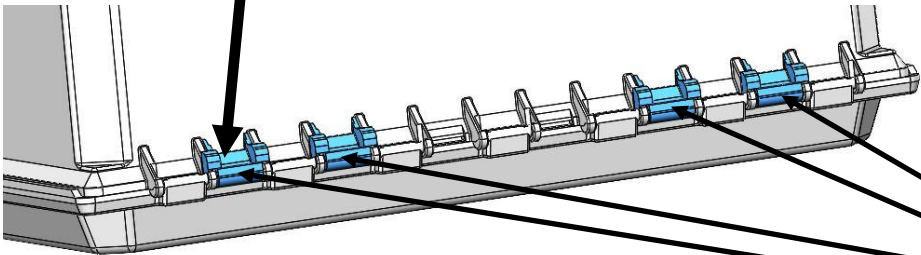


PUSH UP TO FULLY SEAT THE COVER HINGE POSTS INTO THE BOX HINGE GROOVES

STEPS 3 & 4

STEPS 5-7

THE HINGE CLIP WILL LAY IN THE POSITION AT AN ANGLE. SIMILAR TO IMAGE SHOWN. THE HINGE CLIP IS SEATED BY PUSHING IN TOWARDS THE BOX UNTIL THE AUDIBLE SNAP IS HEARD.



LOCATE HINGE CLIPS IN OPEN SPOTS ALONG THE HINGE FEATURE OF THE BOX

Allied Moulded Products, Inc.
222 North Union Street Bryan, OH 43506
Phone: 1-800-722-2679 Fax: 1-800-237-7269
www.alliedmoulded.com