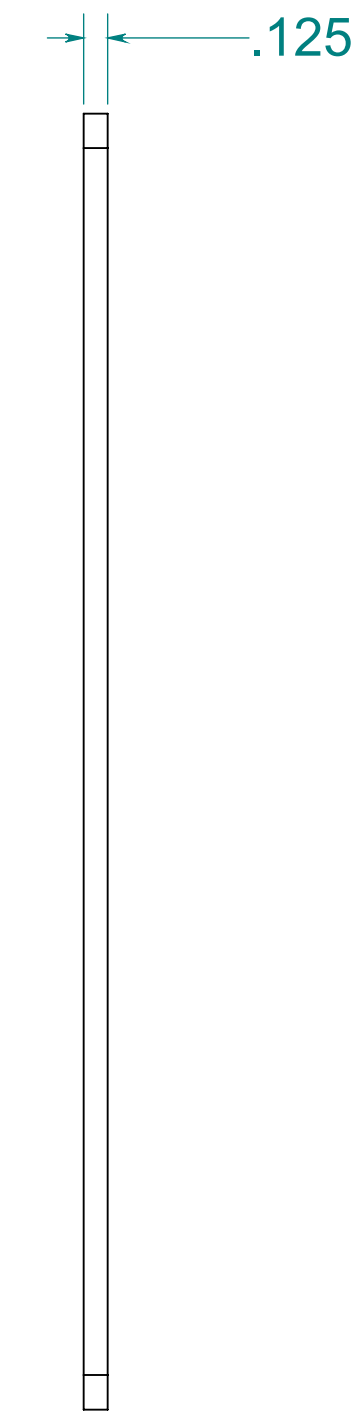
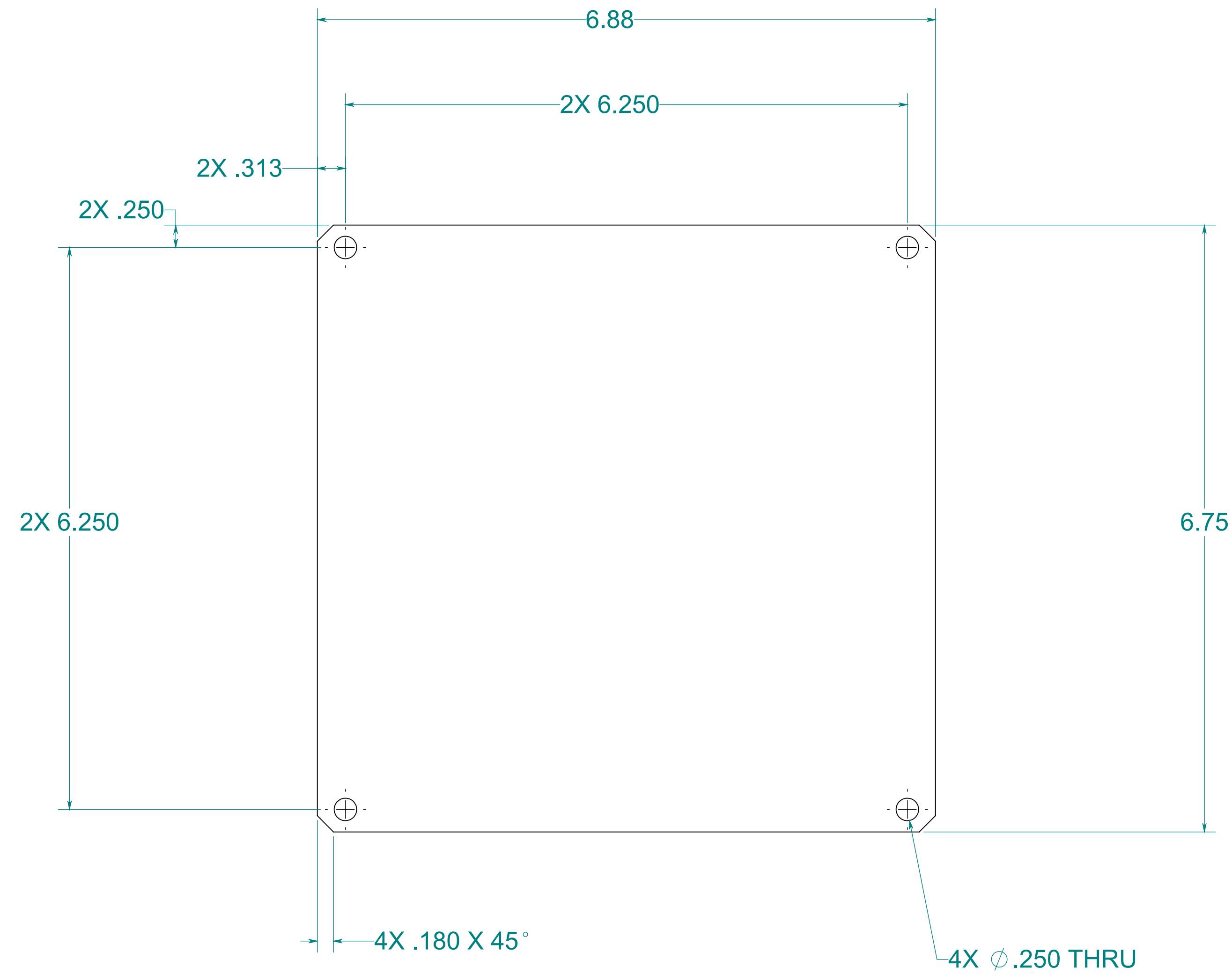



CONFIDENTIAL
 THIS MATERIAL IS OWNED BY THE ALLIED MOULDED PRODUCTS COMPANY. IT IS DISCLOSED IN CONFIDENCE AND IS NOT TO BE REPRODUCED OR DISTRIBUTED WITHOUT PRIOR WRITTEN PERMISSION FROM ALLIED MOULDED PRODUCTS.
 © 2017 Allied Moulded Products, Inc.
 All Rights Reserved

Date	Rev	Description	ECN No.	DR	CK	REL
-	+	-	-	-	-	-
07/09/2024	+	PRE-RELEASE	ECN-2753	DJL	BFB	RNT
-	-	-	-	-	-	-



NOTE:
 1. MATERIAL: WHITE FIBERGLASS REINFORCED POLYESTER

DRAWING STAMP	UNLESS OTHERWISE SPECIFIED: DIMENSIONS ARE IN INCHES	MOLD VERSION	PROJECT NO.	ASSET NO.	BOM PART NO.
TOLERANCES: .XX = ±.01 .XXX = ±.005 FRACTIONAL ± 1/64 ANGULAR ± 0°30'	STRAIGHTNESS &/OR FLATNESS: .005" MACHINED SURFACES: 125/125 OR BETTER PERPEND.: ⊥ .005" CONCEN.: Ⓢ .005"	D STANDARD SYMBOLS D+ = PLUS DRAFT D- = MINUS DRAFT M = MATCH DRILL 1 = 1° DRAFT 3 = 3° DRAFT S = STEEL SAFE	 ALLIED MOULDED PRODUCTS BRYAN, OHIO The Original Fiber Glass Outlet Box		
BACK PANEL, 8X8, FIBERGLASS DRAWN: DJL TEST CHECK: 06/24/2024 FINISH / HEAT TREAT:		SHEET 1 OF 1 DO NOT SCALE			CRIB NO.: FINISH NUMBER: 70-60843-3 REV: +