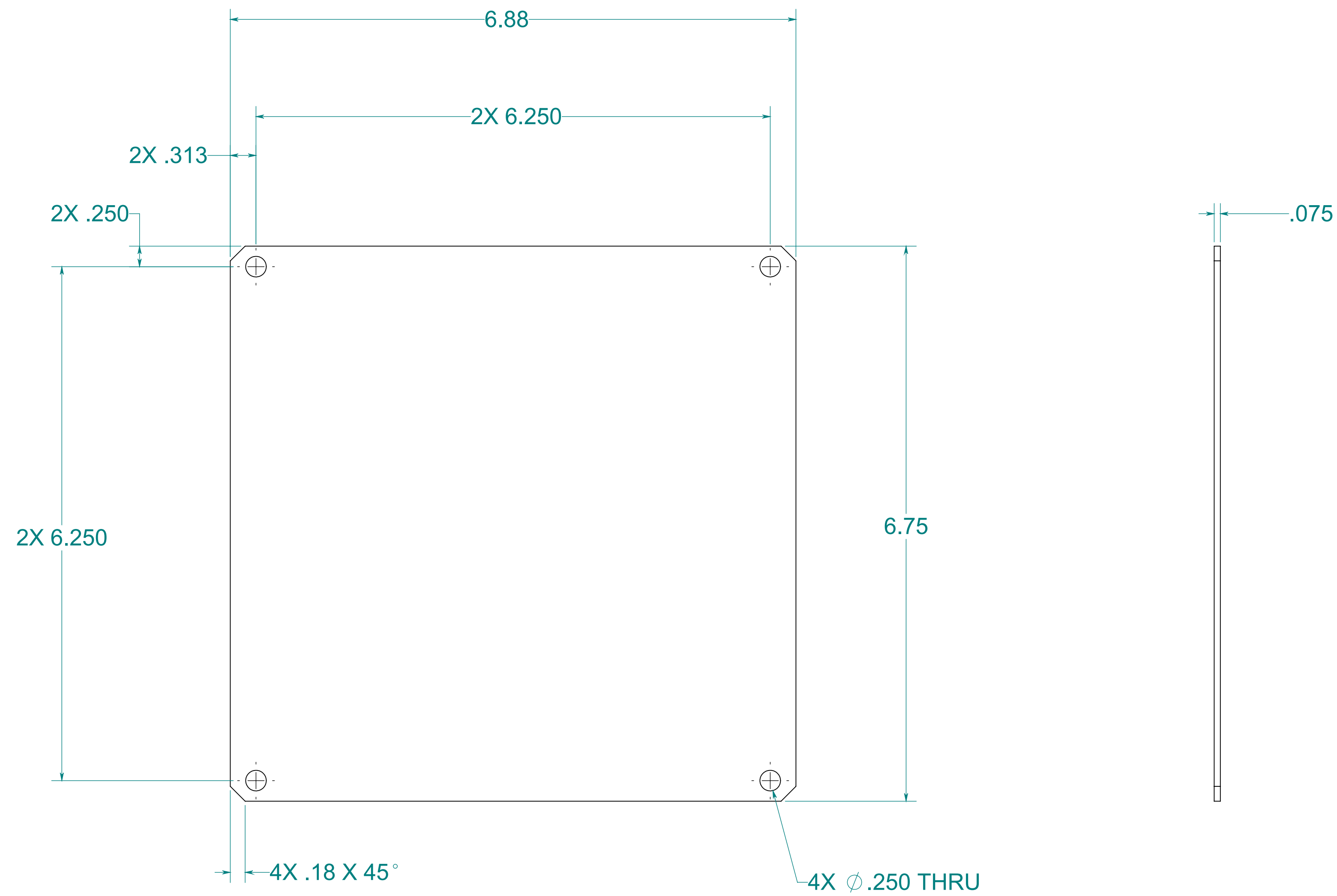
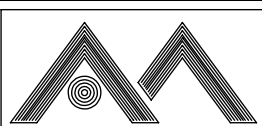


**CONFIDENTIAL**  
 THIS MATERIAL IS OWNED BY THE ALLIED MOULDED PRODUCTS COMPANY. IT IS DISCLOSED IN CONFIDENCE AND IS NOT TO BE REPRODUCED OR DISTRIBUTED WITHOUT PRIOR WRITTEN PERMISSION FROM ALLIED MOULDED PRODUCTS.  
 © 2017 Allied Moulded Products, Inc.  
 All Rights Reserved

Date	Rev	Description	ECN No.	DR	CK	REL
-	+	-	-	-	-	-
07/09/2024	+	PRE-RELEASE	ECN-2753	DJL	BFB	RNT
-	-	-	-	-	-	-



**NOTE:**  
 1. MATERIAL: GALVANNEALED 14 GAUGE STEEL.  
 2. REMOVE BURRS AND SHARP EDGES.

DRAWING STAMP	UNLESS OTHERWISE SPECIFIED: DIMENSIONS ARE IN INCHES	STANDARD SYMBOLS D+ = PLUS DRAFT D- = MINUS DRAFT M = MATCH DRILL 1 = 1" DRAFT 3 = 3" DRAFT S = STEEL SAFE	PROJECT NO.	ASSET NO.	BOM PART NO.
TOLERANCES: .XX = ±.01 .XXX = ±.005	STRAIGHTNESS &/OR FLATNESS: .005" MACHINED SURFACES: 125 OR BETTER	FRAC TIONAL ± 1/64 ANGULAR ± 0°30'	 <b>ALLIED MOULDED PRODUCTS</b> BRYAN, OHIO The Original Fiber Glass Outlet Box		
DESCRIPTION	BACK PANEL, 8X8, GALVANNEALED	DRAWN DJL	DATE 06/24/2024	MATERIAL	
1ST CHECK	RELEASED	2ND CHECK	FINISH / HEAT TREAT	PRINT NUMBER	REV
THIRD ANGLE PROJECTION	SHEET 1 OF 1 DO NOT SCALE	CRIB NO.:	70-60843-4		+