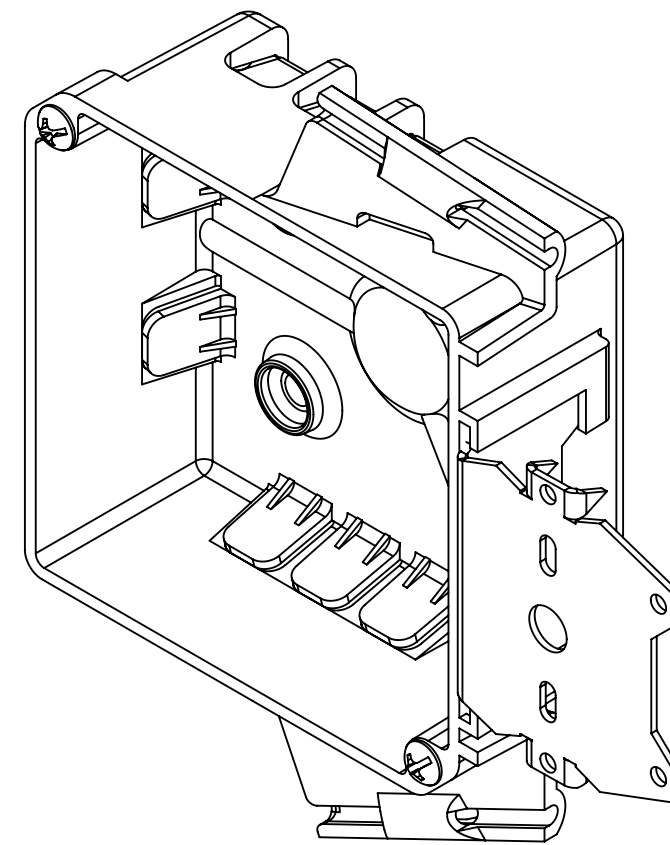
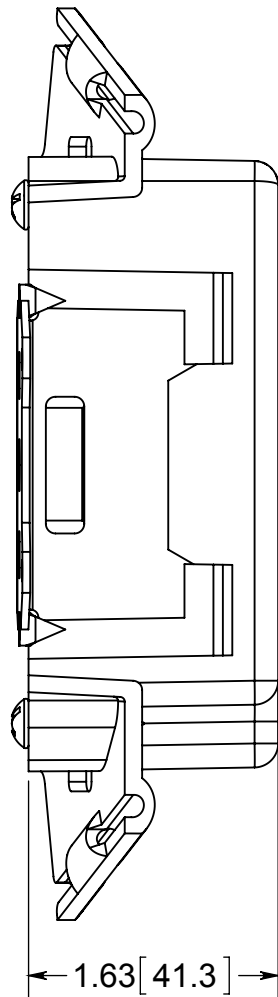
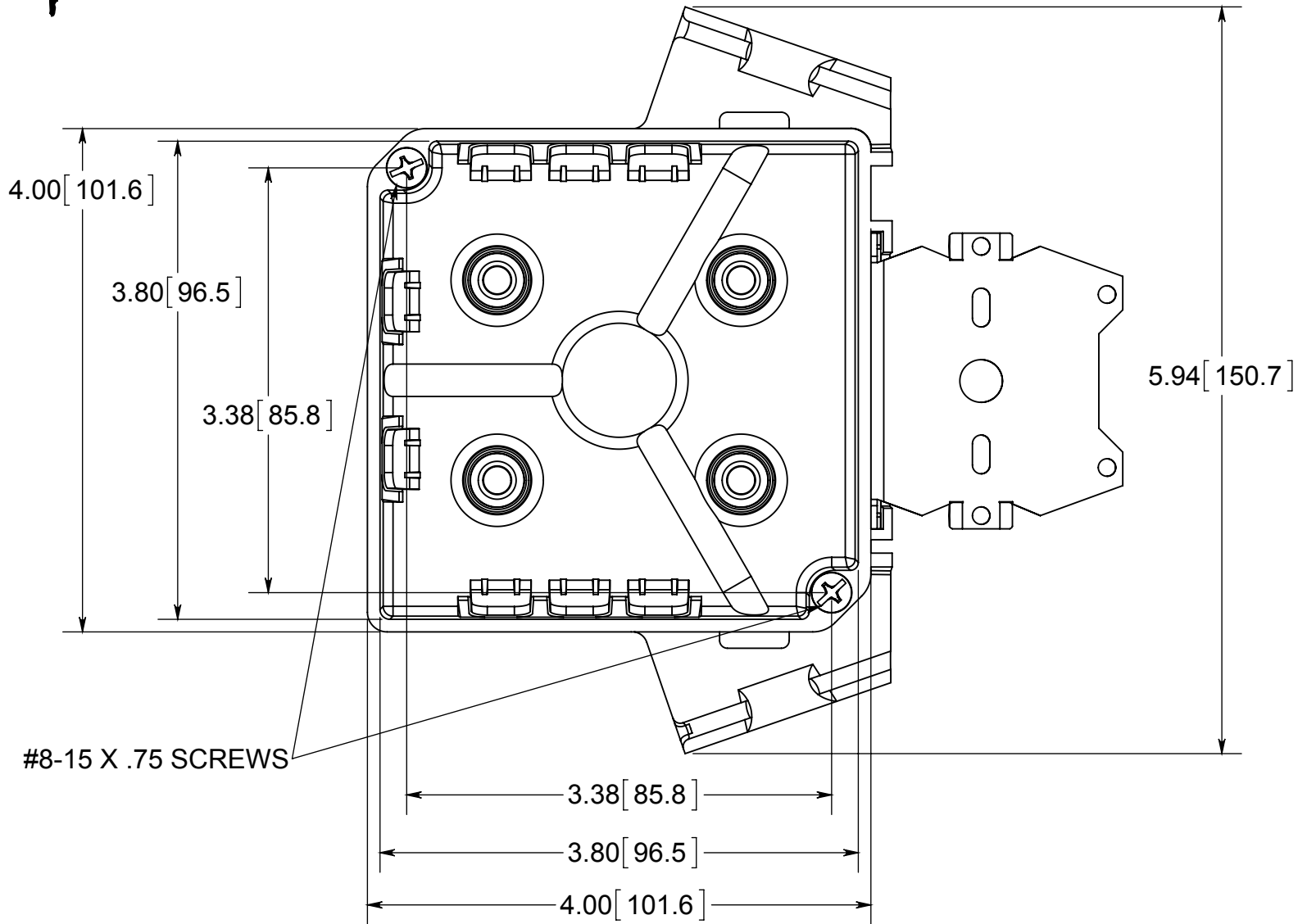
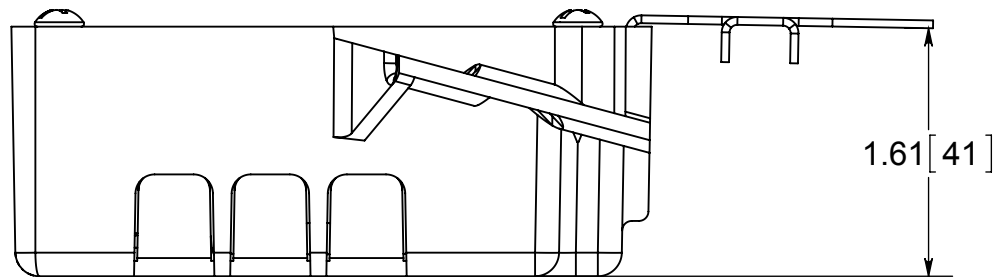


flexBOX®



- NOTES:
 1.) BOX MATERIAL: POLYCARBONATE, MOUNTING BRACKET MATERIAL: GALVANIZED STEEL, SCREW MATERIAL: ZINC PLATED STEEL
 2.) UL LISTED WITH 2 HOUR FIRE RATING FOR WALL



CONFIDENTIAL
 THIS MATERIAL IS OWNED BY THE ALLIED MOULDED PRODUCTS COMPANY, IS DISCLOSED IN CONFIDENCE, AND IS NOT TO BE REPRODUCED OR DISTRIBUTED WITHOUT PRIOR WRITTEN PERMISSION FROM ALLIED MOULDED PRODUCTS.

 **ALLIED MOULDED PRODUCTS**
 BRYAN, OHIO
 The Original Fiber Glass Outlet Box

PRODUCT SERIES
4" SQUARE 20.5 CU. IN.

Part No.
PJ-20H