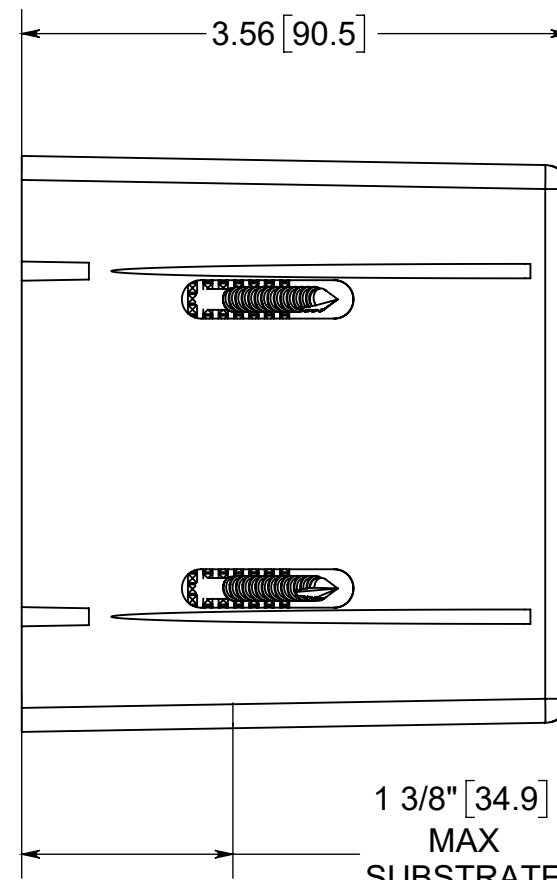
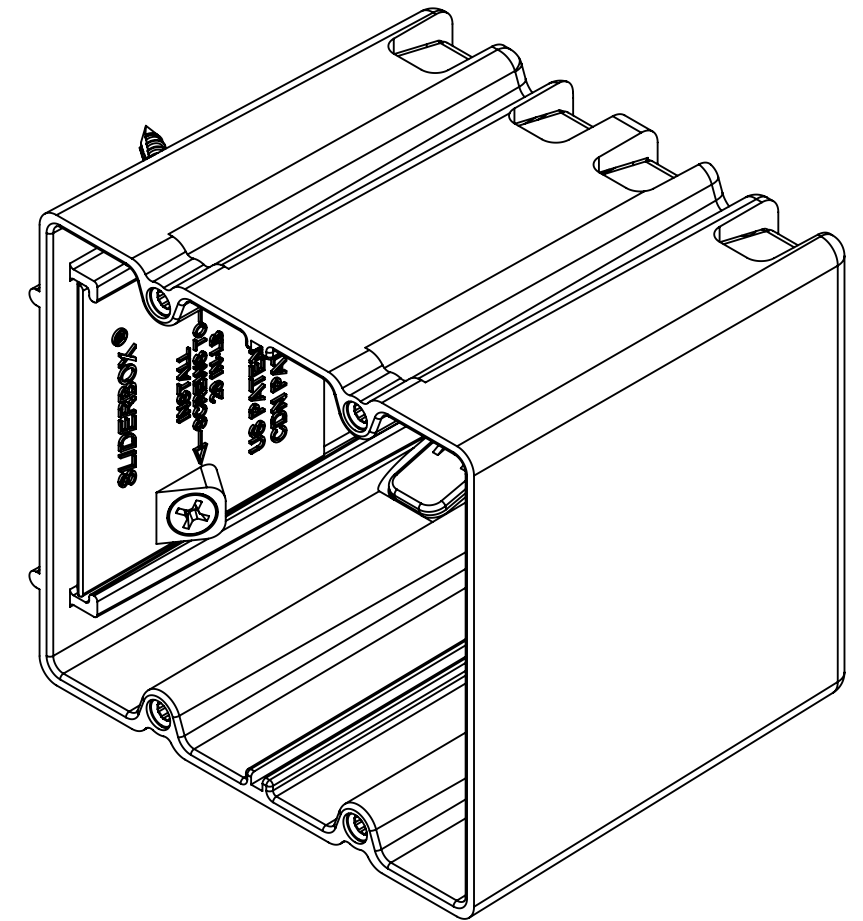


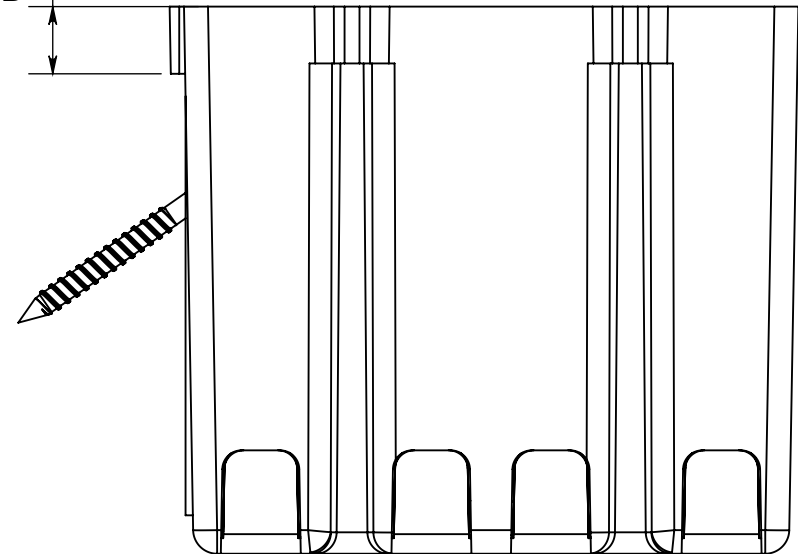
#6-32 MOLDED SPLINE HOLES



1 3/8" [34.9]
MAX
SUBSTRATE
OFFSET



7/16" [11.1]
OFFSET RIB



- NOTES:
- 1.) BOX MATERIAL: PC, SLIDER PLATE MATERIAL: PC, SCREW MATERIAL: PLATED CARBON STEEL
 - 2.) UL LISTED WITH 2 HOUR FIRE RATING FOR WALL
 - 3.) TWO 1/2" NM KNOCKOUT
 - 4.) ACCEPTS LVP-2 LOW VOLTAGE PARTITION



ALLIED MOULDED PRODUCTS
BRYAN, OHIO

The Original Fiber Glass Outlet Box

PRODUCT SERIES

ADJUSTABLE TWO GANG 42.0 CU.IN.

Part No.

SB-2

CONFIDENTIAL

THIS MATERIAL IS OWNED BY THE ALLIED MOULDED PRODUCTS COMPANY, IS DISCLOSED IN CONFIDENCE, AND IS NOT TO BE REPRODUCED OR DISTRIBUTED WITHOUT PRIOR WRITTEN PERMISSION FROM ALLIED MOULDED PRODUCTS.