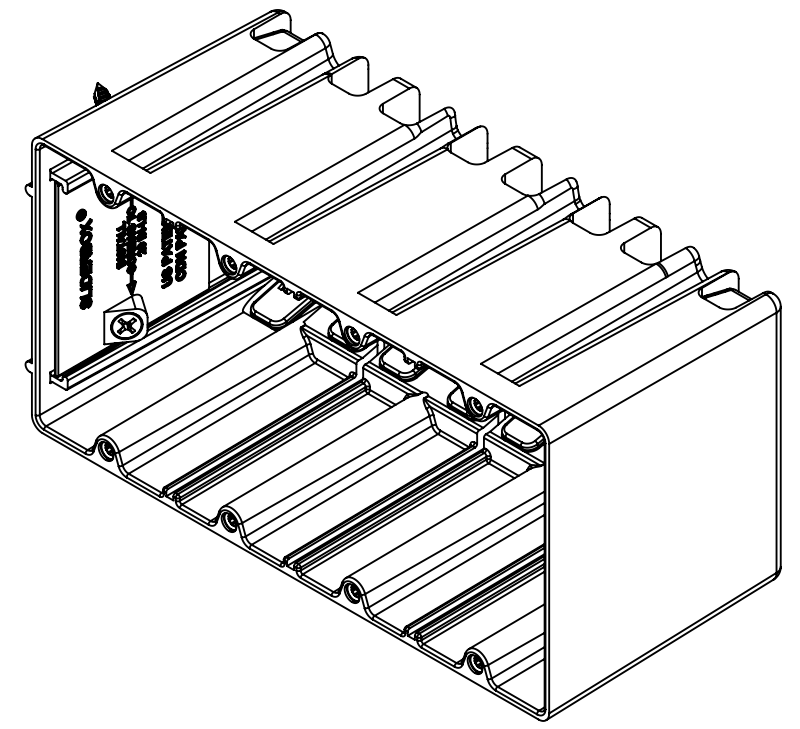
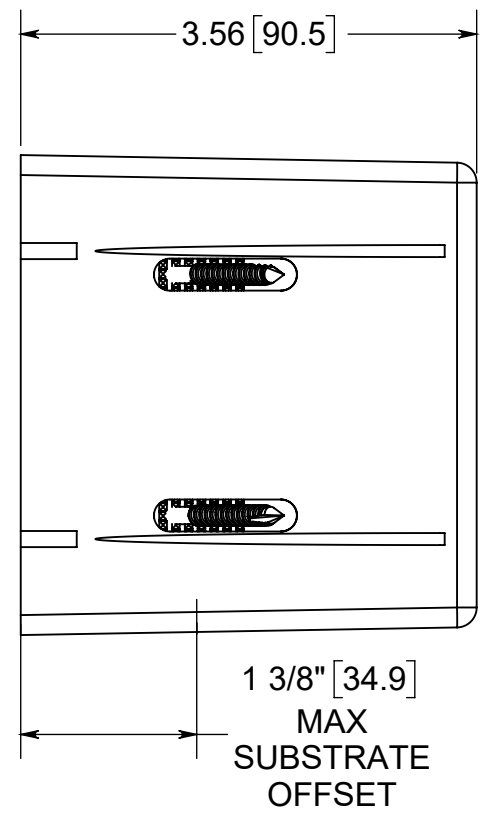
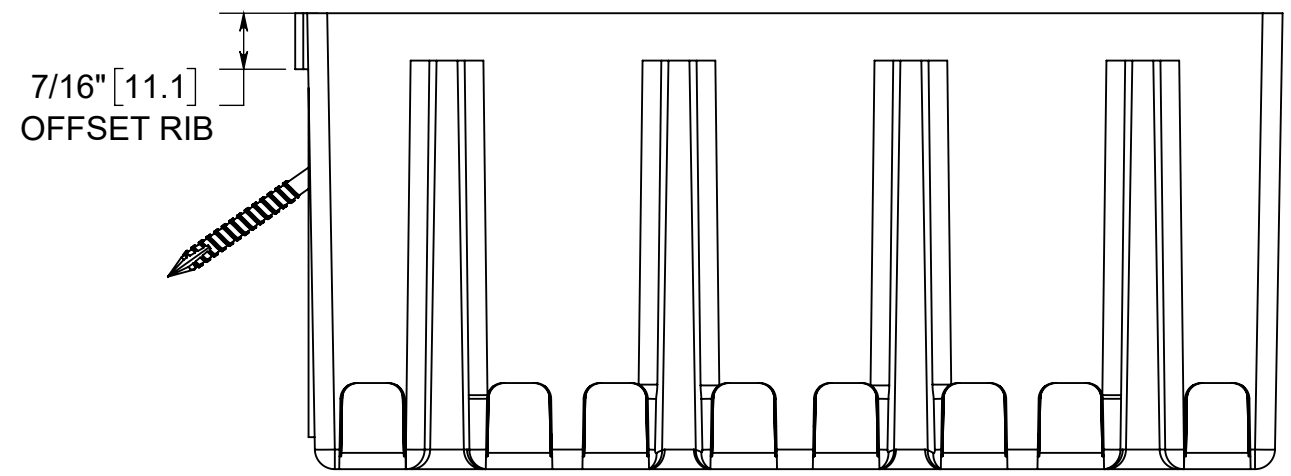


#6-32 MOLDED SPLINE HOLES



- NOTES:**
- 1.) BOX MATERIAL: PC, SLIDER PLATE MATERIAL: PC, SCREW MATERIAL: PLATED CARBON STEEL
  - 2.) TWO 1/2" NM KNOCKOUT
  - 3.) ACCEPTS LVP-2 LOW VOLTAGE PARTITION




**ALLIED MOULDED PRODUCTS**  
BRYAN, OHIO  
The Original Fiber Glass Outlet Box

PRODUCT SERIES  
**ADJUSTABLE FOUR GANG 74.8 CU.IN.**

**CONFIDENTIAL**  
THIS MATERIAL IS OWNED BY THE ALLIED MOULDED PRODUCTS COMPANY, IS DISCLOSED IN CONFIDENCE, AND IS NOT TO BE REPRODUCED OR DISTRIBUTED WITHOUT PRIOR WRITTEN PERMISSION FROM ALLIED MOULDED PRODUCTS.

Part No.  
**SB-4**